

174777-1 ✓ ACTIVE

[Positive Lock](#) | [Positive Lock 110](#)

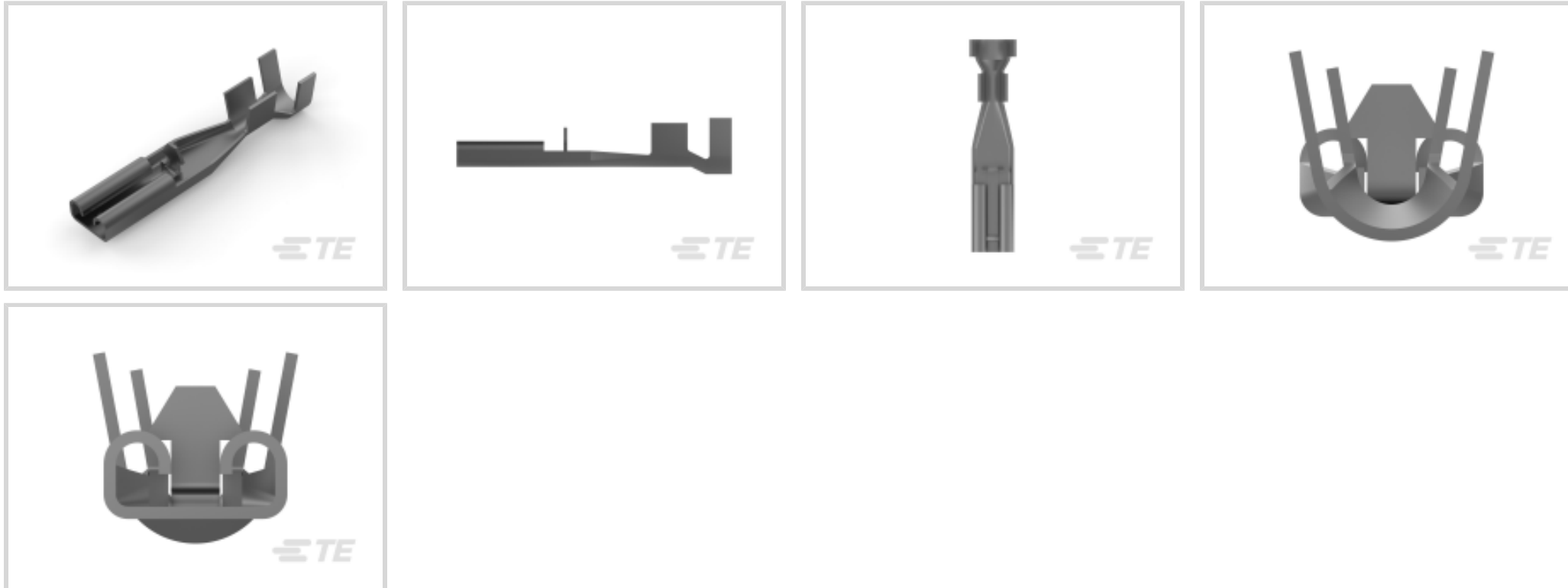
TE Internal #: 174777-1

Quick Disconnects, Receptacle, 20 – 16 AWG Wire Size, .51 – 1.31 mm<sup>2</sup> Wire Size, Mating Tab Width .11 in [2.8 mm], Straight, Brass, Positive Lock 110

[View on TE.com >](#)



Terminals & Splices > Quick Disconnects



Quick Disconnect Terminal Type: **Receptacle**

Wire Size: **.51 – 1.31 mm<sup>2</sup>**

Mating Tab Width: **2.8 mm [ .11 in ]**

Mating Tab Thickness: **.51 mm [ .02 in ]**

## Features

### Product Type Features

Terminates To	Wire & Cable
Wire/Cable Type	Regular Wire
Wire Stop	No
Insertion Force	Low
Sealable	No

### Configuration Features

Connection Capacity	Single
---------------------	--------

### Contact Features

Quick Disconnect Terminal Type	Receptacle
Mating Tab Width	2.8 mm[.11 in]
Mating Tab Thickness	.51 mm[.02 in]
Terminal Orientation	Straight
Contact Base Material	Brass
Terminal Plating Material	Pre-Tin
Crimp Type	F-Crimp



Barrel Type	Open
-------------	------

### Mechanical Attachment

Mating Retention Type	Dimple
Extraction Force	7 – 100 Newton
Wire Insulation Support	With

### Dimensions

Accepts Wire Insulation Diameter Range	2.1 – 3.3 mm [.082 – .13 in]
Receptacle Terminal Stock Thickness	.25 mm [.01 in]
Overall Length	17.2 mm [.68 in]
Wire Size	.51 – 1.31 mm <sup>2</sup>

### Usage Conditions

Insulation Option	Uninsulated
Operating Temperature Range	-40 – 110 °C [-40 – 230 °F]

### Industry Standards

UL Rating	Recognized
-----------	------------

### Packaging Features

Packaging Quantity	8000
Packaging Method	Strip/Reel

### Other

Comment	Air-feed Applicator should be used.
---------	-------------------------------------

### Product Compliance

[For compliance documentation, visit the product page on TE.com>](#)

EU RoHS Directive 2011/65/EU	Compliant
EU ELV Directive 2000/53/EC	Compliant
China RoHS 2 Directive MIIT Order No 32, 2016	No Restricted Materials Above Threshold
EU REACH Regulation (EC) No. 1907/2006	Current ECHA Candidate List: JUNE 2022 (224) Candidate List Declared Against: JAN 2022 (223) SVHC > Threshold: Not Yet Reviewed
Halogen Content	Low Halogen - Br, Cl, F, I < 900 ppm per homogenous material. Also BFR/CFR/PVC

Free

Solder Process Capability

Not applicable for solder process capability

Product Compliance Disclaimer

This information is provided based on reasonable inquiry of our suppliers and represents our current actual knowledge based on the information they provided. This information is subject to change. The part numbers that TE has identified as EU RoHS compliant have a maximum concentration of 0.1% by weight in homogenous materials for lead, hexavalent chromium, mercury, PBB, PBDE, DBP, BBP, DEHP, DIBP, and 0.01% for cadmium, or qualify for an exemption to these limits as defined in the Annexes of Directive 2011/65/EU (RoHS2). Finished electrical and electronic equipment products will be CE marked as required by Directive 2011/65/EU. Components may not be CE marked. Additionally, the part numbers that TE has identified as EU ELV compliant have a maximum concentration of 0.1% by weight in homogenous materials for lead, hexavalent chromium, and mercury, and 0.01% for cadmium, or qualify for an exemption to these limits as defined in the Annexes of Directive 2000/53/EC (ELV). Regarding the REACH Regulation, the information TE provides on SVHC in articles for this part number is based on the latest European Chemicals Agency (ECHA) 'Guidance on requirements for substances in articles' posted at this URL: <https://echa.europa.eu/guidance-documents/guidance-on-reach>

### Compatible Parts



TE Part # 174779-1  
PL 110 HOUSING RECEPTACLE



TE Part # 2232942-1  
110 POS-LK MARK III NAT



TE Part # 2255152-1  
CCII 110 POS LOCK 24-16 ASSY



TE Part # 2-2150039-2  
OCEAN\_2.0\_Applicator-E-080F130F



TE Part # 2150039-2  
OCEAN\_2.0\_Applicator-E-080F130F




TE Part # 7-2150039-2  
OCEAN\_2.0\_Applicator-E-080F130F




TE Part # 7-2150039-7  
OCEAN\_2.0\_SPARE\_PART\_KIT-080F130F


### Also in the Series | Positive Lock 110



Crimp Terminal Housings(12)

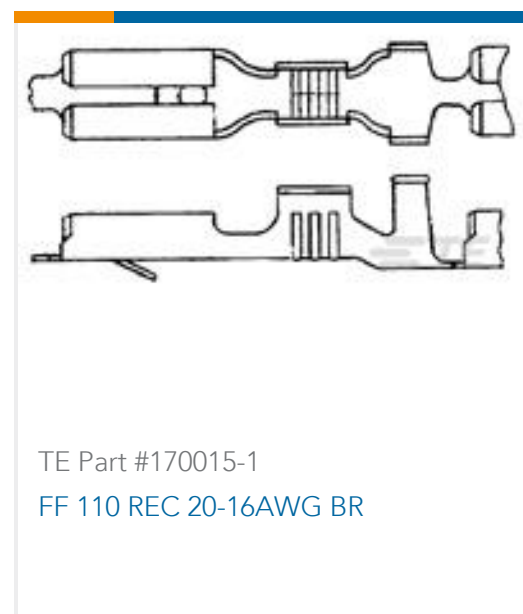


Insertion & Extraction Tools(1)



Quick Disconnects(8)

### Customers Also Bought



## Documents

### Product Drawings

[PL 110 REC 20-16 AWG 0.25 X 10.4 PTBR](#)

English

### CAD Files

[3D PDF](#)

3D

Customer View Model

[ENG\\_CVM\\_CVM\\_174777-1\\_M.2d\\_dxf.zip](#)

English

Customer View Model

[ENG\\_CVM\\_CVM\\_174777-1\\_M.3d\\_igs.zip](#)

English

Customer View Model

[ENG\\_CVM\\_CVM\\_174777-1\\_M.3d\\_stp.zip](#)

English

By downloading the CAD file I accept and agree to the [Terms and Conditions](#) of use.

### Datasheets & Catalog Pages



### Positive Lock Receptacles

English

[POS\\_LOCK\\_MIL\\_QRG](#)

English

---

### Product Specifications

[Application Specification](#)

English

[Crimping 110 Series, Positive Lock Contact](#)

English

---

### Product Environmental Compliance

[MD\\_174777-1\\_081120161045\\_dmtec](#)

English

[MD\\_174777-1\\_081120161045\\_dmtec](#)

English