



TE Internal #: 170485-1

Connector Contact, Hermaphroditic, Wire-to-Board, 20 – 16 AWG

Wire Size, 992.68 – 2802.41 CMA Wire Size, .503 – 1.419 mm<sup>2</sup> Wire

Size, Gold, Reel

[View on TE.com >](#)

Connectors > PCB Connectors > Wire-to-Board Connectors > Wire-to-Board Connector Contacts



Contact Type: **Hermaphroditic**

Connector System: **Wire-to-Board**

Wire Size: **.503 – 1.419 mm<sup>2</sup>**

## Features

### Product Type Features

Connector System	Wire-to-Board
Sealable	No
Connector & Contact Terminates To	Wire & Cable

### Electrical Characteristics

Operating Voltage	250 VAC
-------------------	---------

### Contact Features

Contact Retention Within Housing	With
Mating Tab Width	3 mm[.118 in]
Mating Tab Thickness	.65 mm[.025 in]
Contact Underplating Material Thickness	.3 μm[11.81 μin]
Contact Mating Area Plating Material Thickness	.08 μm[3.149 μin]
Contact Length	21 mm[.827 in]
Contact Underplating Material	Nickel
Contact Base Material	Phosphor Bronze
Contact Type	Hermaphroditic
Contact Mating Area Plating Material	Gold



Contact Current Rating (Max)	7 A
------------------------------	-----

### Termination Features

Termination Method to Wire & Cable	Crimp
------------------------------------	-------

### Mechanical Attachment

Contact Retention Type Within Housing	Locking Lance
---------------------------------------	---------------

Connector Mounting Type	Cable Mount (Free-Hanging)
-------------------------	----------------------------

### Dimensions

Accepts Wire Insulation Diameter Range	1.8 – 3.3 mm [.071 – .13 in]
--	------------------------------

Wire Size	.503 – 1.419 mm <sup>2</sup>
-----------	------------------------------

### Usage Conditions

Operating Temperature Range	-30 – 105 °C [-22 – 221 °F]
-----------------------------	-----------------------------

### Operation/Application

Compatible With Wire Base Material	Copper
------------------------------------	--------

Circuit Application	Signal
---------------------	--------

### Packaging Features

Packaging Quantity	1000
--------------------	------

Packaging Method	Reel
------------------	------

### Product Compliance

[For compliance documentation, visit the product page on TE.com>](#)

EU RoHS Directive 2011/65/EU	Compliant
------------------------------	-----------

EU ELV Directive 2000/53/EC	Compliant
-----------------------------	-----------

China RoHS 2 Directive MIIT Order No 32, 2016	No Restricted Materials Above Threshold
---	---

EU REACH Regulation (EC) No. 1907/2006	Current ECHA Candidate List: JUNE 2022 (224) Candidate List Declared Against: JAN 2022 (223) SVHC > Threshold: Not Yet Reviewed
--	--

Halogen Content	Low Halogen - Br, Cl, F, I < 900 ppm per homogenous material. Also BFR/CFR/PVC Free
-----------------	---

Solder Process Capability	Not applicable for solder process capability
---------------------------	--

Product Compliance Disclaimer

This information is provided based on reasonable inquiry of our suppliers and represents our current actual knowledge based on the information they provided. This information is subject to change. The part numbers that TE has identified as EU RoHS compliant have a maximum concentration of 0.1% by weight in homogenous materials for lead, hexavalent chromium, mercury, PBB, PBDE, DBP, BBP, DEHP, DIBP, and 0.01% for cadmium, or qualify for an exemption to these limits as defined in the Annexes of Directive 2011/65/EU (RoHS2). Finished electrical and electronic equipment products will be CE marked as required by Directive 2011/65/EU. Components may not be CE marked. Additionally, the part numbers that TE has identified as EU ELV compliant have a maximum concentration of 0.1% by weight in homogenous materials for lead, hexavalent chromium, and mercury, and 0.01% for cadmium, or qualify for an exemption to these limits as defined in the Annexes of Directive 2000/53/EC (ELV). Regarding the REACH Regulation, the information TE provides on SVHC in articles for this part number is based on the latest European Chemicals Agency (ECHA) 'Guidance on requirements for substances in articles' posted at this URL: <https://echa.europa.eu/guidance-documents/guidance-on-reach>

## Compatible Parts



TE Part # CAT-AM7017-SD292P  
STANDARD DRAWER PLUG  
HOUSINGS



TE Part # 723986-1  
EXTRACTION TOOL

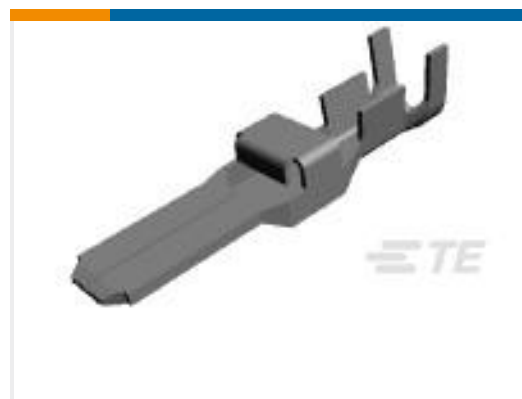


TE Part # 91590-1  
CCII DRAWER CONNECTOR 20-16  
ASSY



TE Part # 91590-3  
CCII DRAWER CONNECTOR 20-16  
HEAD

## Customers Also Bought



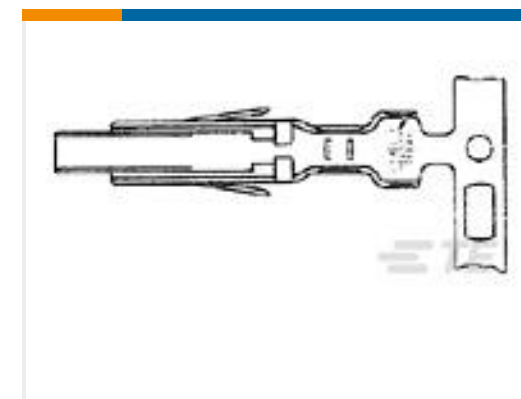
TE Part #917805-3  
DYNAMIC D-5 TAB CONT. M L/P



TE Part #5172069-1  
12P DRAWER FEM.ASSY



TE Part #1-480698-0  
02P UMNL PLUG HSG NATL



TE Part #170311-1  
CONTACT FOR DRAWER CONN



TE Part #1-353047-2  
DYNAMIC D-5200S TAB HSG 2P K/X



TE Part #350700-7  
UMNL SPLIT PIN AU/NI/BR

## Documents

**Product Drawings**  
DRAWER CONN LP

Japanese

**CAD Files**  
Customer View Model



[ENG\\_CVM\\_170485-1\\_A.2d\\_dxf.zip](#)

English

**Customer View Model**

[ENG\\_CVM\\_170485-1\\_A.3d\\_igs.zip](#)

English

**Customer View Model**

[ENG\\_CVM\\_170485-1\\_A.3d\\_stp.zip](#)

English

**3D PDF**

English

By downloading the CAD file I accept and agree to the [Terms and Conditions](#) of use.

---

### Datasheets & Catalog Pages

[POWER\\_CONNECTORS\\_CATALOG\\_SEC02\\_CABLE\\_MOUNTED](#)

English

[Low Power Drawer Connectors QRG](#)

English

---

### Product Specifications

[Crimping of AMP EI Series Connector Contacts](#)

Japanese

[Application Specification](#)

Japanese

[Crimping Drawer Connector Contacts](#)

English

[Application Specification](#)

English