

172076-6 ✓ ACTIVE

Positive Lock | Positive Lock 250

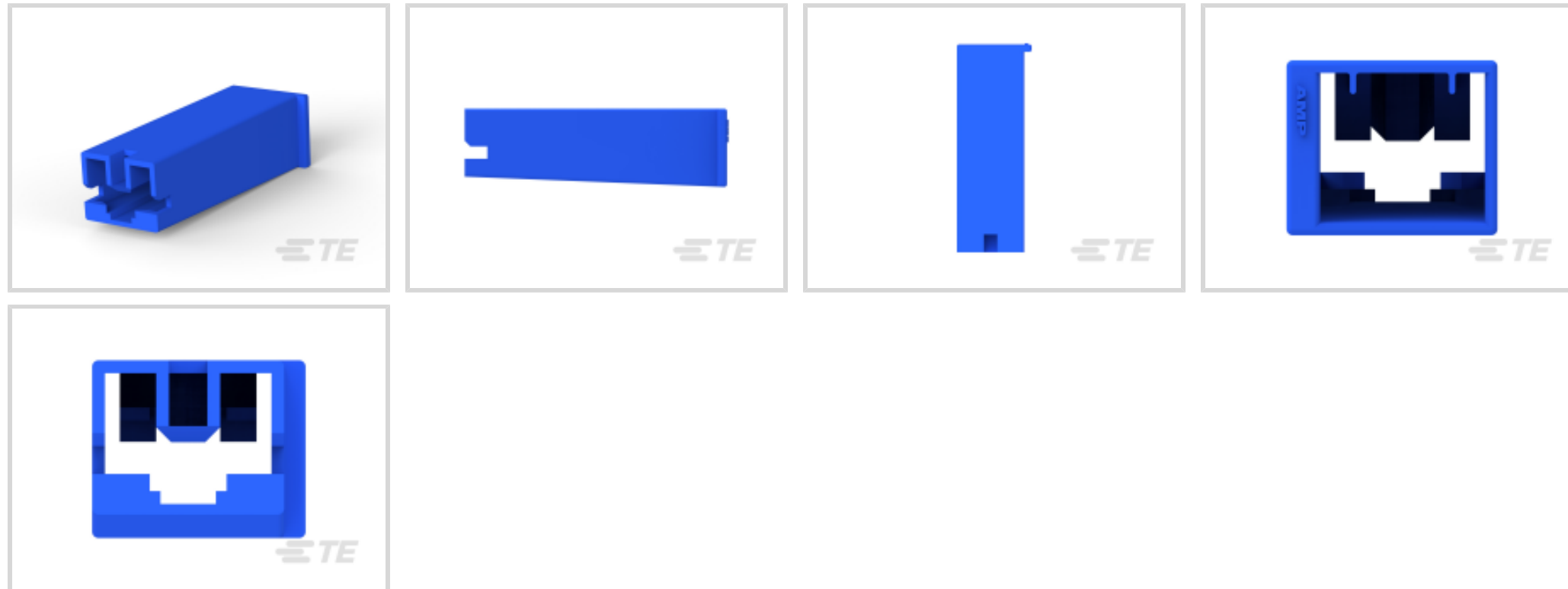
TE Internal #: 172076-6

Crimp Terminal Housings, Receptacle, Receptacle, 1 Position,
Straight, UL 94V-2, Blue, Nylon, Contact Mating Retention, Positive
Lock 250

[View on TE.com >](#)



Terminals & Splices > Terminal Housings, Insulation Sleeves & Blocks > Crimp Terminal Housings



Terminal Type: **Receptacle**

Housing Type: **Receptacle**

Number of Positions: **1**

Terminal Orientation: **Straight**

UL Flammability Rating: **UL 94V-2**

Features

Product Type Features

Terminates To	Wire & Cable
Product Type	Terminal Housing
Sealable	No
Connector System	Wire-to-Board, Wire-to-Wire
Housing Type	Receptacle
Insulated	No

Configuration Features

Number of Positions	1
---------------------	---

Body Features

Primary Product Color	Blue
-----------------------	------

Contact Features

Terminal Type	Receptacle
Terminal Orientation	Straight
Contact Mating Retention	With



Mechanical Attachment

Mating Alignment Type	Polarization
Mating Alignment	With
Crimp Terminal Housing Mounting Style	Cable Mount (Free-Hanging)

Housing Features

Housing Material	Nylon
------------------	-------

Usage Conditions

Operating Temperature Range	-40 – 105 °C[-40 – 221 °F]
-----------------------------	----------------------------

Industry Standards

UL Flammability Rating	UL 94V-2
------------------------	----------

Packaging Features

Packaging Quantity	1000
--------------------	------

Product Compliance

[For compliance documentation, visit the product page on TE.com>](#)

EU RoHS Directive 2011/65/EU	Compliant
EU ELV Directive 2000/53/EC	Compliant
China RoHS 2 Directive MIIT Order No 32, 2016	No Restricted Materials Above Threshold
EU REACH Regulation (EC) No. 1907/2006	Current ECHA Candidate List: JUNE 2022 (224) Candidate List Declared Against: JAN 2022 (223) SVHC > Threshold: Not Yet Reviewed
Halogen Content	Low Halogen - Br, Cl, F, I < 900 ppm per homogenous material. Also BFR/CFR/PVC Free
Solder Process Capability	Not applicable for solder process capability

Product Compliance Disclaimer

This information is provided based on reasonable inquiry of our suppliers and represents our current actual knowledge based on the information they provided. This information is subject to change. The part numbers that TE has identified as EU RoHS compliant have a maximum concentration of 0.1% by weight in homogenous materials for lead, hexavalent chromium, mercury, PBB, PBDE, DBP, BBP, DEHP, DIBP, and 0.01% for cadmium, or qualify for an exemption to these limits as defined in the Annexes of Directive 2011/65/EU (RoHS2). Finished electrical and electronic equipment products will be CE marked as required by Directive 2011/65/EU. Components may not be CE marked. Additionally, the part numbers that TE has identified as EU ELV compliant have a maximum concentration of 0.1% by weight in homogenous materials for lead, hexavalent chromium, and mercury, and 0.01% for cadmium, or qualify for an exemption to these limits as defined in the Annexes of Directive 2000/53/EC (ELV). Regarding the REACH Regulation, the information TE provides on SVHC in articles for this part number is based on the latest European Chemicals Agency (ECHA) 'Guidance on

requirements for substances in articles' posted at this URL: <https://echa.europa.eu/guidance-documents/guidance-on-reach>

Compatible Parts

<p>TE Part # 63239-1 POSITIVE LOCK 250 REC 12-10 AWG TPBR</p>	<p>TE Part # 170329-1 250 PL MKII REC. 15-10AWG PTBR</p>	<p>TE Part # 170328-1 250 PL MKII REC. 18-14AWG PTBR</p>	<p>TE Part # 724659-2 EXT TOOL FOR POSITIVE .250</p>
<p>TE Part # 170333-1 PL 250 RECEPTACLE 22-18 AWG PTPBR</p>	<p>TE Part # 170335-1 PL 250 RECEPTACLE 15-10 AWG PTPBR</p>	<p>TE Part # 170327-1 250 PL MKII REC. 22-18AWG PTBR</p>	<p>TE Part # 170334-1 205 PL MII,REC.,18-14,PTBR</p>
<p>TE Part # 2238155-1 POS LOCK 250 Rec, MKII, 18-14 TPBR</p>	<p>TE Part # 2238156-1 POS LOCK 250 Rec, MKII, 22-18 TPBR</p>	<p>TE Part # 3-173974-6 PL MKII 187 REC HSG 1P NYLON GWT BLU</p>	

Also in the Series | Positive Lock 250

<p>Automotive Terminals(1)</p>	<p>Crimp Terminal Housings(203)</p>	<p>Insertion & Extraction Tools(3)</p>	<p>Insulation Boots & Sleeves(4)</p>
--------------------------------	-------------------------------------	--	--



Quick Disconnects(189)

Customers Also Bought



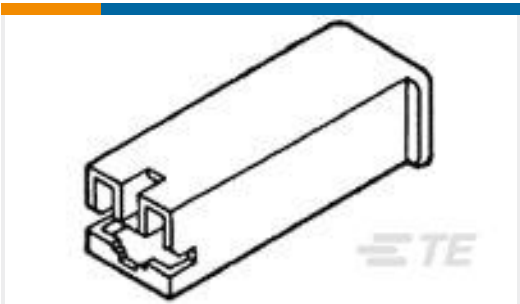
TE Part #177917-1
AMP POWER DBL LOCK TAB (L)



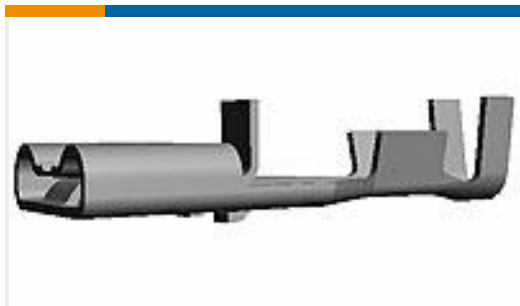
TE Part #353907-1
CT 1.5MM REC CONT CRIMP TYPE



TE Part #179609-1
AMP CT CRIMP TTYPE-2 REC CONT.



TE Part #172076-1
POSITIVE LOCK 250 HOUSING RECEPTACLE



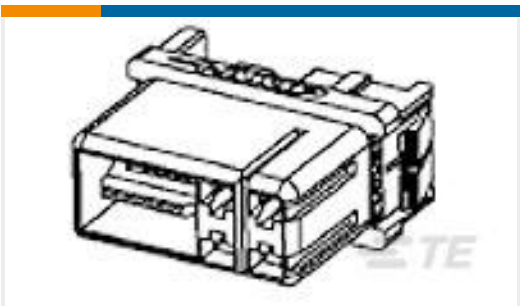
TE Part #170328-1
250 PL MKII REC. 18-14AWG PTBR



TE Part #4-292156-3
CT RELAY HDR ASSY FREE HANGING



TE Part #1-292241-2
1.5 MINI CT HYBRID SF DRAWER P



TE Part #1-292242-2
1.5 MINI CT HYBRID SF DRAWER R



TE Part #2-179228-8
CT CRIMP-2 REC HSG 8P BLUE



TE Part #2-456405-5
CRIMP, WIRE (.080F X .158THK)

Documents

Product Drawings

[POSITIVE LOCK 250 HOUSING RECEPTACLE](#)

English

CAD Files

[3D PDF](#)

3D

[Customer View Model](#)

[ENG_CVM_CVM_172076-6_W.2d_dxf.zip](#)



English

Customer View Model

[ENG_CVM_CVM_172076-6_W.3d_igs.zip](#)

English

Customer View Model

[ENG_CVM_CVM_172076-6_W.3d_stp.zip](#)

English

By downloading the CAD file I accept and agree to the [Terms and Conditions](#) of use.

Datasheets & Catalog Pages

Positive Lock Receptacles

English

Product Specifications

Application Specification

English

Application Specification

Japanese

CRIMP OF MATE-N-LOK PIN CONTACT

Japanese

CRIMP OF MATE-N-LOK PIN CONTACT

English

Application Specification

English

Product Environmental Compliance

Product Compliance

English

Product Compliance

English

Agency Approvals

Agency Approval Document

English