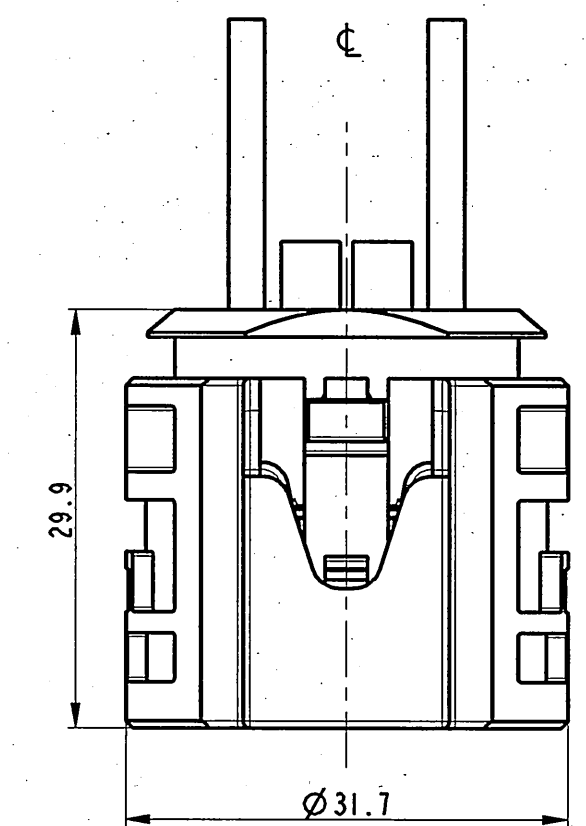
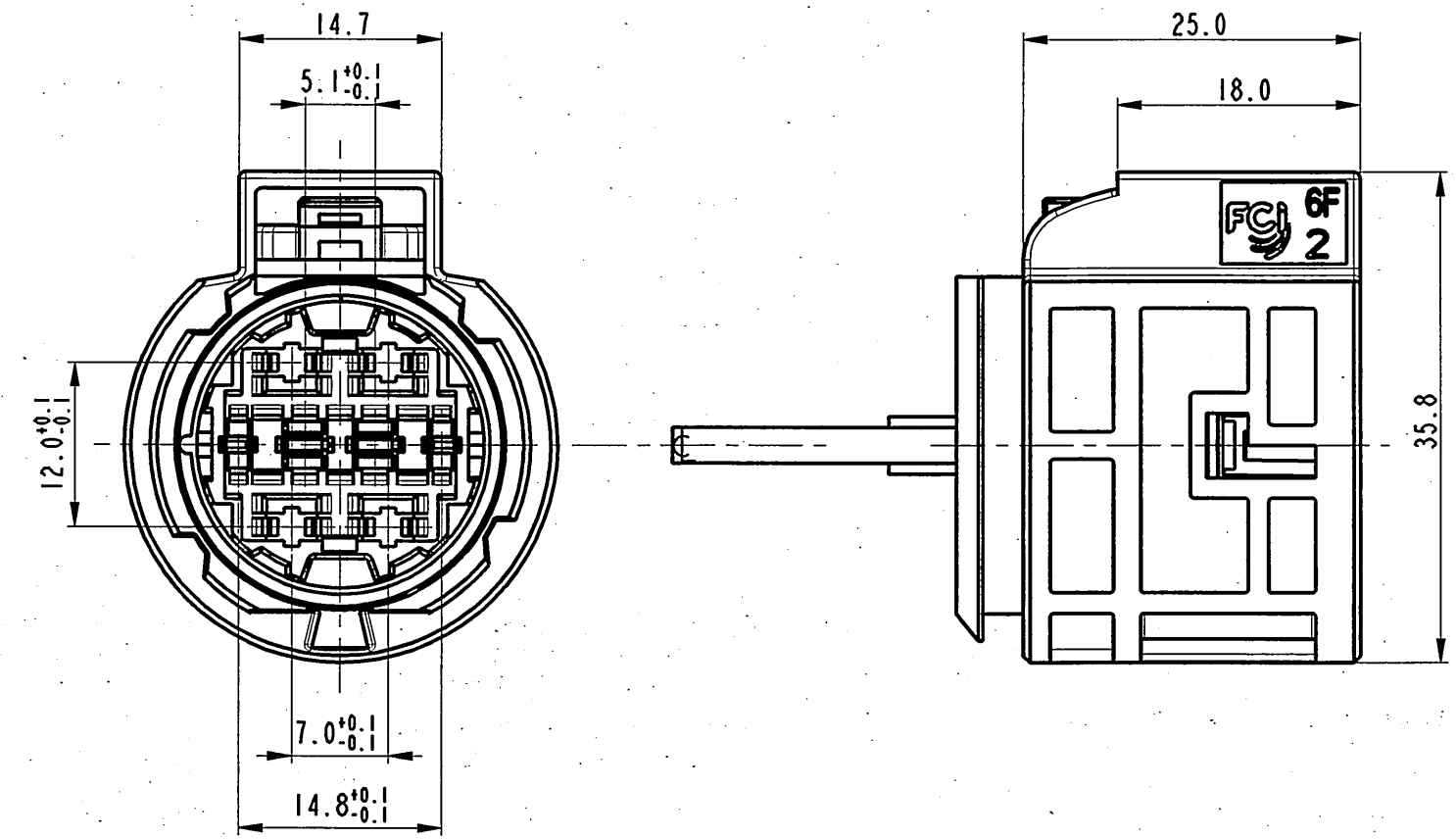


STRICTLY CONFIDENTIAL

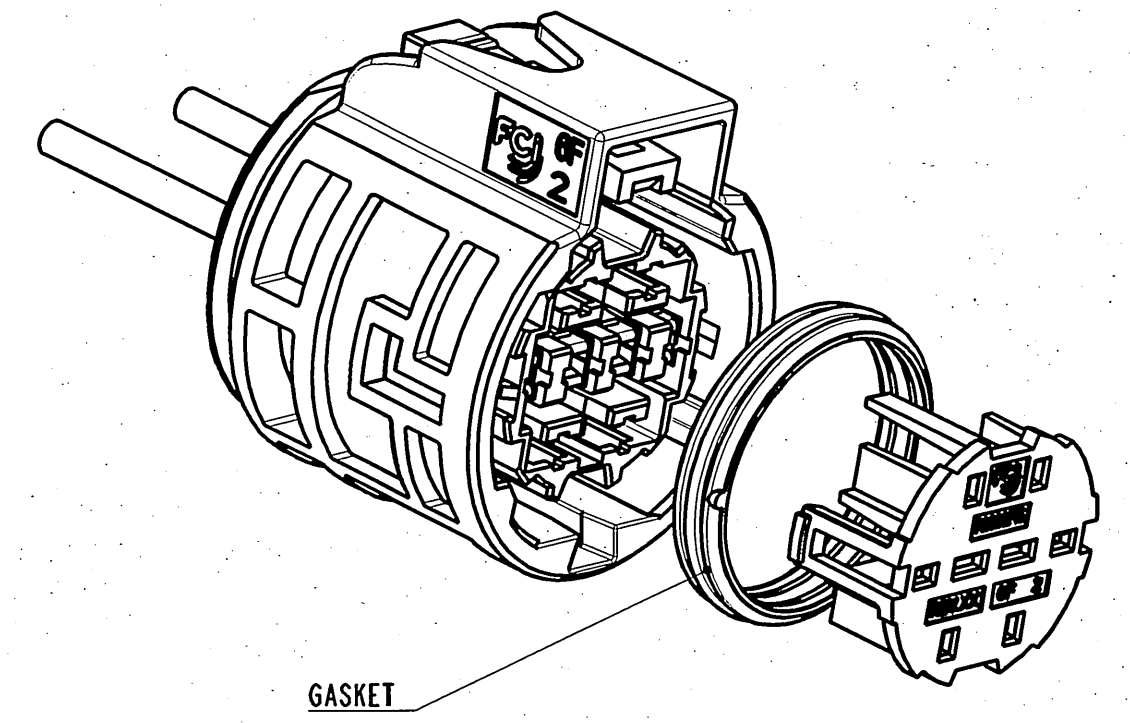
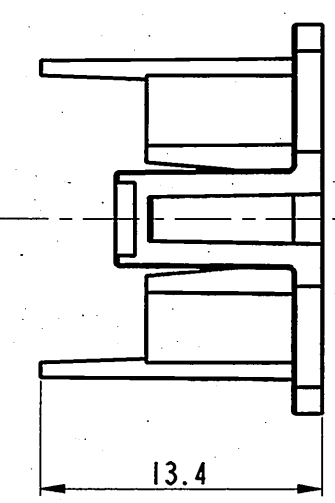
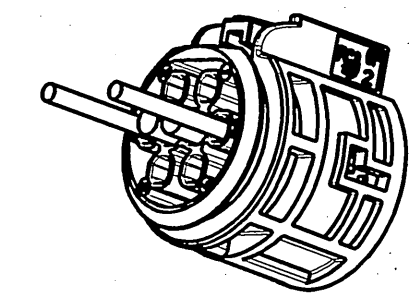
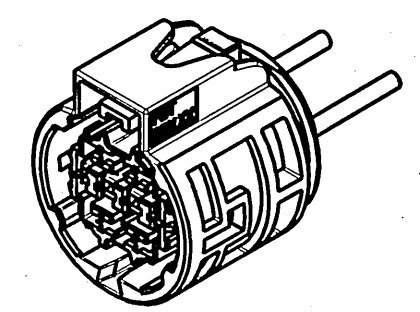
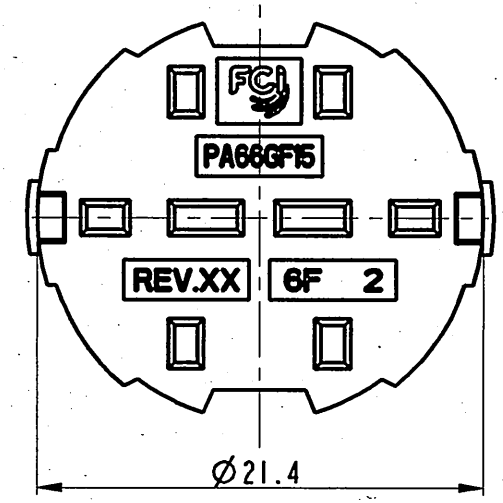
ASSEMBLY FEMALE	
HOUSING	material PBT
GASKET	material LSR - colour RED
BLACK COLOUR (colore nero)	
8 way	
MECHANICAL POLARIZATION (polarizzazione meccanica)	
SCALE 1:1	
P/N	17260805

ASSEMBLY FEMALE	
HOUSING	material PBT
GASKET	material LSR - colour RED
BROWN COLOUR (colore marrone)	
5 way	
MECHANICAL POLARIZATION (polarizzazione meccanica)	
SCALE 1:1	
P/N	17260815

ASSEMBLY FEMALE	
HOUSING	material PBT
GASKET	material LSR - colour RED
GREEN COLOUR (colore verde)	
4 way	
MECHANICAL POLARIZATION (polarizzazione meccanica)	
SCALE 1:1	
P/N	17260855



SECONDARY LOCK FEMALE	
MATERIAL (materiale)	PA66-GF15%
COLOUR (colore)	VIOLET COLOUR (colore viola)
P/N	17260879



GASKET
SEC-LOCK

THE SEC-LOCK IS SUPPLIED SEPARATELY
IL SEC-LOCK VIENE FORNITO SEPARATAMENTE

CAVITY SUITABLE FOR TERMINAL	WIRE SIZE (mm ²)	P/N SWS COLOUR	P/N CAVITY PLUG COLOUR
SICMA3 FEMALE 1.5 (T3) P/N 211CC2S0161	0.35	211M0007 YELLOW	211M0012 WHITE
SICMA3 FEMALE 1.5 (T3) P/N 211CC2S1161	0.50 - 0.75		
SICMA3 FEMALE 1.5 (T3) P/N 211CC2S4161	1.0	211M0008 GREEN	211M0013 WHITE
SICMA3 FEMALE 1.5 (T3) P/N 211CC2S2161	1.5		
SICMA2 FEMALE 2.8 (T3) P/N 17062000	0.35 - 0.75	211M0009 RED	211M0010 BLUE
SICMA2 FEMALE 2.8 (T3) P/N 17062010	1.0 - 2.5		

01-09	02/02/2009	02-R	RELEASED FOR PRODUCTION Mould revision not necessary		
92/06	12/12/06	02	UPDATED MODEL DRAWING AND NOTES		FP MC
	23/06/06	01	UPDATED MODEL DRAWING AND NOTES		FP MC
ECH-NO. NUMERO - FCH	DATE DATA	DD / MM / YY REVISIONE	REVISIONE	POSITION POSIZIONE	CHANGE DESCRIPTION DESCRIZIONE MODIFICA
PRODUCT SPEC. SPEC. DI PRODOTTO			PACKAGING SPEC. SPEC. DI IMBALLAGGIO		APPLICATION SPEC. SPEC. DI APPLICAZIONE
IPS 310			-		IPS 311
TOLERANCES TOLLERANZE					
±0.3mm / ±0.1"			MATERIAL: MATERIALE:		SURFACE FINISH FINITURA SUPERFICIALE
1 726 08 X1			SEE TABLE		SEE TABLE
DO NOT SCALE DRAWING NON SCALARE IL DISEGNO			TOOL NO. NUMERO UTILE		LOC. CODE CODICE NAZIONALITA'
DATE DATA			NAME NOME		TITLE DESCRIZIONE
12/04/06			G.STELLA		ASSEMBLY FEMALE 8 WAY SEALED CONNECTOR
DRAWN BY DISSEGNAZIONE			CHECKED BY CONTROLLATO		APPROVED BY APPROVATO
12/04/06			M.COLOMBO		EU-060274
DRAWING NUMBER NUMERO DISEGNO			FSD 309914		FILE NAME NOME FILE
			SEE TABLE		fsd309914-1.1-02
					SCALE SCALA
					2:1