

1658670-1 ✓ ACTIVE



AMPLIMITE

TE Internal #: 1658670-1

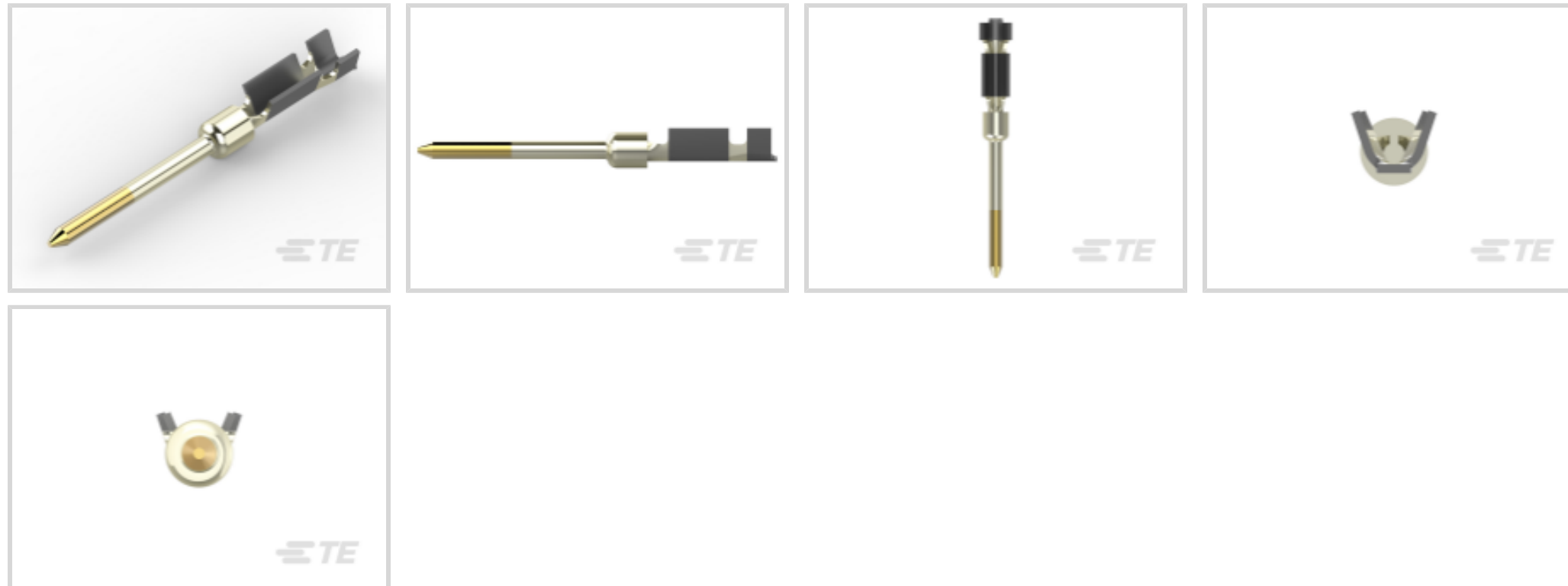
D-Sub Connector Contacts, Pin, Size 22, Brass, Gold, Crimp, 28 – 22

AWG Wire Size, .08 – .4 mm² Wire Size, Cable-to-Cable, Wire &

Cable, 1.9 A, Signal

[View on TE.com >](#)

Connectors > D-Shaped Connectors > D-Sub Connector Contacts > D-Sub Connector Contacts: Pin, Brass, Signal, Size 22



Contact Type: **Pin**

D-Sub Contact Size: **22**

Contact Base Material: **Brass**

Contact Mating Area Plating Material: **Gold**

Termination Method to Wire & Cable: **Crimp**

[All D-Sub Connector Contacts: Pin, Brass, Signal, Size 22 \(6\)](#)

Features

Product Type Features

Product Type	Contact
Grade	Standard
Connector System	Cable-to-Cable
Connector & Contact Terminates To	Wire & Cable

Contact Features

	30 µin
Pin Diameter	.76 mm[.03 in]
Contact Underplating Material	Nickel
PCB Contact Termination Area Plating Material	Tin
Contact Type	Pin
D-Sub Contact Size	22
Contact Base Material	Brass
Contact Mating Area Plating Material	Gold



Contact Current Rating (Max)	1.9 A
------------------------------	-------

Termination Features

Termination Method to Wire & Cable	Crimp
------------------------------------	-------

Mechanical Attachment

Contact Retention Type Within Housing	Snap-In
---------------------------------------	---------

Wire Insulation Support	With
-------------------------	------

Dimensions

	.04 in
--	--------

Accepts Wire Insulation Diameter Range	.76 – 1.02 mm [.03 – .04 in]
--	------------------------------

Wire Size	.08 – .4 mm ²
-----------	--------------------------

Usage Conditions

Operating Temperature Range	-55 – 105 °C [-67 – 221 °F]
-----------------------------	-----------------------------

Operation/Application

For Use With	AMPLIMITE
--------------	-----------

Circuit Application	Signal
---------------------	--------

Packaging Features

Packaging Quantity	20000
--------------------	-------

Packaging Method	Piece/Reel, Strip
------------------	-------------------

Other

Comment	For Mini Applicator.
---------	----------------------

Product Compliance

[For compliance documentation, visit the product page on TE.com>](#)

EU RoHS Directive 2011/65/EU	Compliant
------------------------------	-----------

EU ELV Directive 2000/53/EC	Compliant
-----------------------------	-----------

China RoHS 2 Directive MIIT Order No 32, 2016	No Restricted Materials Above Threshold
---	---

EU REACH Regulation (EC) No. 1907/2006	Current ECHA Candidate List: JUNE 2022 (224) Candidate List Declared Against: JAN 2022 (223) SVHC > Threshold: Not Yet Reviewed
--	--

Halogen Content	Low Halogen - Br, Cl, F, I < 900 ppm per homogenous material. Also BFR/CFR/PVC
-----------------	--



Free

Solder Process Capability

Not applicable for solder process capability

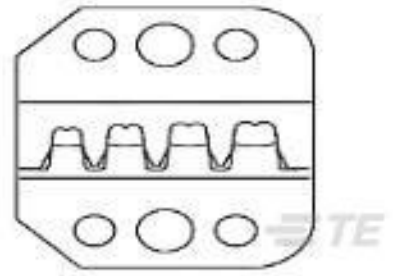
Product Compliance Disclaimer

This information is provided based on reasonable inquiry of our suppliers and represents our current actual knowledge based on the information they provided. This information is subject to change. The part numbers that TE has identified as EU RoHS compliant have a maximum concentration of 0.1% by weight in homogenous materials for lead, hexavalent chromium, mercury, PBB, PBDE, DBP, BBP, DEHP, DIBP, and 0.01% for cadmium, or qualify for an exemption to these limits as defined in the Annexes of Directive 2011/65/EU (RoHS2). Finished electrical and electronic equipment products will be CE marked as required by Directive 2011/65/EU. Components may not be CE marked. Additionally, the part numbers that TE has identified as EU ELV compliant have a maximum concentration of 0.1% by weight in homogenous materials for lead, hexavalent chromium, and mercury, and 0.01% for cadmium, or qualify for an exemption to these limits as defined in the Annexes of Directive 2000/53/EC (ELV). Regarding the REACH Regulation, the information TE provides on SVHC in articles for this part number is based on the latest European Chemicals Agency (ECHA) 'Guidance on requirements for substances in articles' posted at this URL: <https://echa.europa.eu/guidance-documents/guidance-on-reach>


Compatible Parts



TE Part # 90800-1
PROCRIMPER TOOL & DIE



TE Part # 90800-2
DIE ASSEMBLY



TE Part # 91520-1
CCII AMPLIMITE HDP-22 PIN SKT 28-22 ASSY



TE Part # 2305570-1
TERMINAL CUTTER, SIDE FEED



TE Part # 2151014-1
OCEAN_2.0_APPLICATOR-S-042F048O



TE Part # 2-2151014-1
OCEAN_2.0_APPLICATOR-S-042F048O



TE Part # 2-2151014-2
OCEAN_2.0_APPLICATOR-S-042F048O



TE Part # 2151014-2
OCEAN_2.0_APPLICATOR-S-042F048O



TE Part # 5-2151014-1
OCEAN_2.0_APPLICATOR-S-042F048O



TE Part # 5-2151014-2
OCEAN_2.0_APPLICATOR-S-042F048O



TE Part # 7-2151014-1
OCEAN_2.0_APPLICATOR-S-042F048O



TE Part # 7-2151014-2
OCEAN_2.0_APPLICATOR-S-042F048O



Customers Also Bought



Documents

CAD Files

3D PDF

3D

Customer View Model

[ENG_CVM_CVM_1658670-1_D.2d_dxf.zip](#)

English

Customer View Model

[ENG_CVM_CVM_1658670-1_D.3d_igs.zip](#)

English

Customer View Model

[ENG_CVM_CVM_1658670-1_D.3d_stp.zip](#)

English

By downloading the CAD file I accept and agree to the [Terms and Conditions](#) of use.

Datasheets & Catalog Pages

[AMPLIMITE Subminiature D Connectors - Cable Connectors](#)

English



[AMPLIMITE Cable Connectors and Shielding Hardware Kits QRG](#)

English

[Product Specifications](#)

[Application Specification](#)

English

[Product Environmental Compliance](#)

[MD_1658670-1_10052017227_dmtec](#)

English

[MD_1658670-1_10052017227_dmtec](#)

English

[Instruction Sheets](#)

[Instruction Sheet \(U.S.\)](#)

English