

1703806-1 ✓ ACTIVE

AMP | LEAVYSEAL

TE Internal #: 1703806-1

Other Automotive Connector Accessories, Alignment Plate, Wire-to-Wire / Wire-to-Board, PBT GF, Black, 22 / 15 Position, LEAVYSEAL

[View on TE.com >](#)



[Connectors](#) > [Automotive Connectors](#) > [Connector Accessories](#) > [Other Connector Accessories](#) > [LEAVYSEAL MOUNTING ACCESSORIES](#)



Automotive Connector Accessory Type: **Alignment Plate**

Connector System: **Wire-to-Board, Wire-to-Wire**

Primary Product Material: **PBT GF**

Primary Product Color: **Black**

Number of Positions: **15, 22**

[All LEAVYSEAL MOUNTING ACCESSORIES \(8\)](#)

Features

Product Type Features

Automotive Connector Accessory Type	Alignment Plate
Connector System	Wire-to-Board, Wire-to-Wire

Configuration Features

Number of Positions	15, 22
---------------------	--------

Body Features

Primary Product Material	PBT GF
Primary Product Color	Black

Usage Conditions

Compatible With Connector Style	Housing For Male Terminals
Operating Temperature Range	-40 – 140 °C[-40 – 284 °F]

Industry Standards

UL Flammability Rating	UL 94HB
------------------------	---------

Packaging Features

Packaging Quantity	112
Packaging Method	Box



Other

Serviceable	Yes
-------------	-----

Product Compliance

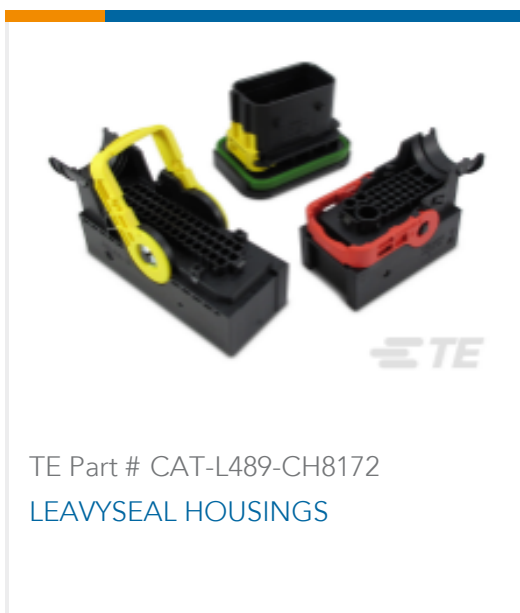
[For compliance documentation, visit the product page on TE.com>](#)

EU RoHS Directive 2011/65/EU	Compliant
EU ELV Directive 2000/53/EC	Compliant
China RoHS 2 Directive MIIT Order No 32, 2016	No Restricted Materials Above Threshold
EU REACH Regulation (EC) No. 1907/2006	Current ECHA Candidate List: JUNE 2022 (224) Candidate List Declared Against: JAN 2022 (223) SVHC > Threshold: Not Yet Reviewed
Halogen Content	Low Halogen - Br, Cl, F, I < 900 ppm per homogenous material. Also BFR/CFR/PVC Free
Solder Process Capability	Not applicable for solder process capability

Product Compliance Disclaimer

This information is provided based on reasonable inquiry of our suppliers and represents our current actual knowledge based on the information they provided. This information is subject to change. The part numbers that TE has identified as EU RoHS compliant have a maximum concentration of 0.1% by weight in homogenous materials for lead, hexavalent chromium, mercury, PBB, PBDE, DBP, BBP, DEHP, DIBP, and 0.01% for cadmium, or qualify for an exemption to these limits as defined in the Annexes of Directive 2011/65/EU (RoHS2). Finished electrical and electronic equipment products will be CE marked as required by Directive 2011/65/EU. Components may not be CE marked. Additionally, the part numbers that TE has identified as EU ELV compliant have a maximum concentration of 0.1% by weight in homogenous materials for lead, hexavalent chromium, and mercury, and 0.01% for cadmium, or qualify for an exemption to these limits as defined in the Annexes of Directive 2000/53/EC (ELV). Regarding the REACH Regulation, the information TE provides on SVHC in articles for this part number is based on the latest European Chemicals Agency (ECHA) 'Guidance on requirements for substances in articles' posted at this URL: <https://echa.europa.eu/guidance-documents/guidance-on-reach>

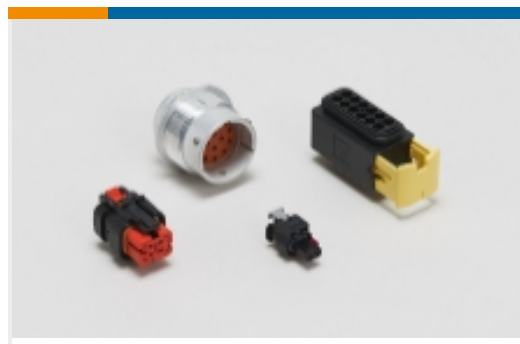
Compatible Parts



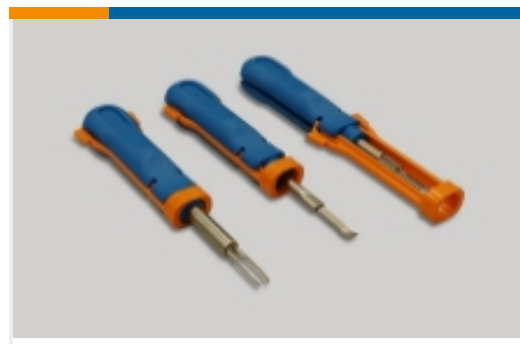
Also in the Series | LEAVYSEAL



Automotive Connector Caps & Covers (16)



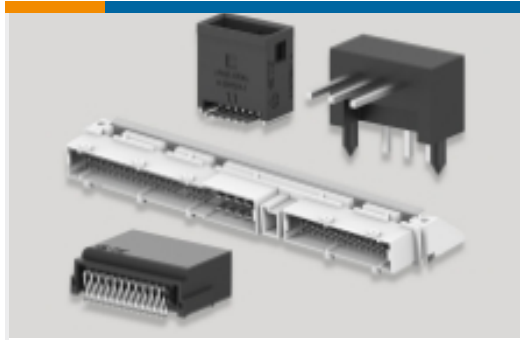
Automotive Housings(64)



Insertion & Extraction Tools(5)



Other Automotive Connector Accessories(15)



PCB Headers & Receptacles(13)

Customers Also Bought



TE Part #2112289-1
PROTECTION CAP, GROUP A, ASSY



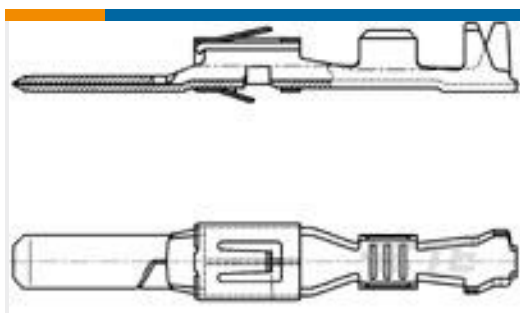
TE Part #2177419-3
32POS, TAB 0.5X0.4, HEADER ASSY, CODA



TE Part #1-1823440-3
22POS, MIXED, REC HSG, ASSY, SEALED



TE Part #1718328-1
FIXING SLIDE



TE Part #962884-2
TAB AS 2.8x0.8 CONTACT CF SRC Sn



TE Part #1-1355397-3
4POS MQS REC COD A



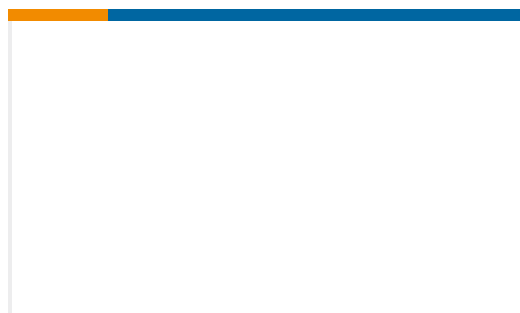
TE Part #1823444-1
ADAPTER, FOR A-PILLAR, ASSY



TE Part #DRB12-128PANE-L018
REC, 128P, BLK, NON-ENV, CAP, A



TE Part #2-1904058-7
V23700F0002A408-EV-CBOX



TE Part #825-066-101
405mm AM/ FM/ DAB ANTENNA ROD

Documents



Product Drawings

[ADAPTER,SEALED,ASSY](#)

English

CAD Files

Customer View Model

[ENG_CVM_1703806-1_C.3d_igs.zip](#)

English

Customer View Model

[ENG_CVM_1703806-1_C.3d_stp.zip](#)

English

Customer View Model

[ENG_CVM_1703806-1_C.2d_dxf.zip](#)

English

[3D PDF](#)

English

By downloading the CAD file I accept and agree to the [Terms and Conditions](#) of use.

Datasheets & Catalog Pages

[CONNECTOR SELECTOR](#)

English

Product Specifications

[Application Specification](#)

German