

1740451-2 ✓ ACTIVE

NECTOR | NECTOR S

TE Internal #: 1740451-2

Plug & Socket Lighting Connectors, Cable-to-Cable, 2 Position,
Wire & Cable, Outlet, 42 VAC, Power, Cable Mount (Free-Hanging),
NECTOR S

[View on TE.com >](#)



Connectors > Lighting Connectors > Plug & Socket Connectors



Connector System: **Cable-to-Cable**

Number of Positions: **2**

Sealable: **No**

Connector & Contact Terminates To: **Wire & Cable**

Lighting Connector Style: **Outlet**

Features

Product Type Features

Product Type	Connector
Wire/Cable Type	Discrete Wire
Connector System	Cable-to-Cable
Sealable	No
Connector & Contact Terminates To	Wire & Cable
Lighting Connector Style	Outlet

Configuration Features

Keying Arrangement	LV-2
Number of Positions	2
Contacts Preloaded	No

Electrical Characteristics

Operating Voltage	42 VAC
-------------------	--------

Contact Features

Accepts Contact Style	Pin
-----------------------	-----



Contact Type	Pin
--------------	-----

Mechanical Attachment

Connector Mounting Type	Cable Mount (Free-Hanging)
-------------------------	----------------------------

Housing Features

Housing Color	Yellow
---------------	--------

Operation/Application

Circuit Application	Power
---------------------	-------

Industry Standards

VDE Tested	Yes
------------	-----

Packaging Features

Packaging Method	Box
------------------	-----

Product Compliance

[For compliance documentation, visit the product page on TE.com>](#)

EU RoHS Directive 2011/65/EU	Compliant
------------------------------	-----------

EU ELV Directive 2000/53/EC	Compliant
-----------------------------	-----------

China RoHS 2 Directive MIIT Order No 32, 2016	No Restricted Materials Above Threshold
---	---

EU REACH Regulation (EC) No. 1907/2006	Current ECHA Candidate List: JUNE 2022 (224) Candidate List Declared Against: JUNE 2022 (224) Does not contain REACH SVHC
--	---

Halogen Content	Not Low Halogen - contains Br or Cl > 900 ppm.
-----------------	--

Solder Process Capability	Not applicable for solder process capability
---------------------------	--

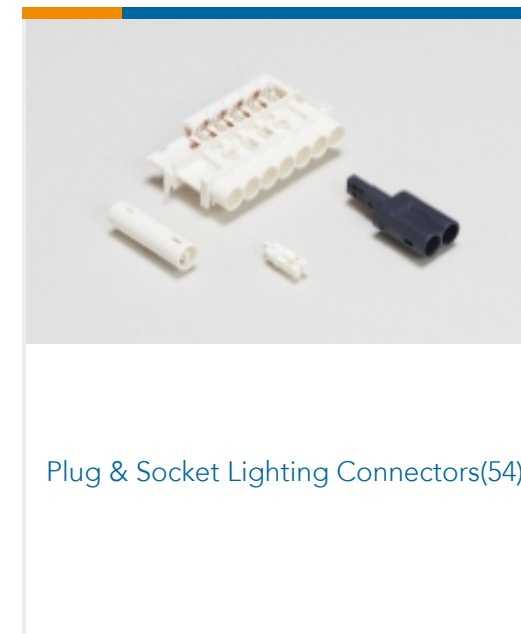
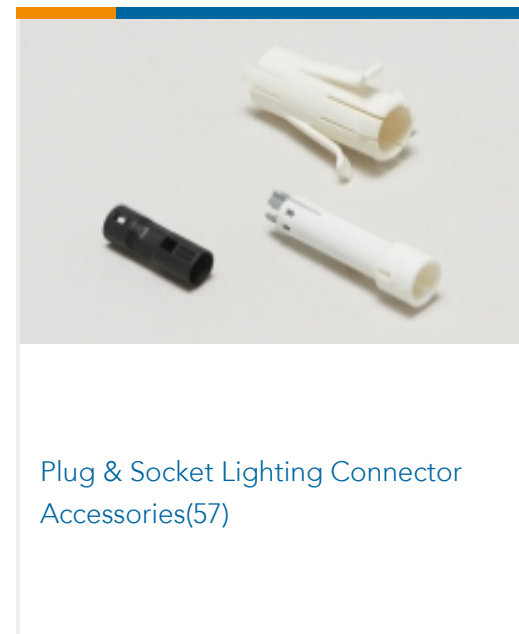
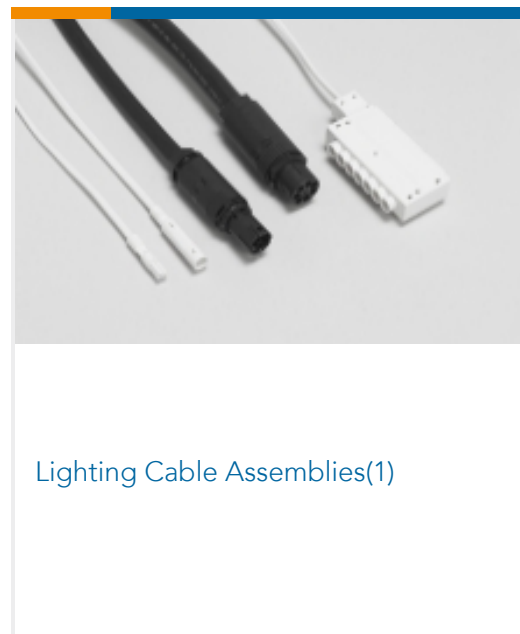
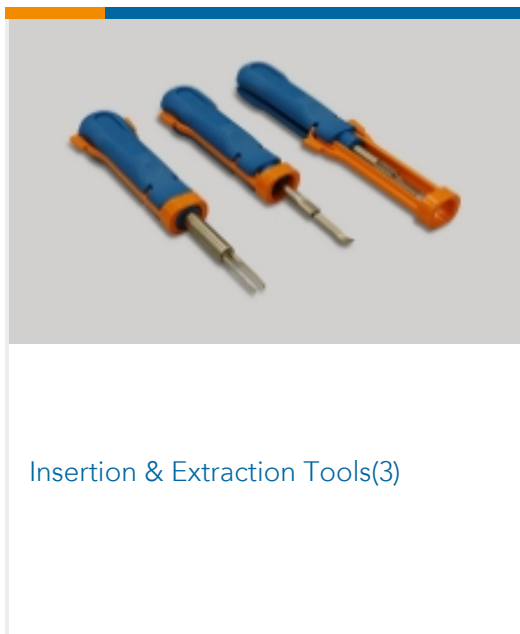
Product Compliance Disclaimer

This information is provided based on reasonable inquiry of our suppliers and represents our current actual knowledge based on the information they provided. This information is subject to change. The part numbers that TE has identified as EU RoHS compliant have a maximum concentration of 0.1% by weight in homogenous materials for lead, hexavalent chromium, mercury, PBB, PBDE, DBP, BBP, DEHP, DIBP, and 0.01% for cadmium, or qualify for an exemption to these limits as defined in the Annexes of Directive 2011/65/EU (RoHS2). Finished electrical and electronic equipment products will be CE marked as required by Directive 2011/65/EU. Components may not be CE marked. Additionally, the part numbers that TE has identified as EU ELV compliant have a maximum concentration of 0.1% by weight in homogenous materials for lead, hexavalent chromium, and mercury, and 0.01% for cadmium, or qualify for an exemption to these limits as defined in the Annexes of Directive 2000/53/EC (ELV). Regarding the REACH Regulation, the information TE provides on SVHC in articles for this part number is based on the latest European Chemicals Agency (ECHA) 'Guidance on requirements for substances in articles' posted at this URL: <https://echa.europa.eu/guidance-documents/guidance-on-reach>

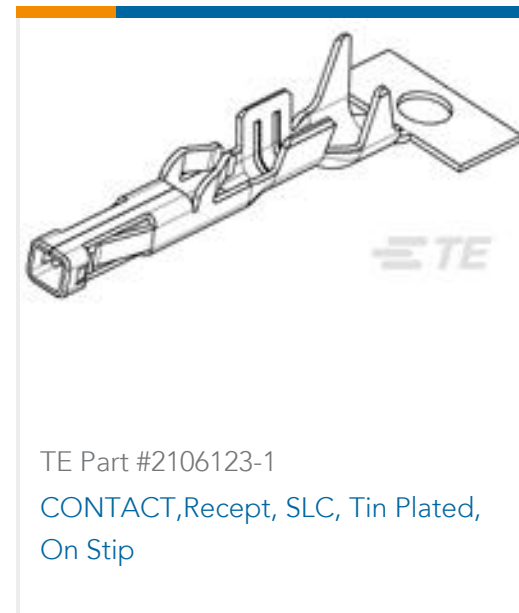
Compatible Parts



Also in the Series | NECTOR S



Customers Also Bought





TE Part #1-293300-2
NECTOR S BUS BAR ASSY LV-2
YELLOW



TE Part #1740261-2
NECTOR S RING CLIP BLACK

Documents

Product Drawings

NECTOR S OUTLET LV-2 YELLOW

English

CAD Files

3D PDF

3D

Customer View Model

[ENG_CVM_CVM_1740451-2_G.2d_dxf.zip](#)

English

Customer View Model

[ENG_CVM_CVM_1740451-2_G.3d_igs.zip](#)

English

Customer View Model

[ENG_CVM_CVM_1740451-2_G.3d_stp.zip](#)

English

By downloading the CAD file I accept and agree to the [Terms and Conditions](#) of use.

Datasheets & Catalog Pages

NECTOR_S_LINE_CONNECTOR_BROCHURE

English

Product Specifications

Product Specification

English

Product Environmental Compliance

Product Compliance

English

Product Compliance

English

Agency Approvals

VDE Certificate

English