

PULSE LOCK 42P CAP ASSY ✓ ACTIVE



AMP

TE Part # 172489-7

TE Internal #: 172489-7

HIGH PIN COUNT HEADER

[View on TE.com >](#)

Connectors > Automotive, Truck, Bus, & Off-Road Connectors > PCB Headers > HIGH PIN COUNT HEADER



Centerline (Pitch): 3.7 mm, 4.6 mm [.146 in, .181 in]

Sealable: No

Mounting Orientation: Horizontal/90°

Number of Rows: 2

Color: Yellow

[All HIGH PIN COUNT HEADER \(160\)](#)

Features

Product Type Features

Hybrid Header	No
Shielded	No
Sealable	No
Connector & Contact Terminates To	Printed Circuit Board

Configuration Features

Number of Sections	3
Number of Signal Positions	42
Number of Rows	2

Electrical Characteristics

Operating Voltage	250 VAC
Voltage Rating (Max)	250 VAC
Nominal Voltage Architecture	12 V, 24 V, 42 V, 48 V, 240 V, 350 V

Body Features

Color	Yellow
-------	--------

Contact Features

Tab Width	1.5 mm[.059 in]
Tab Thickness	.64 mm[.025 in]

Interface Plating	Tin (Sn)
-------------------	----------

Termination Features

Termination Method	Through Hole - Solder
--------------------	-----------------------

Mechanical Attachment

Locking Interface	With
-------------------	------

PCB Mount Alignment	Without
---------------------	---------

Mounting Holes	With
----------------	------

Panel Mount Feature	Without
---------------------	---------

PCB Mount Retention	Without
---------------------	---------

Mounting Orientation	Horizontal/90°
----------------------	----------------

Housing Features

Centerline (Pitch)	3.7 mm, 4.6 mm [.146 in][.181 in]
--------------------	-----------------------------------

Dimensions

Length	35 mm [1.38 in]
--------	-----------------

PCB Thickness (Recommended)	1.6 mm [.063 in]
-----------------------------	------------------

Profile Height from PCB	21.9 mm [.862 in]
-------------------------	-------------------

Width	105.8 mm [4.165 in]
-------	---------------------

Usage Conditions

Operating Temperature (Max)	100 °C, 105 °C, 65 °C, 70 °C, 75 °C, 80 °C, 85 °C, 90 °C [149 °F][158 °F][167 °F][176 °F][185 °F][194 °F][212 °F][221 °F]
-----------------------------	---

Operating Temperature Range	-30 – 105 °C [-22 – 221 °F]
-----------------------------	-----------------------------

Operation/Application

Circuit Application	Signal
---------------------	--------

Industry Standards

UL Flammability Rating	UL 94V-0
------------------------	----------

Packaging Features

Packaging Type	Tube
----------------	------

Packaging Quantity	4
--------------------	---

Product Compliance

For compliance documentation, visit the product page on [TE.com](https://www.te.com)>



EU RoHS Directive 2011/65/EU	Compliant
EU ELV Directive 2000/53/EC	Compliant
China RoHS 2 Directive MIIT Order No 32, 2016	No Restricted Materials Above Threshold
EU REACH Regulation (EC) No. 1907/2006	Current ECHA Candidate List: JAN 2019 (197) Candidate List Declared Against: JAN 2019 (197)
Halogen Content	Low Halogen - Br, Cl, F, I < 900 ppm per homogenous material. Also BFR/CFR/PVC Free
Solder Process Capability	Wave solder capable to 240°C

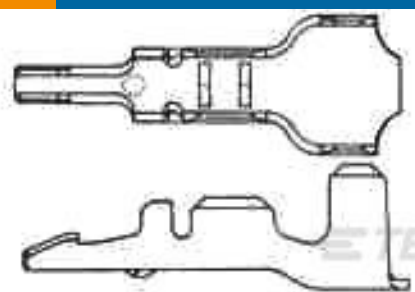
Product Compliance Disclaimer

This information is provided based on reasonable inquiry of our suppliers and represents our current actual knowledge based on the information they provided. This information is subject to change. The part numbers that TE has identified as EU RoHS compliant have a maximum concentration of 0.1% by weight in homogenous materials for lead, hexavalent chromium, mercury, PBB, PBDE, DBP, BBP, DEHP, DIBP, and 0.01% for cadmium, or qualify for an exemption to these limits as defined in the Annexes of Directive 2011/65/EU (RoHS2). Finished electrical and electronic equipment products will be CE marked as required by Directive 2011/65/EU. Components may not be CE marked. Additionally, the part numbers that TE has identified as EU ELV compliant have a maximum concentration of 0.1% by weight in homogenous materials for lead, hexavalent chromium, and mercury, and 0.01% for cadmium, or qualify for an exemption to these limits as defined in the Annexes of Directive 2000/53/EC (ELV). Regarding the REACH Regulations, TE's information on SVHC in articles for this part number is still based on the European Chemical Agency (ECHA) 'Guidance on requirements for substances in articles' (Version: 2, April 2011), applying the 0.1% weight on weight concentration threshold at the finished product level. TE is aware of the European Court of Justice ruling of September 10th, 2015 also known as O5A (Once An Article Always An Article) stating that, in case of 'complex object', the threshold for a SVHC must be applied to both the product as a whole and simultaneously to each of the articles forming part of its composition. TE has evaluated this ruling based on the new ECHA "Guidance on requirements for substances in articles" (June 2017, version 4.0) and will be updating its statements accordingly.

Customers Also Bought



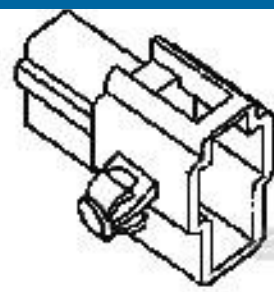
TE Part #1-1473369-4
SQUIB 11DIA SCR ASSY
8.8MM TYPE



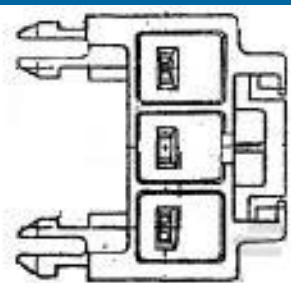
TE Part #170197-1
MINI AMP-IN 24-20 AWG



TE Part #171353-3
S-K BINDER CABLE TIE 3.2
INS



TE Part #172383-5
FF 250 REC HSG 2P
NYLON BLUE P/M



TE Part #178601-4
UNIV. POWER HDR H
ASSY 2P YEL.



TE Part #2-171822-6
EIS REC. HSG 6P-BLACK



TE Part #9-1447177-6
FS2N50.8A9 =JUMPER
NOMEX



Documents

Product Drawings

[PULSE LOCK 42P CAP ASSY](#)

Japanese

CAD Files

Customer View Model

[ENG_CVM_172489-7_D1.3d_igs.zip](#)

English

Customer View Model

[ENG_CVM_172489-7_D1.3d_stp.zip](#)

English

Customer View Model

[ENG_CVM_172489-7_D1.2d_dxf.zip](#)

English

[3D PDF](#)

English

Product Specifications

[PULSE LOCK CONNECTOR](#)

English

[PULSE LOCK CONNECTOR](#)

Japanese

[Product Specification](#)

English

[Product Specification](#)

Japanese