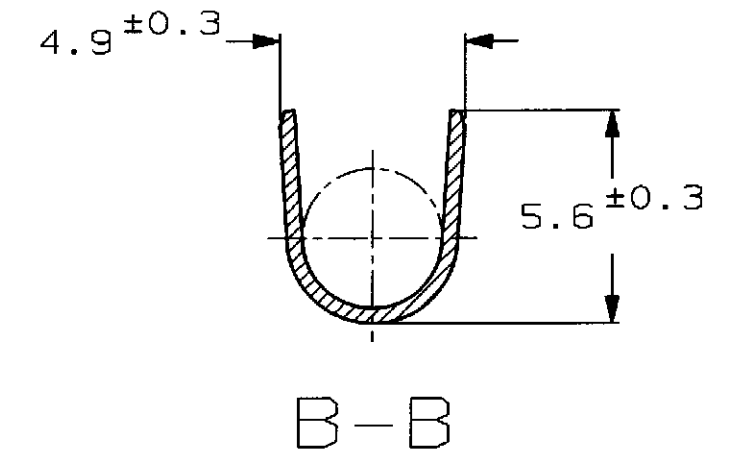
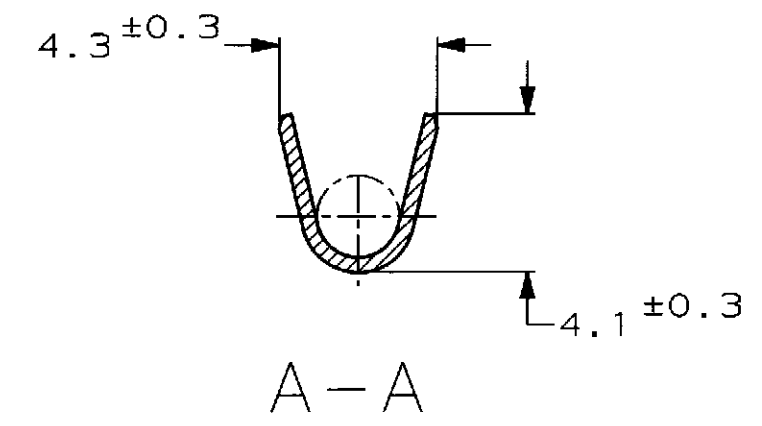
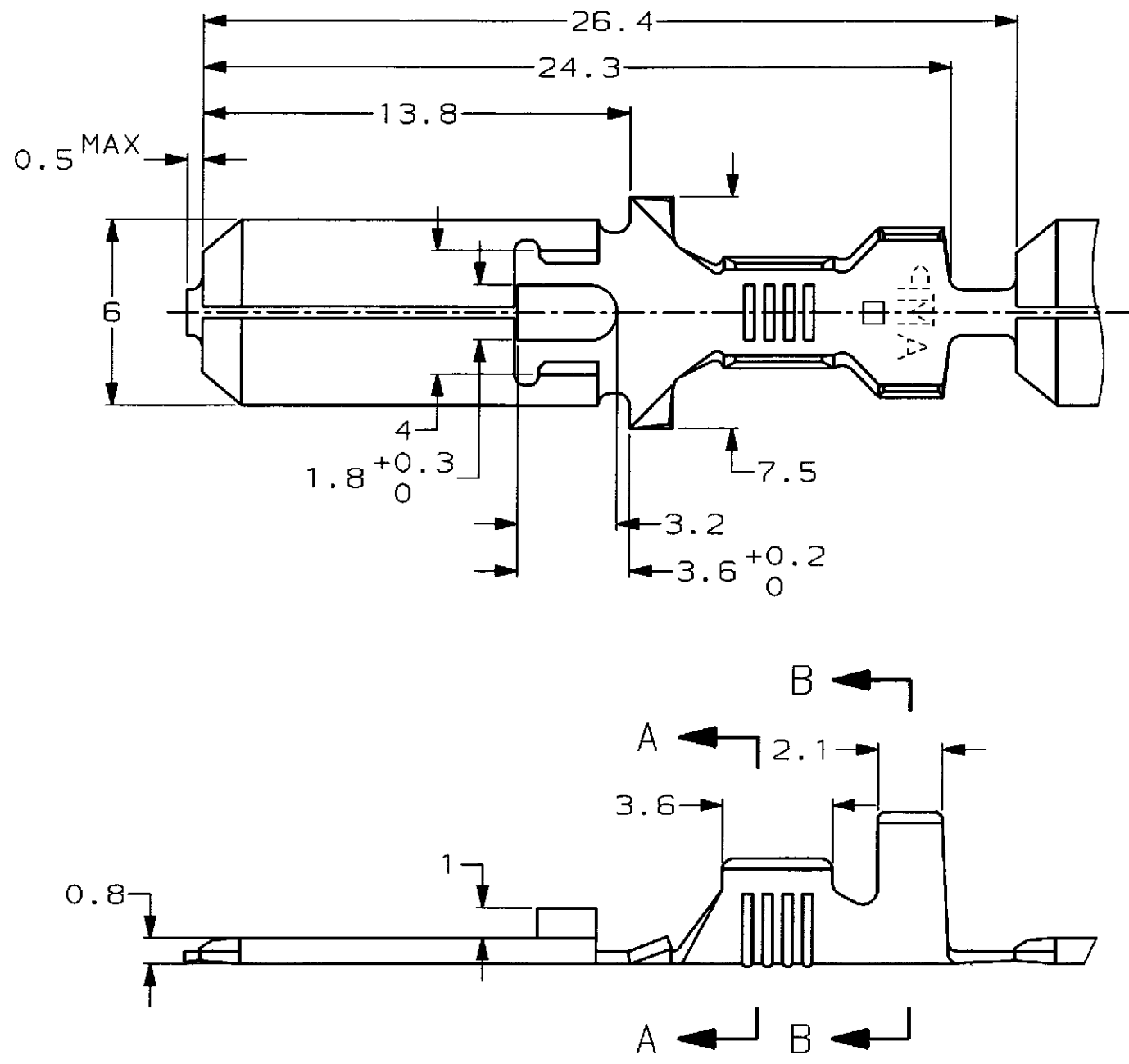


THIS DRAWING IS UNPUBLISHED. RELEASED FOR PUBLICATION .19
 © COPYRIGHT 19 BY AMP INCORPORATED. ALL RIGHTS RESERVED.

LOC	DIST	REVISIONS						
		P	LTR	DESCRIPTION	ECN	DATE	DWN	APVD
J		C		REDRAWN W/OUT CHANGE	FJ00-1146-98	17 JUN 98	TS	KS



#	PRE-TIN BRASS t=0.41 錫めつき済黄銅	170341-4 $\triangle 1$
#	PRE-TIN BRASS t=0.41 錫めつき済黄銅	170341-3
PRE-TIN 錫めつき	BRASS t=0.41 黄銅	170341-2
#	BRASS t=0.41 黄銅	170341-1
仕上げ FINISH	材料 MATERIAL	型番 PART NUMBER

$\triangle 1$ 中間紙を巻いたタイプ
 $\triangle 1$ SEPARATE PAPER TYPE

THIS DRAWING IS A CONTROLLED DOCUMENT FOR AMP INCORPORATED. IT IS SUBJECT TO CHANGE AND THE CONTROLLING ENGINEERING ORGANIZATION SHOULD BE CONTACTED FOR THE LATEST REVISION.		DWN <i>Z Shinohara</i> 16 JUN 98 CHK	INSULATION DIA 被覆外径 2.9~3.8mm
DIMENSIONS 単位・概 mm	TOLERANCES UNLESS OTHERWISE SPECIFIED 一般公差 10% : ±0.2 30% : ±0.25 100% : ±0.3 ANGLE : ±0.3°	APVD <i>H. Kato</i> 16 JUN 98	NAME 名称 250シリーズ ラッチなしタブ 250 SERIES TAB WITHOUT LATCH
MATERIAL 材料 SEE TABLE 表参照	FINISH 仕上 SEE TABLE 表参照	PRODUCT SPEC 製品規格 108-5147, 5153, 5319 APPLICATION SPEC 取付適用規格 114-5052	AMP 日本エー・エム・ピー株式会社 Kawasaki, Japan
CUSTOMER DRAWING		WEIGHT A3 00779	DRAWING NO 番号 C-170341
		SCALE 尺度 5:1	SHEET 1 OF 1 REV C