

1703062-1 ✓ ACTIVE

MATE-N-LOK | Universal MATE-N-LOK

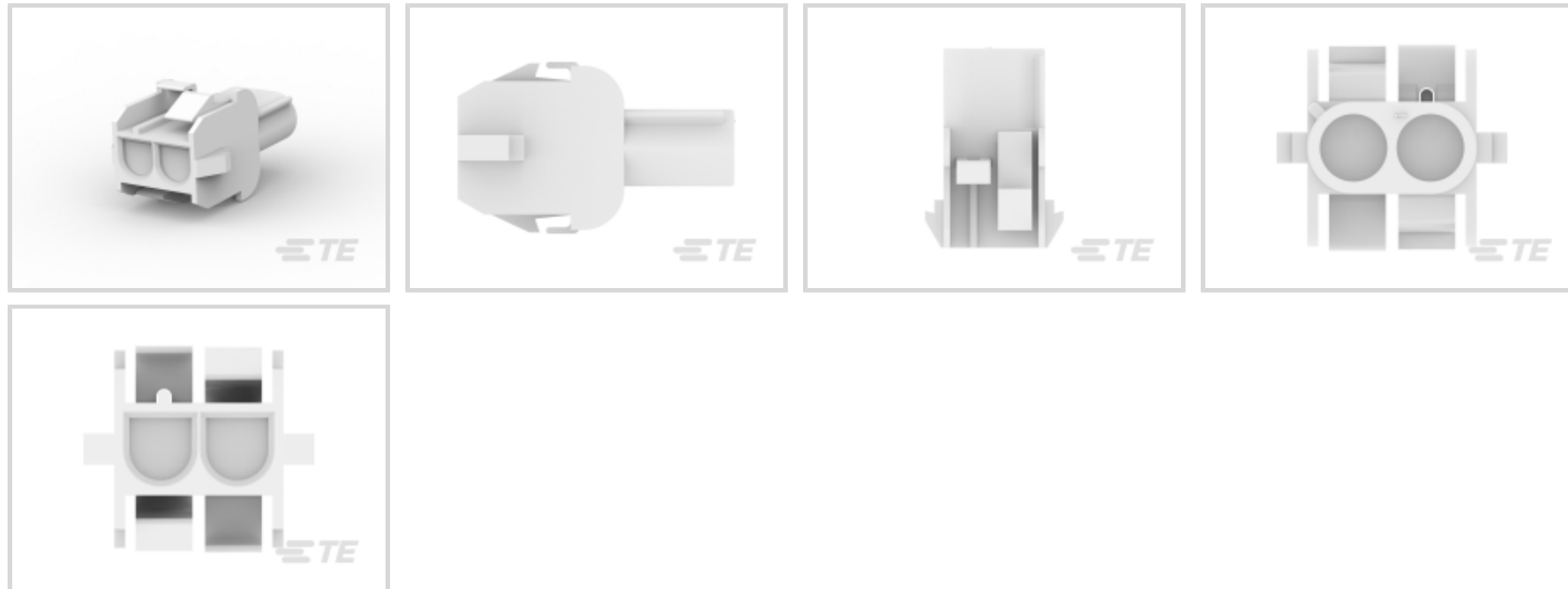
TE Internal #: 1703062-1

Rectangular Power Connectors, Housing, Receptacle, Wire-to-Panel / Wire-to-Wire, 2 Position, .25 in [6.35 mm] Centerline, Universal MATE-N-LOK

[View on TE.com >](#)



Connectors > Power Connectors > Rectangular Power > Rectangular Power Connectors



Rectangular Power Connector Type: **Housing**

Connector & Housing Type: **Receptacle**

Connector System: **Wire-to-Panel, Wire-to-Wire**

Number of Positions: **2**

Centerline (Pitch): **6.35 mm [.25 in]**

Features

Product Type Features

| | |
|-----------------------------------|-----------------------------|
| Rectangular Power Connector Type | Housing |
| Connector & Housing Type | Receptacle |
| Connector System | Wire-to-Panel, Wire-to-Wire |
| Sealable | No |
| Connector & Contact Terminates To | Wire & Cable |

Configuration Features

| | |
|----------------------------|---|
| Number of Positions | 2 |
| Number of Power Positions | 0 |
| Number of Signal Positions | 0 |
| Number of Rows | 1 |

Electrical Characteristics

| | |
|-------------------|---------|
| Operating Voltage | 600 VAC |
|-------------------|---------|

Contact Features

| | |
|----------------|--------|
| Contact Layout | Inline |
|----------------|--------|



| | |
|------------------------|---------|
| Multiple Contact Types | Without |
|------------------------|---------|

| | |
|----------------------------------|---------|
| Contact Retention Within Housing | Without |
|----------------------------------|---------|

| | |
|--------------|-----|
| Contact Type | Pin |
|--------------|-----|

Termination Features

| | |
|------------------------------------|-------|
| Termination Method to Wire & Cable | Crimp |
|------------------------------------|-------|

Mechanical Attachment

| | |
|---------------------|------|
| Panel Mount Feature | With |
|---------------------|------|

| | |
|--------------------------|---------|
| Panel Mount Feature Type | Latches |
|--------------------------|---------|

| | |
|-------------------------|-------------|
| Connector Mounting Type | Panel Mount |
|-------------------------|-------------|

Housing Features

| | |
|--------------------|------------------|
| Centerline (Pitch) | 6.35 mm [.25 in] |
|--------------------|------------------|

| | |
|---------------|---------|
| Housing Color | Natural |
|---------------|---------|

| | |
|------------------|------|
| Housing Material | PA 6 |
|------------------|------|

Dimensions

| | |
|-----------------|------------------------------|
| Panel Thickness | .76 – 2.29 mm [.03 – .09 in] |
|-----------------|------------------------------|

Usage Conditions

| | |
|-----------------------------|-----------------------------|
| Operating Temperature Range | -55 – 125 °C [-67 – 257 °F] |
|-----------------------------|-----------------------------|

Operation/Application

| | |
|------------------------------|---------|
| Assembly Integration Feature | Without |
|------------------------------|---------|

| | |
|---------------------|----------------|
| Circuit Application | Power & Signal |
|---------------------|----------------|

Identification Marking

| | |
|--------------------------------|------|
| Circuit Identification Feature | With |
|--------------------------------|------|

Industry Standards

| | |
|------------|-----------|
| CSA Rating | Certified |
|------------|-----------|

| | |
|------------------------|----------|
| UL Flammability Rating | UL 94V-2 |
|------------------------|----------|

| | |
|------------------|---------------------------|
| Glow Wire Rating | GWT 750°C (Without Flame) |
|------------------|---------------------------|

| | |
|------------------------|--------|
| Agency/Standard Number | E28476 |
|------------------------|--------|

| | |
|-----------------|---------|
| Agency/Standard | CSA, UL |
|-----------------|---------|

| | |
|-----------|------------|
| UL Rating | Recognized |
|-----------|------------|

| | |
|-----------------|--------|
| CSA File Number | LR7189 |
|-----------------|--------|

| | |
|------------|-----|
| VDE Tested | Yes |
|------------|-----|



Packaging Features

| | |
|--------------------|------|
| Packaging Method | Bag |
| Packaging Quantity | 2000 |

Other

| | |
|--------------|--|
| For Use With | Appropriate Universal MATE-N-LOK Cap or Header |
|--------------|--|

Product Compliance

[For compliance documentation, visit the product page on TE.com>](#)

| | |
|---|--|
| EU RoHS Directive 2011/65/EU | Compliant |
| EU ELV Directive 2000/53/EC | Compliant |
| China RoHS 2 Directive MIIT Order No 32, 2016 | No Restricted Materials Above Threshold |
| EU REACH Regulation (EC) No. 1907/2006 | Current ECHA Candidate List: JUNE 2022 (224) Candidate List Declared Against: JAN 2022 (223) SVHC > Threshold: Not Yet Reviewed |
| Halogen Content | Not Low Halogen - contains Br or Cl > 900 ppm. |
| Solder Process Capability | Not reviewed for solder process capability |

Product Compliance Disclaimer

This information is provided based on reasonable inquiry of our suppliers and represents our current actual knowledge based on the information they provided. This information is subject to change. The part numbers that TE has identified as EU RoHS compliant have a maximum concentration of 0.1% by weight in homogenous materials for lead, hexavalent chromium, mercury, PBB, PBDE, DBP, BBP, DEHP, DIBP, and 0.01% for cadmium, or qualify for an exemption to these limits as defined in the Annexes of Directive 2011/65/EU (RoHS2). Finished electrical and electronic equipment products will be CE marked as required by Directive 2011/65/EU. Components may not be CE marked. Additionally, the part numbers that TE has identified as EU ELV compliant have a maximum concentration of 0.1% by weight in homogenous materials for lead, hexavalent chromium, and mercury, and 0.01% for cadmium, or qualify for an exemption to these limits as defined in the Annexes of Directive 2000/53/EC (ELV). Regarding the REACH Regulation, the information TE provides on SVHC in articles for this part number is based on the latest European Chemicals Agency (ECHA) 'Guidance on requirements for substances in articles' posted at this URL: <https://echa.europa.eu/guidance-documents/guidance-on-reach>

Compatible Parts




TE Part # 1-350777-2
02P UMNL V0 PLUG HSG RED



TE Part # 3-350942-0
02P UMNL HDR ASSY R/A 94VO LF



TE Part # 350787-1
02P UMNL PIN HDR ASSY 94VO



TE Part # 350428-4
02P UMNL PIN HDR ASSY NATL AU



TE Part # 350759-5
02P UMNL HDR ASSY PC V2 LF



TE Part # 1-350942-0
02P UMNL HDR ASSY R/A 94VO



TE Part # 350786-3
02P UMNL HDR ASSY AU 94VO



TE Part # 173924-1
2 P ACTION PIN UMNL



TE Part # 350824-1
02P UMNL HDR ASSY PC 94VO



TE Part # 1-480698-9
02P UMNL PLUG HSG BLK



TE Part # 643226-1
02P UMNL HDR ASSY R/A 94VO



TE Part # 641964-1
02P UMNL PIN HDR ASSY POL 94VO



TE Part # 350824-4
02P UMNL HDR ASSY PC LF



TE Part # 350777-1
02P UMNL PLUG HSG



TE Part # 350428-1
02P UMNL PIN HDR ASSY NATL



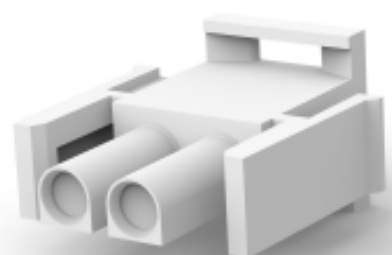
TE Part # 641964-3
02P UMNL PIN HDR ASSY POL LF



TE Part # 770017-1
02P UMNLII IN-LNE PLUG HSG KIT



TE Part # 350786-1
02P UMNL HDR ASSY 94VO



TE Part # 350777-4
02P UMNL PLUG HSG UL94VO



TE Part # 1-480698-2
02P UMNL PLUG HSG RED

Also in the Series | **Universal MATE-N-LOK**



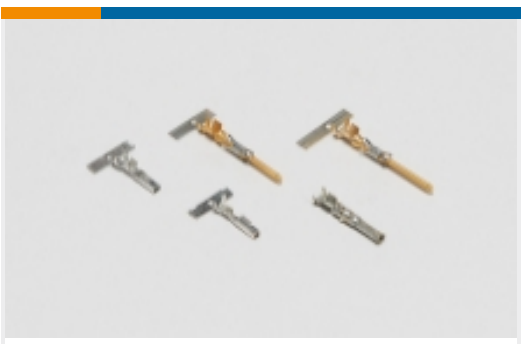
Circular Power Connectors(2)



Connector Contacts(11)



Insertion & Extraction Tools(4)



Power Contacts(207)



Rectangular Boots & Strain Relief(35)



Rectangular Connector Adapters(7)



Rectangular Connector Hardware(1)



Rectangular Connector Housings(2)



Rectangular Connector Keying Plugs(3)



Rectangular Connector Locking(4)



Rectangular Connector Seals(26)



Rectangular Power Connectors(729)

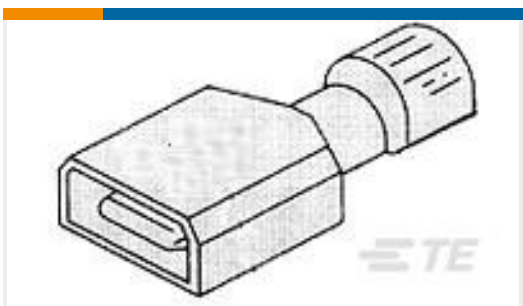
Customers Also Bought



TE Part #1971786-2
PTL TAB CONTACT, 20 - 22 AWG



TE Part #3-640428-5
05P MTA156 CONN ASSY 22AWG RED



TE Part #2-521104-2
ULTRA-FAST 187 ASY REC 22-18 TPBR



TE Part #640383-5
05P MTA156 HDR ASSY STR SQ SN



TE Part #42510-2
250 FASTON REC 22-18 AWG TPBR



TE Part #3-640431-4
04P MTA156 CONN ASSY 18AWG ORA



TE Part #40702
RING 20-14 AWG BR



TE Part #42639-1
RING TERMINAL 14-12 AWG BR



Documents

Product Drawings

[CAP, 2 CIRCUIT , UNIVERSAL MATE-N-LOK](#)

English

CAD Files

[3D PDF](#)

3D

Customer View Model

[ENG_CVM_CVM_1703062-1_A_c-1703062-1-a.2d_dxf.zip](#)

English

Customer View Model

[ENG_CVM_CVM_1703062-1_A_c-1703062-1-a.3d_igs.zip](#)

English

Customer View Model

[ENG_CVM_CVM_1703062-1_A_c-1703062-1-a.3d_stp.zip](#)

English

By downloading the CAD file I accept and agree to the [Terms and Conditions](#) of use.

Datasheets & Catalog Pages

[2_PIECE_POWER_CONNECTORS_qrg_4-1773458-1](#)

English

Product Environmental Compliance

[MD_1703062-1_062520181341_dmtec](#)

English

[MD_1703062-1_062520181341_dmtec](#)

English

Agency Approvals

[VDE Certificate](#)

English