

Product Compliance

[For compliance documentation, visit the product page on TE.com>](#)

EU RoHS Directive 2011/65/EU	Compliant
EU ELV Directive 2000/53/EC	Compliant
China RoHS 2 Directive MIIT Order No 32, 2016	No Restricted Materials Above Threshold
EU REACH Regulation (EC) No. 1907/2006	Current ECHA Candidate List: JUNE 2022 (224) Candidate List Declared Against: JAN 2022 (223) SVHC > Threshold: Not Yet Reviewed
Halogen Content	Low Halogen - Br, Cl, F, I < 900 ppm per homogenous material. Also BFR/CFR/PVC Free
Solder Process Capability	Not applicable for solder process capability

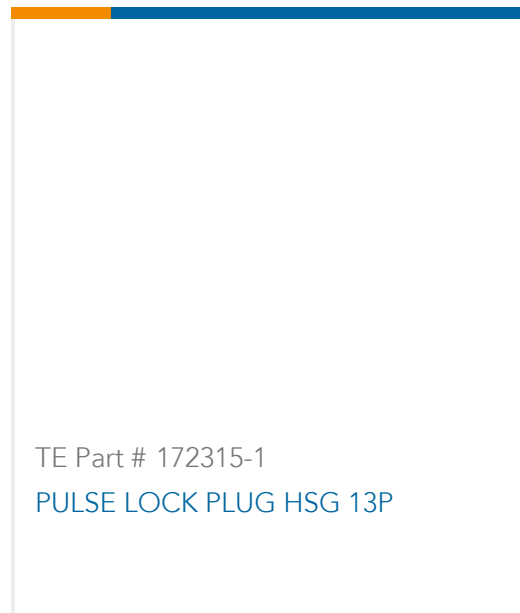
Product Compliance Disclaimer

This information is provided based on reasonable inquiry of our suppliers and represents our current actual knowledge based on the information they provided. This information is subject to change. The part numbers that TE has identified as EU RoHS compliant have a maximum concentration of 0.1% by weight in homogenous materials for lead, hexavalent chromium, mercury, PBB, PBDE, DBP, BBP, DEHP, DIBP, and 0.01% for cadmium, or qualify for an exemption to these limits as defined in the Annexes of Directive 2011/65/EU (RoHS2). Finished electrical and electronic equipment products will be CE marked as required by Directive 2011/65/EU. Components may not be CE marked. Additionally, the part numbers that TE has identified as EU ELV compliant have a maximum concentration of 0.1% by weight in homogenous materials for lead, hexavalent chromium, and mercury, and 0.01% for cadmium, or qualify for an exemption to these limits as defined in the Annexes of Directive 2000/53/EC (ELV). Regarding the REACH Regulation, the information TE provides on SVHC in articles for this part number is based on the latest European Chemicals Agency (ECHA) 'Guidance on requirements for substances in articles' posted at this URL: <https://echa.europa.eu/guidance-documents/guidance-on-reach>

Compatible Parts



TE Part # 724788-1
PULSE LOCK EXT TOOL

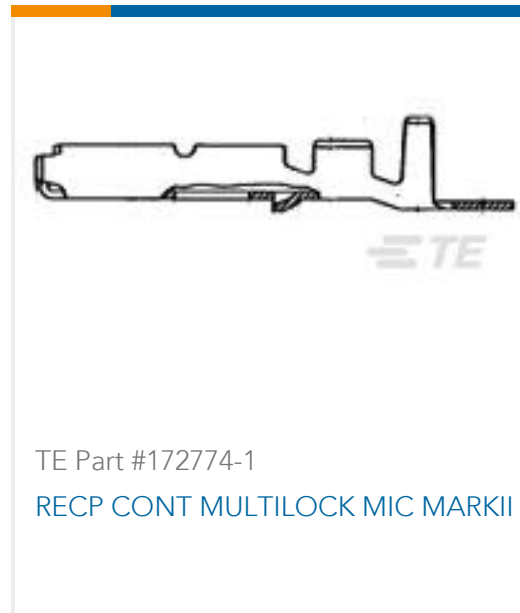


TE Part # 172315-1
PULSE LOCK PLUG HSG 13P

Customers Also Bought



TE Part #171631-1
E-J MK-2 070 TAB CONT



TE Part #172774-1
RECP CONT MULTILOCK MIC MARKII



TE Part #173063-2
.070 ECONOSEAL 2P CAP HSG



TE Part #1-967616-1
6POS MQS REC SEALED COD A



TE Part #3-1447221-4
S/S CONN REC CONTACT ASSEMBLY



TE Part #5-962885-1
MQS0,63 Sn rec LL EDS 0,2-0,35



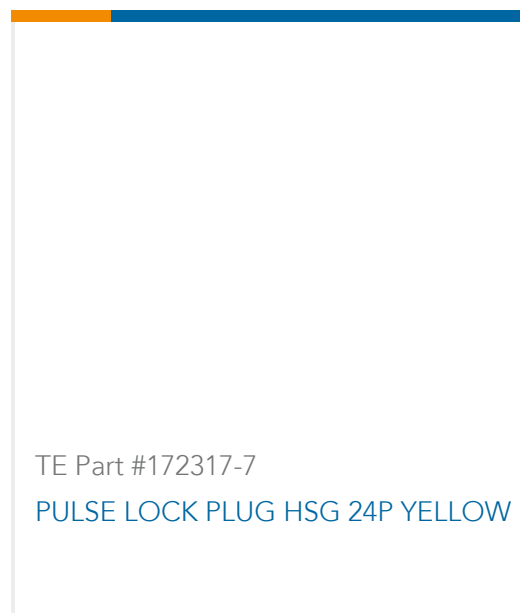
TE Part #170221-1
.5-2.27MM MIC TAB CONT.



TE Part #172777-1
MIC MARE-2 TAB CONTACT



TE Part #183035-1
MINI MIC RCPT CONT.ACT.LP



TE Part #172317-7
PULSE LOCK PLUG HSG 24P YELLOW

Documents

CAD Files

Customer View Model

[ENG_CVM_170353-1_A.3d_igs.zip](#)

English

Customer View Model

[ENG_CVM_170353-1_A.3d_stp.zip](#)

English

Customer View Model

[ENG_CVM_170353-1_A.2d_dxf.zip](#)



English

[3D PDF](#)

English

By downloading the CAD file I accept and agree to the [Terms and Conditions](#) of use.

[Product Specifications](#)

[Application Specification](#)

English

[Application Specification](#)

Japanese

[CRIMPING OF PULSE LOCK CONNECTOR RECEPTACLE CONTACT](#)

English

[CRIMPING OF PULSE LOCK CONNECTOR RECEPTACLE CONTACT](#)

Japanese