

1718879-2 ✓ ACTIVE

AMP | Timer Connector System

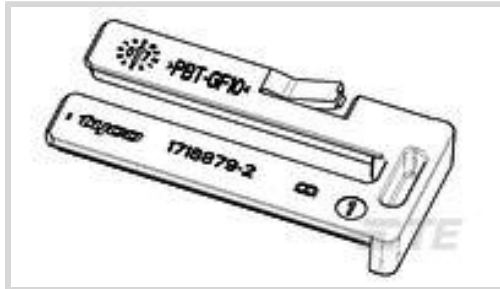
TE Internal #: 1718879-2

Automotive Connector Locks & Position Assurance, TPA (Terminal Position Assurance), Natural, Wire-to-Board, PBT GF, Timer Connector System

[View on TE.com >](#)



Connectors > Automotive Connectors > Connector Accessories > Locks & Position Assurance



Connector & Contact Retention Accessory Type: **TPA (Terminal Position Assurance)**

Primary Product Color: **Natural**

Connector System: **Wire-to-Board**

Primary Product Material: **PBT GF**

Operating Temperature Range: **-40 – 120 °C [-40 – 248 °F]**

Features

Product Type Features

Connector & Contact Retention Accessory Type	TPA (Terminal Position Assurance)
Connector System	Wire-to-Board

Body Features

Primary Product Color	Natural
Primary Product Material	PBT GF

Usage Conditions

Operating Temperature Range	-40 – 120 °C [-40 – 248 °F]
-----------------------------	-------------------------------

Industry Standards

UL Flammability Rating	UL 94HB
------------------------	---------

Packaging Features

Packaging Quantity	800
Packaging Method	Box & Carton

Other

Serviceable	Yes
-------------	-----

Product Compliance

[For compliance documentation, visit the product page on TE.com>](#)



EU RoHS Directive 2011/65/EU	Compliant
EU ELV Directive 2000/53/EC	Compliant
China RoHS 2 Directive MIIT Order No 32, 2016	No Restricted Materials Above Threshold
EU REACH Regulation (EC) No. 1907/2006	Current ECHA Candidate List: JUNE 2022 (224) Candidate List Declared Against: JAN 2022 (223) SVHC > Threshold: Not Yet Reviewed
Halogen Content	Low Halogen - Br, Cl, F, I < 900 ppm per homogenous material. Also BFR/CFR/PVC Free
Solder Process Capability	Not applicable for solder process capability

Product Compliance Disclaimer

This information is provided based on reasonable inquiry of our suppliers and represents our current actual knowledge based on the information they provided. This information is subject to change. The part numbers that TE has identified as EU RoHS compliant have a maximum concentration of 0.1% by weight in homogenous materials for lead, hexavalent chromium, mercury, PBB, PBDE, DBP, BBP, DEHP, DIBP, and 0.01% for cadmium, or qualify for an exemption to these limits as defined in the Annexes of Directive 2011/65/EU (RoHS2). Finished electrical and electronic equipment products will be CE marked as required by Directive 2011/65/EU. Components may not be CE marked. Additionally, the part numbers that TE has identified as EU ELV compliant have a maximum concentration of 0.1% by weight in homogenous materials for lead, hexavalent chromium, and mercury, and 0.01% for cadmium, or qualify for an exemption to these limits as defined in the Annexes of Directive 2000/53/EC (ELV). Regarding the REACH Regulation, the information TE provides on SVHC in articles for this part number is based on the latest European Chemicals Agency (ECHA) 'Guidance on requirements for substances in articles' posted at this URL: <https://echa.europa.eu/guidance-documents/guidance-on-reach>

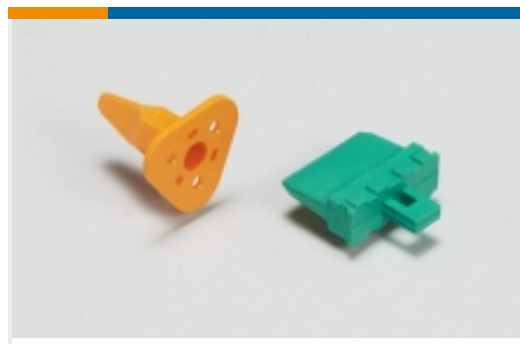
Compatible Parts



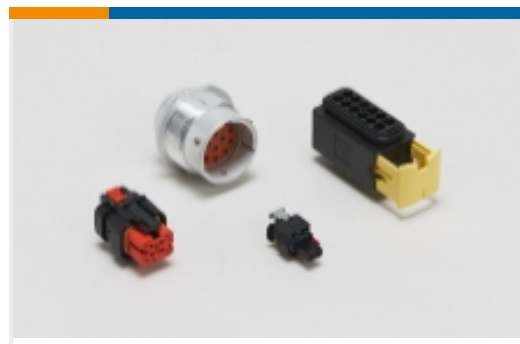
Also in the Series | **Timer Connector System**



Automotive Connector Caps & Covers (11)



Automotive Connector Locks & Position Assurance(16)



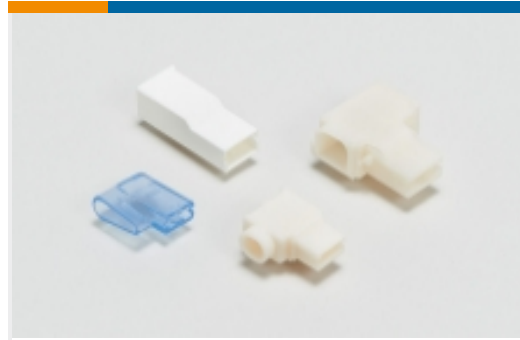
Automotive Housings(219)



Automotive Seals & Cavity Plugs(31)



Automotive Terminals(140)



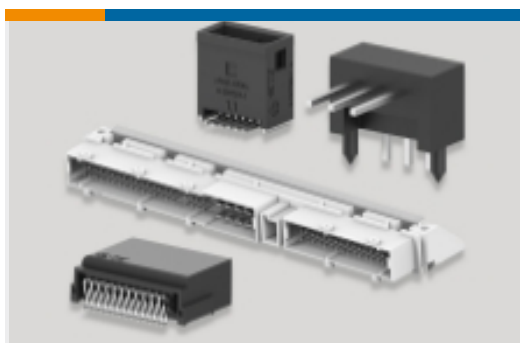
Crimp Terminal Housings(13)



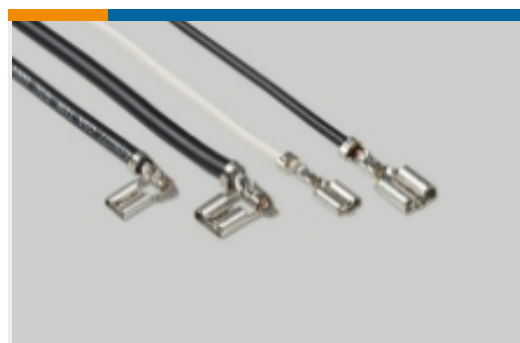
Insertion & Extraction Tools(20)



Other Automotive Connector Accessories(1)



PCB Headers & Receptacles(78)



Quick Disconnects(4)

Customers Also Bought



TE Part #1674312-1
TH/.025 CONNECTOR SYSTEM,
HOUSING



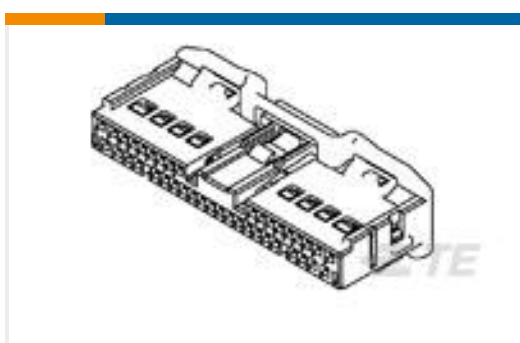
TE Part #1241418-4
AMP MCP 6.3/4.8K, CONTACT, SWS



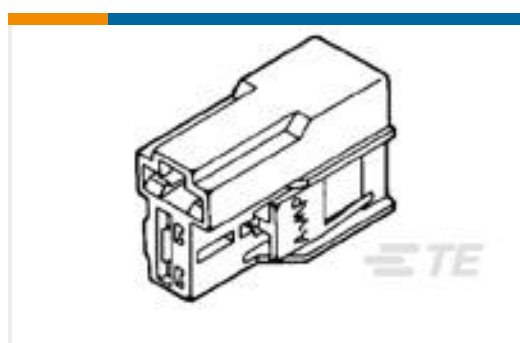
TE Part #964273-1
JPT A REC 2.8 Contact SWS Sn



TE Part #316838-1
040-3 REC CONTACT M PRE-TIN



TE Part #1827842-1
0.50 SERIES CONN 40POS PLUG
ASSY TYPE-A



TE Part #172434-2
POSITIVE LOCK 250 (6.3 MM)
HOUSING



TE Part #2013031-2
0.50 SERIES 24POS PLUG ASSY

Documents



Product Drawings

RETAINER, 5-6POS. HSG.

English

CAD Files

3D PDF

3D

Customer View Model

[ENG_CVM_CVM_1718879-2_B.2d_dxf.zip](#)

English

Customer View Model

[ENG_CVM_CVM_1718879-2_B.3d_igs.zip](#)

English

Customer View Model

[ENG_CVM_CVM_1718879-2_B.3d_stp.zip](#)

English

By downloading the CAD file I accept and agree to the [Terms and Conditions](#) of use.

Product Specifications

5 & 6 pol; JPT -A-/AMP MCP 6.3 Buchsengehäuse, Zusammenbau, gedichtet

German

Application Specification

German

Product Environmental Compliance

Product Compliance

English

Product Compliance

English