



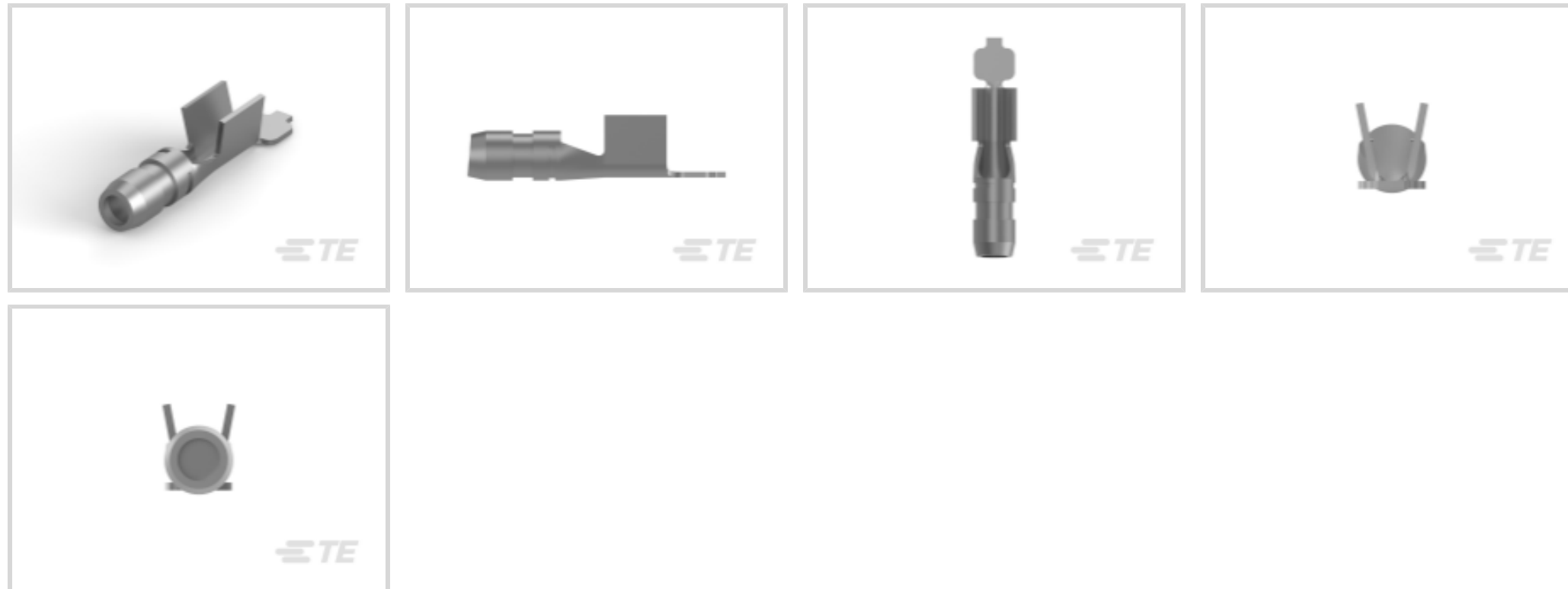
SHUR-PLUG 156

TE Internal #: 1742039-1

Crimp Wire Pins, Tabs & Ferrules, Shur-Plug, Pin Diameter 3.96 mm [.156 in], 14 – 10 AWG Wire Size, 2 – 6 mm² Wire Size, SHUR-PLUG 156

[View on TE.com >](#)

Terminals & Splices > Crimp Wire Pins, Tabs & Ferrules



Crimp Wire Pin, Tab & Ferrule Terminal Type: **Shur-Plug**

Pin Diameter: **3.96 mm [.156 in]**

Wire Size: **4106 – 10382 CMA**

Features

Product Type Features

Compatible With Discrete Wire Type	Stranded
------------------------------------	----------

Configuration Features

Compatible With Wire & Cable Type	Discrete Wire
-----------------------------------	---------------

Body Features

Double Wire	No
-------------	----

Contact Features

Crimp Wire Pin, Tab & Ferrule Terminal Type	Shur-Plug
Barrel Type	Closed
Terminal Plating Material	Pre-Tin
Terminal Orientation	Straight

Termination Features

Bullet Terminal	Without
-----------------	---------

Mechanical Attachment

Wire Insulation Support	Without
-------------------------	---------

Dimensions



Pin Diameter	3.96 mm[.156 in]
Wire Size	4106 – 10382 CMA
Barrel Inside Diameter	1.91 mm[.075 in]
Terminal Material Thickness	.46 mm[.018 in]
Overall Product Length	20.45 mm[.805 in]

Usage Conditions

Insulation Option	Uninsulated
Operating Temperature Range	-40 – 105 °C[-40 – 221 °F]

Operation/Application

Heavy Duty	No
------------	----

Packaging Features

Packaging Quantity	12000
Packaging Method	Strip

Product Compliance

[For compliance documentation, visit the product page on TE.com>](#)

EU RoHS Directive 2011/65/EU	Compliant
EU ELV Directive 2000/53/EC	Compliant
China RoHS 2 Directive MIIT Order No 32, 2016	No Restricted Materials Above Threshold
EU REACH Regulation (EC) No. 1907/2006	Current ECHA Candidate List: JUNE 2022 (224) Candidate List Declared Against: JAN 2022 (223) SVHC > Threshold: Not Yet Reviewed
Halogen Content	Low Halogen - Br, Cl, F, I < 900 ppm per homogenous material. Also BFR/CFR/PVC Free
Solder Process Capability	Not applicable for solder process capability

Product Compliance Disclaimer

This information is provided based on reasonable inquiry of our suppliers and represents our current actual knowledge based on the information they provided. This information is subject to change. The part numbers that TE has identified as EU RoHS compliant have a maximum concentration of 0.1% by weight in homogenous materials for lead, hexavalent chromium, mercury, PBB, PBDE, DBP, BBP, DEHP, DIBP, and 0.01% for cadmium, or qualify for an exemption to these limits as defined in the Annexes of Directive 2011/65/EU (RoHS2). Finished electrical and electronic equipment products will be CE marked as required by Directive 2011/65/EU. Components may not be CE marked. Additionally, the part numbers that TE has identified as EU ELV compliant have a maximum concentration of 0.1% by weight in homogenous materials for lead, hexavalent chromium, and mercury, and 0.01% for cadmium, or qualify for an exemption to these limits

as defined in the Annexes of Directive 2000/53/EC (ELV). Regarding the REACH Regulation, the information TE provides on SVHC in articles for this part number is based on the latest European Chemicals Agency (ECHA) 'Guidance on requirements for substances in articles' posted at this URL: <https://echa.europa.eu/guidance-documents/guidance-on-reach>

Compatible Parts



TE Part # 42891-2
SHUR PLUG 180 RECEPTACLE 14-10 AWG TPBR



TE Part # 42865-3
SHUR PLUG 180 REVERSE REEL 14-10 AWG TPBR



TE Part # 42868-2
SHUR PLUG 180 RECEPTACLE 14-10 AWG TPBR



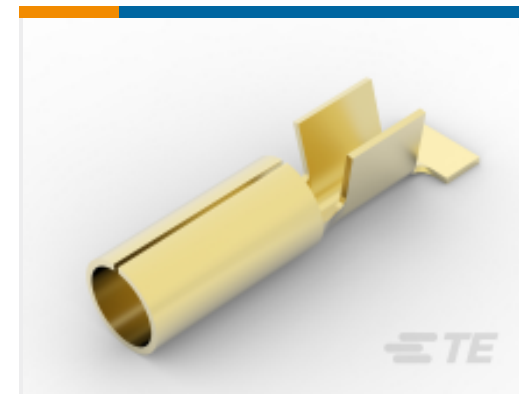
TE Part # 61802-1
SHUR PLUG .156 18-14 AWG PTPBR



TE Part # 1217606-1
.156 DIA SHUR PLUG PTPBR



TE Part # 42865-1
SHUR PLUG .180 14-10 AWG BR



TE Part # 42868-1
SHUR PLUG 180 RECEPTACLE 14-10 AWG BR



TE Part # 42891-1
SHUR PLUG 180 RECEPTACLE 14-10 AWG BR



TE Part # 62739-1
SHUR PLUG .180 18-14 AWG PTPBR



TE Part # 62829-3
156 SHUR PLUG 018 PTPBR



TE Part # 63925-1
SHUR PLUG .156 Dia 14-12 AWG PTPBR



TE Part # 444154-2
SHUR PLUG 180 0.5-1.0MM2 0.45X27.6 PTPBR

Also in the Series | SHUR-PLUG 156



Crimp Wire Pins, Tabs & Ferrules(24)

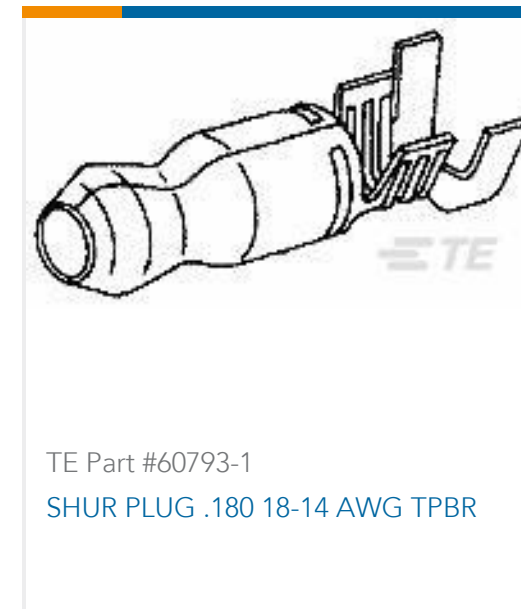
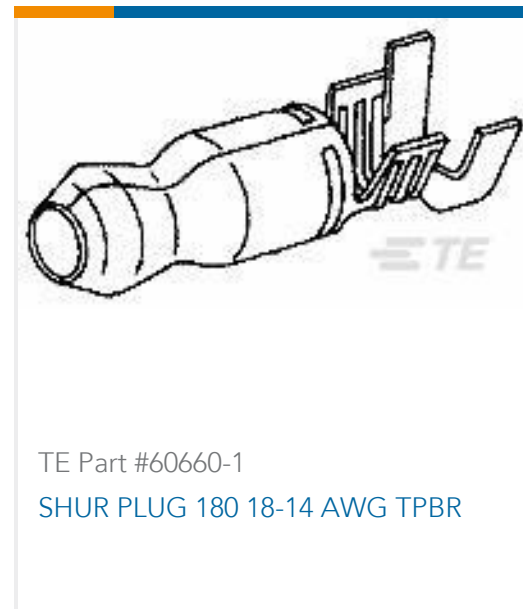
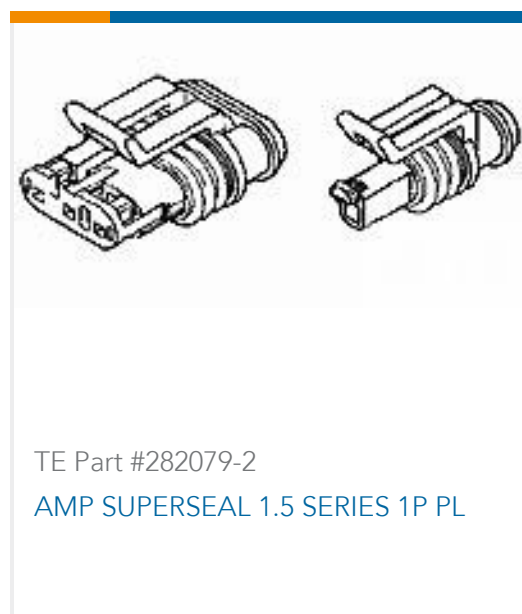


Ring Terminals & Spade Terminals(6)



Special Purpose Terminals(1)

Customers Also Bought



Documents

Product Drawings

[SHUR PLUG .156 DIA REC 10-14 AWG PTPBR](#)

English

CAD Files

[3D PDF](#)

3D

Customer View Model

[ENG_CVM_CVM_1742039-1_D1.2d_dxf.zip](#)

English

Customer View Model

[ENG_CVM_CVM_1742039-1_D1.3d_igs.zip](#)

English

Customer View Model

[ENG_CVM_CVM_1742039-1_D1.3d_stp.zip](#)

English

By downloading the CAD file I accept and agree to the [Terms and Conditions](#) of use.

Product Specifications



Application Specification

English