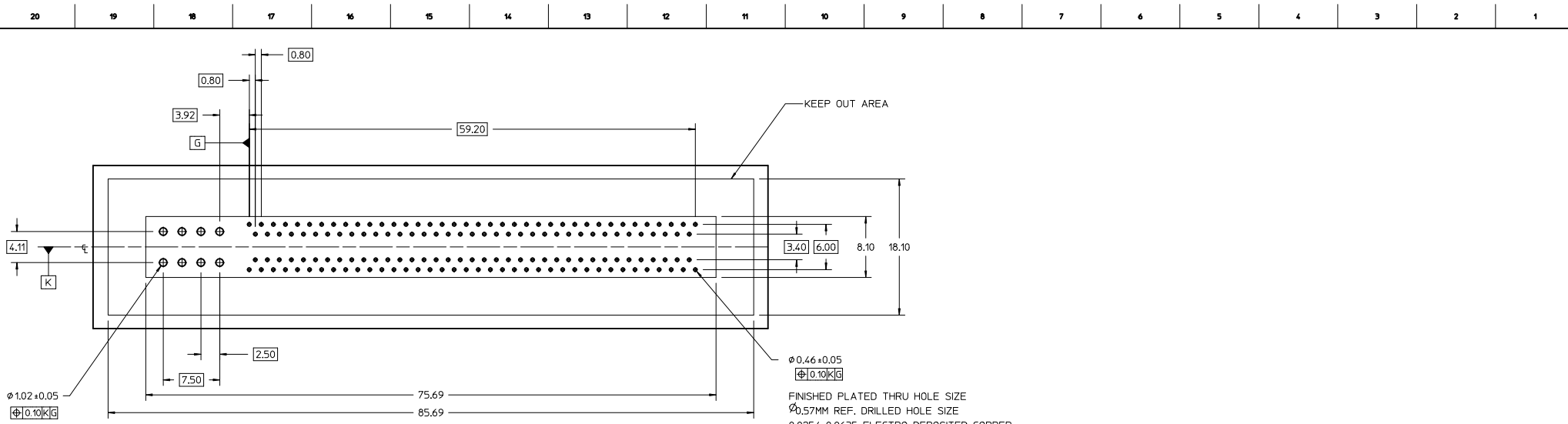


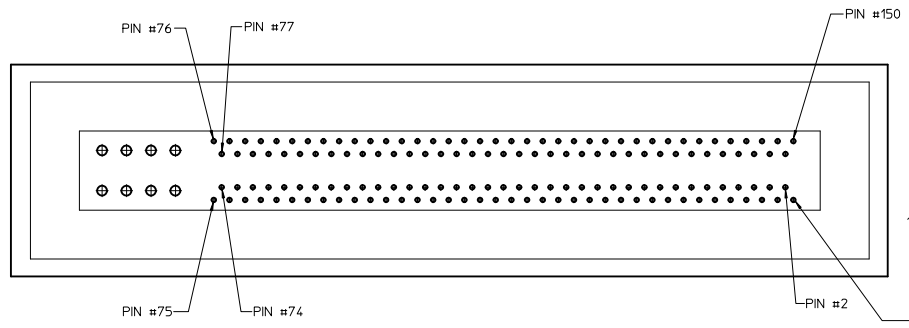
- NOTES:
- MATERIAL:  
HOUSING - GLASS FILLED THERMOPLASTIC, 94-V0, BLACK  
TERMINALS - COPPER ALLOY
  - FINISH:  
CONTACT AREA: HARD GOLD - 0.76µm MIN OVER 3.80µ NICKEL  
COMPLIANT AREA: TIN - 0.76/152µm OVER NICKEL
  - REFER TO PS-76861-100 PRODUCT SPECIFICATION FOR ALL ELECTRICAL, MECHANICAL AND ENVIRONMENTAL SPECIFICATIONS.
  - REFER TO PK-170545-5000 FOR ALL PACKAGING SPECIFICATIONS.
  - PROCESSING: PRESSFIT TO PC BOARD.
  - MATING PC BOARD THICKNESS = 2.36±0.16MM OVER CONTACT PADS.
  - PRODUCT IS ELV AND RoHS COMPLIANT. LEVEL OF COMPLIANCE: 6/6  
ALL BANNED SUBSTANCES ARE REMOVED:  
Pb (LEAD)  
HEXAVALENT CHROMIUM (CrVI)  
CADMIUM  
MERCURY  
POLYBROMINATED BIPHENYL (PBB)  
POLYBROMINATED DIPHENYL ETHER (PBDE)
  - THIS PART CONFORMS TO CLASS B REQUIREMENTS OF COSMETIC SPEC PS-45499-002
  - MAXIMUM SCREW TORQUE FORCE 0.12Nm.

CHANGED TO PK-170545-5000 IEC NO. UCF2011-2289 DRAWN/DROSCA 2011/01/31 CHKD: JCOMERCI APPR: JCOMERCI 2011/01/31	QUALITY SYMBOLS	GENERAL TOLERANCES (UNLESS SPECIFIED)	DIMENSION STYLE MM ONLY	SCALE 4:1	DESIGN UNITS METRIC	THIRD ANGLE PROJECTION
	▽ - 0	4 PLACES ± --- ± ---	mm INCH	DRAWN BY DATE DROSCA 2010/05/17	TITLE ESP 150 CKTS, 0.093"PCB 0.8MM PITCH 1 POWER BAY	
	▽ - 2	3 PLACES ± 0.13 ± ---		CHECKED BY DATE JCOMERCI 2010/05/18	MATERIAL NO. DATE JCOMERCI 2010/12/03	
	▽ - 0	1 PLACE ± 0.25 ± ---	ANGULAR ± 1/2°	APPROVED BY DATE JCOMERCI 2010/12/03	DOCUMENT NO. SHEET NO. 1705451150 SD-170545-1150 1 OF 4	
	DRAFT WHERE APPLICABLE MUST REMAIN WITHIN DIMENSIONS		SIZE D	THIS DRAWING CONTAINS INFORMATION THAT IS PROPRIETARY TO MOLEX INCORPORATED AND SHOULD NOT BE USED WITHOUT WRITTEN PERMISSION		

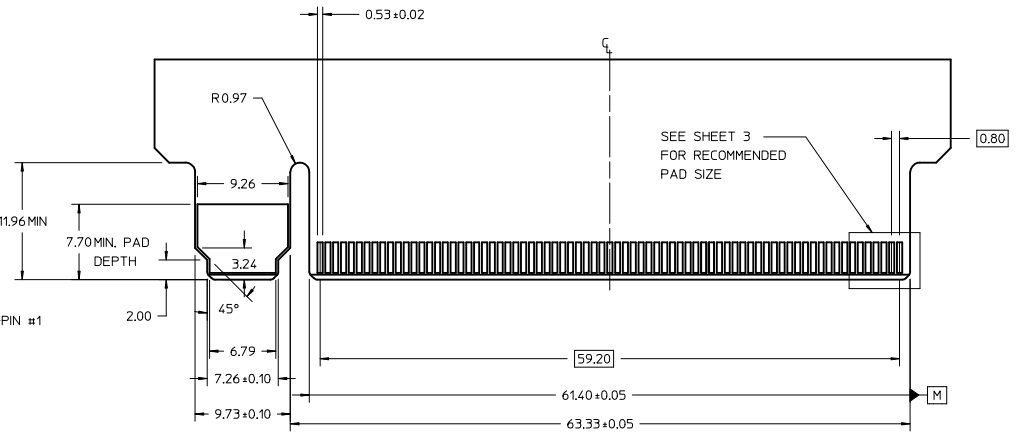


FINISHED PLATED THRU HOLE SIZE  
 $\phi 1.15\text{MM}$  REF. DRILLED HOLE SIZE  
 0.0254-0.0635 ELECTRO DEPOSITED COPPER

$\phi 0.46 \pm 0.05$   
 $\phi 0.10 \pm 0.05$   
 FINISHED PLATED THRU HOLE SIZE  
 $\phi 0.57\text{MM}$  REF. DRILLED HOLE SIZE  
 0.0254-0.0635 ELECTRO DEPOSITED COPPER



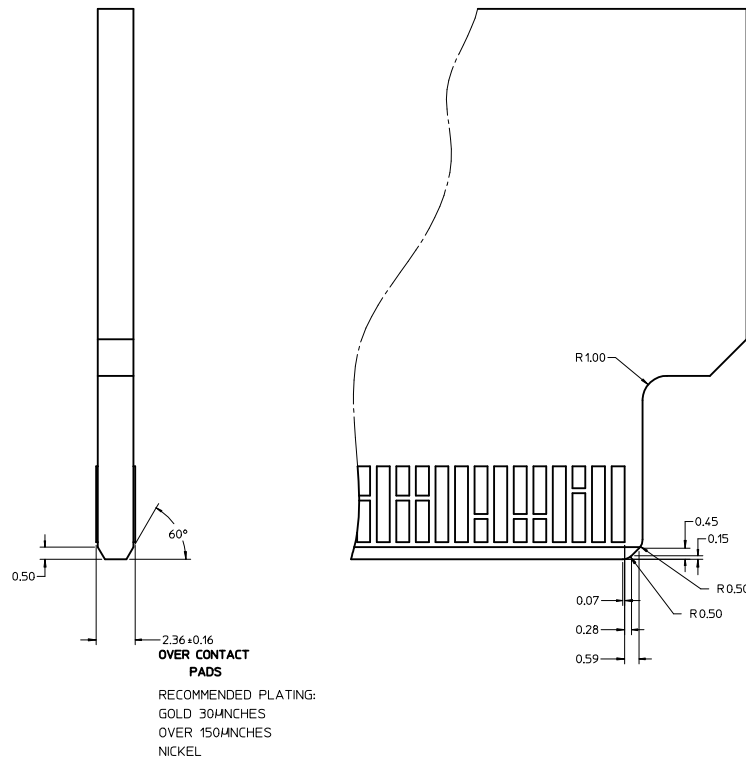
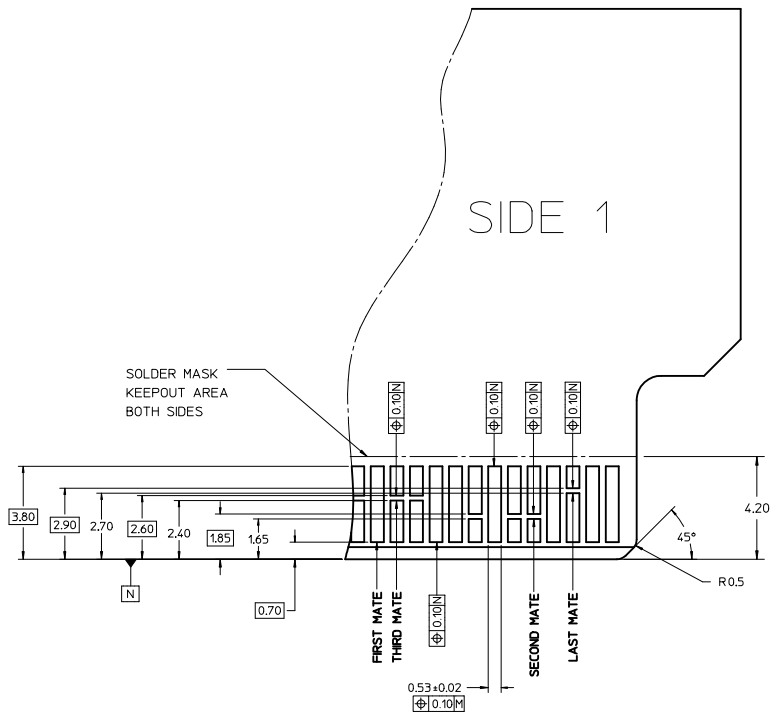
MOTHER BOARD HOLE LAYOUT  
 (COMPONENT SIDE)



DAUGHTER CARD

<b>SEE SHEET 1</b> IEC NO. UCP2011-2289 DRAWN BY: DROSCA CHYD: APPR: JCOMERCI 2011/01/31 2011/01/31	QUALITY SYMBOLS	GENERAL TOLERANCES (UNLESS SPECIFIED)	DIMENSION STYLE	SCALE	DESIGN UNITS	THIRD ANGLE PROJECTION															
	$\nabla=0$ $\nabla=0$	<table border="1"> <thead> <tr> <th></th> <th>mm</th> <th>INCH</th> </tr> </thead> <tbody> <tr> <td>4 PLACES</td> <td>±0.13</td> <td>±0.005</td> </tr> <tr> <td>3 PLACES</td> <td>±0.25</td> <td>±0.010</td> </tr> <tr> <td>2 PLACES</td> <td>±0.38</td> <td>±0.015</td> </tr> <tr> <td>1 PLACE</td> <td>±0.51</td> <td>±0.020</td> </tr> </tbody> </table>		mm	INCH	4 PLACES	±0.13	±0.005	3 PLACES	±0.25	±0.010	2 PLACES	±0.38	±0.015	1 PLACE	±0.51	±0.020	MM ONLY	4:1	METRIC	
		mm	INCH																		
	4 PLACES	±0.13	±0.005																		
3 PLACES	±0.25	±0.010																			
2 PLACES	±0.38	±0.015																			
1 PLACE	±0.51	±0.020																			
DRAWN BY: DROSCA DATE: 2010/05/17 CHECKED BY: JCOMERCI DATE: 2010/05/18 APPROVED BY: JCOMERCI DATE: 2010/12/03	MATERIAL NO. <b>SEE SHEET 1</b> SIZE D	TITLE <b>ESP 150 CKTS, 0.093"PCB          0.8MM PITCH          1 POWER BAY</b>	MOLEX INCORPORATED	DOCUMENT NO. <b>SD-170545-1150</b>	SHEET NO. 2 OF 4																
DRAFT WHERE APPLICABLE MUST REMAIN WITHIN DIMENSIONS THIS DRAWING CONTAINS INFORMATION THAT IS PROPRIETARY TO MOLEX INCORPORATED AND SHOULD NOT BE USED WITHOUT WRITTEN PERMISSION																					

# MODULE EDGE CARD CONTACT DETAIL



**Note:**

These are generic details that describe the configuration of various PCB design elements. The customer must determine where and when to use each element to accommodate their specific application.

<b>SEE SHEET 1</b> IEC NO: UCP2011-2289 DRAWN: DROSCA 2011/01/31 CHYD: APPR: JCOMERCL 2011/01/31	QUALITY SYMBOLS ▽=0 ▽=0	GENERAL TOLERANCES (UNLESS SPECIFIED) 4 PLACES ± mm INCH 3 PLACES ± --- ± --- 2 PLACES ± 0.13 ± --- 1 PLACE ± 0.25 ± --- ANGULAR ± 1/2°	DIMENSION STYLE MM ONLY	SCALE 10:1	DESIGN UNITS METRIC	THIRD ANGLE PROJECTION	
	DRAFT WHERE APPLICABLE MUST REMAIN WITHIN DIMENSIONS	DRAWN BY DROSCA	DATE 2010/05/17	TITLE ESP 150 CKTS, 0.093"PCB 0.8MM PITCH 1 POWER BAY	MOLEX INCORPORATED		
	MATERIAL NO. SEE SHEET 1	DATE 2010/12/03	DOCUMENT NO. SD-170545-1150	SHEET NO. 3 OF 4			
	THIS DRAWING CONTAINS INFORMATION THAT IS PROPRIETARY TO MOLEX INCORPORATED AND SHOULD NOT BE USED WITHOUT WRITTEN PERMISSION						

170545-1150 LEGEND ESP 150 CIRCUITS / 0.093"PCB					
COMPONENT SIDE 1			COMPONENT SIDE 2		
PIN NO.	SIGNAL	ALLEGRO PIN NO.			PIN NO.
150		○	○	○	1
149		○	○	○	2
148		○	○	○	3
147		○	○	○	4
146		○	○	○	5
145		○	○	○	6
144		○	○	○	7
143		○	○	○	8
142		○	○	○	9
141		○	○	○	10
140		○	○	○	11
139		○	○	○	12
138		○	○	○	13
137		○	○	○	14
136		○	○	○	15
135		○	○	○	16
134		○	○	○	17
133		○	○	○	18
132		○	○	○	19
131		○	○	○	20
130		○	○	○	21
129		○	○	○	22
128		○	○	○	23
127		○	○	○	24
126		○	○	○	25
125		○	○	○	26
124		○	○	○	27
123		○	○	○	28
122		○	○	○	29
121		○	○	○	30
120		○	○	○	31
119		○	○	○	32
118		○	○	○	33
117		○	○	○	34
116		○	○	○	35
115		○	○	○	36
114		○	○	○	37
113		○	○	○	38
112		○	○	○	39
111		○	○	○	40
110		○	○	○	41
109		○	○	○	41
108		○	○	○	43
107		○	○	○	44
106		○	○	○	45
105		○	○	○	46
104		○	○	○	47
103		○	○	○	48
102		○	○	○	49
101		○	○	○	50
100		○	○	○	51
99		○	○	○	52
98		○	○	○	53
97		○	○	○	54
96		○	○	○	55
95		○	○	○	56
94		○	○	○	57
93		○	○	○	58
92		○	○	○	59
91		○	○	○	60
90		○	○	○	61
89		○	○	○	62
88		○	○	○	63
87		○	○	○	64
86		○	○	○	65
85		○	○	○	66
84		○	○	○	67
83		○	○	○	68
82		○	○	○	69
81		○	○	○	70
80		○	○	○	71
79		○	○	○	72
78		○	○	○	73
77		○	○	○	74
76		○	○	○	75
POWER					RETURN
POWER, 2 CIRCUIT					

<b>SEE SHEET 1</b> IEC NO: UCP2011-2289 DRAWN BY: DROSCA CHKD: JCOMERCI APPR: JCOMERCI DATE: 2011/01/31	QUALITY SYMBOLS ▽=0 ▽=0	GENERAL TOLERANCES (UNLESS SPECIFIED)		DIMENSION STYLE <b>MM ONLY</b>	SCALE <b>4:1</b>	DESIGN UNITS <b>METRIC</b>	THIRD ANGLE PROJECTION
		4 PLACES ± mm INCH 3 PLACES ± --- ± --- 2 PLACES ± 0.13 ± --- 1 PLACE ± 0.25 ± ---	DRAWN BY: DROSCA DATE: 2010/05/17	TITLE <b>ESP 150 CKTS. 0.093"PCB                  0.8MM PITCH                  1 POWER BAY</b>			
		ANGULAR ±1/2°	CHECKED BY: JCOMERCI DATE: 2010/05/18	APPROVED BY: JCOMERCI DATE: 2010/12/03			
		DRAFT WHERE APPLICABLE MUST REMAIN WITHIN DIMENSIONS	MATERIAL NO: <b>SEE SHEET 1</b>	DOCUMENT NO: <b>SD-170545-1150</b>	SHEET NO. <b>4 OF 4</b>		