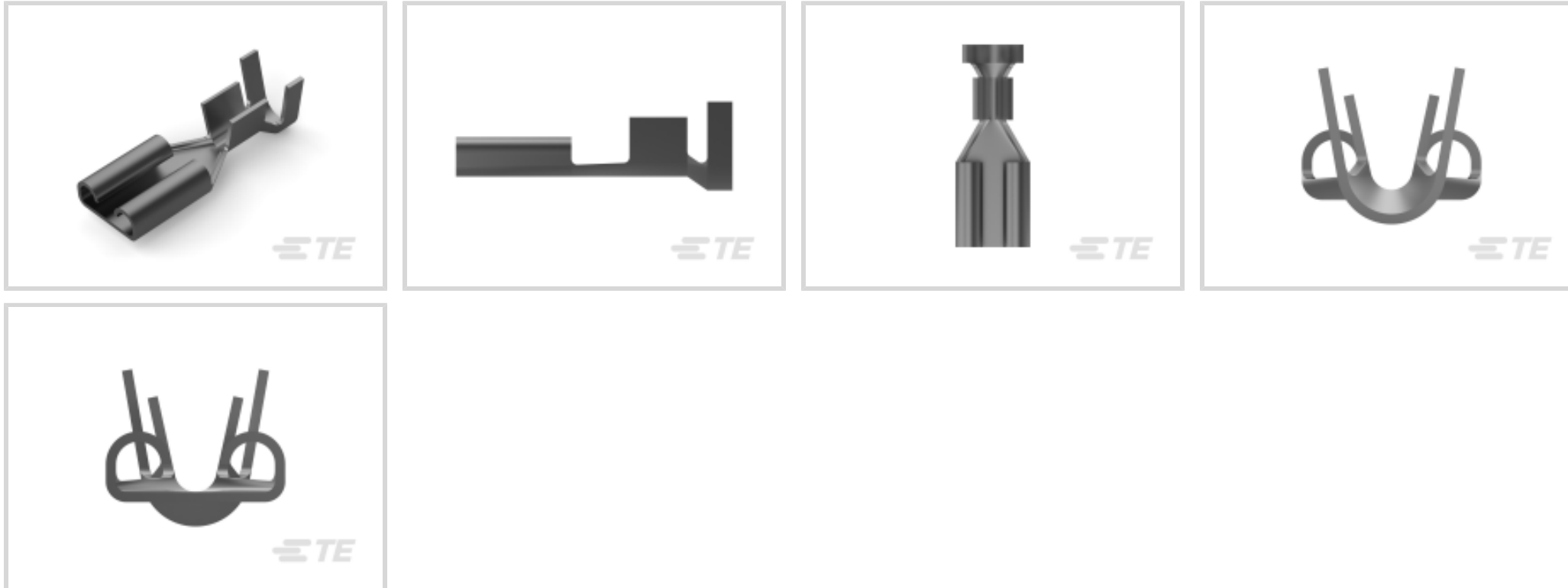




Terminals & Splices > Quick Disconnects



Quick Disconnect Terminal Type: **Receptacle**

Wire Size: .82 – 2.08 mm<sup>2</sup>

Mating Tab Width: 4.75 mm [.187 in ]

Mating Tab Thickness: .51 mm [.02 in ]

## Features

### Product Type Features

Terminates To	Wire & Cable
Wire/Cable Type	Regular Wire
Wire Stop	No
Insertion Force	Normal
Sealable	No

### Configuration Features

Connection Capacity	Single
---------------------	--------

### Contact Features

Quick Disconnect Terminal Type	Receptacle
Mating Tab Width	4.75 mm [.187 in]
Mating Tab Thickness	.51 mm [.02 in]
Terminal Orientation	Straight
Contact Base Material	Brass
Terminal Plating Material	Tin
Crimp Type	F-Crimp



Barrel Type	Open
-------------	------

### Mechanical Attachment

Mating Retention Type	Dimple
Extraction Force	19.6 – 50 Newton
Wire Insulation Support	With

### Dimensions

Accepts Wire Insulation Diameter Range	2.2 – 3.43 mm [.087 – .135 in]
Receptacle Terminal Stock Thickness	.33 mm [.013 in]
Overall Length	15.2 mm [.6 in]
Wire Size	.82 – 2.08 mm <sup>2</sup>

### Usage Conditions

Insulation Option	Uninsulated
Operating Temperature Range	-40 – 110 °C [-40 – 230 °F]

### Industry Standards

CSA Certified	Yes
UL Rating	Listed

### Packaging Features

Packaging Quantity	7000
Packaging Method	Strip/Reel

### Product Compliance

[For compliance documentation, visit the product page on TE.com>](#)

EU RoHS Directive 2011/65/EU	Compliant
EU ELV Directive 2000/53/EC	Compliant
China RoHS 2 Directive MIIT Order No 32, 2016	No Restricted Materials Above Threshold
EU REACH Regulation (EC) No. 1907/2006	Current ECHA Candidate List: JUNE 2022 (224) Candidate List Declared Against: JAN 2022 (223) SVHC > Threshold: Not Yet Reviewed
Halogen Content	Low Halogen - Br, Cl, F, I < 900 ppm per homogenous material. Also BFR/CFR/PVC Free

Solder Process Capability

Not applicable for solder process capability

Product Compliance Disclaimer

This information is provided based on reasonable inquiry of our suppliers and represents our current actual knowledge based on the information they provided. This information is subject to change. The part numbers that TE has identified as EU RoHS compliant have a maximum concentration of 0.1% by weight in homogenous materials for lead, hexavalent chromium, mercury, PBB, PBDE, DBP, BBP, DEHP, DIBP, and 0.01% for cadmium, or qualify for an exemption to these limits as defined in the Annexes of Directive 2011/65/EU (RoHS2). Finished electrical and electronic equipment products will be CE marked as required by Directive 2011/65/EU. Components may not be CE marked. Additionally, the part numbers that TE has identified as EU ELV compliant have a maximum concentration of 0.1% by weight in homogenous materials for lead, hexavalent chromium, and mercury, and 0.01% for cadmium, or qualify for an exemption to these limits as defined in the Annexes of Directive 2000/53/EC (ELV). Regarding the REACH Regulation, the information TE provides on SVHC in articles for this part number is based on the latest European Chemicals Agency (ECHA) 'Guidance on requirements for substances in articles' posted at this URL: <https://echa.europa.eu/guidance-documents/guidance-on-reach>

### Compatible Parts



TE Part # 61045-2  
FASTON .187 SERIES (4.8 MM) TPBR



TE Part # 170141-2  
187 FASTON, FLAG, REC., 20-16 AWG, TPBR



TE Part # 4150098-1  
OCEAN-2.0-APPLICATOR-E-090F140F




TE Part # 7-4150098-7  
OCEAN\_2.0\_SPARE\_PART\_KIT-090F140F




TE Part # 91584-1  
CCI MIC REC TAB 187 FASTON 20-14 ASSY


### Also in the Series | FASTON 187




Crimp Terminal Housings(41)



Insertion & Extraction Tools(1)



Joints & Splices(1)



PCB Terminals(48)



Quick Disconnects(214)

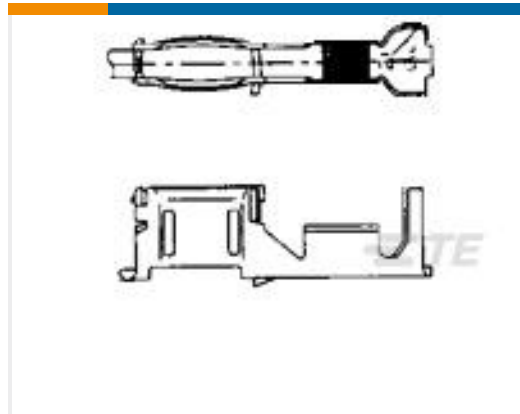


Splices(1)

## Customers Also Bought



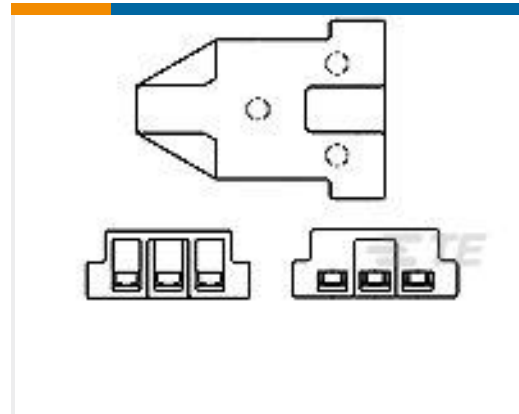
TE Part #41800  
250 FASTON FLAG REC 18-12 AWG  
TPBZ



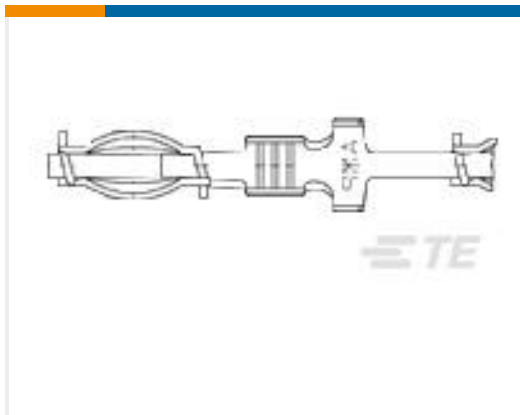
TE Part #316292-1  
3.2 CLUSTER REC L-TYPE



TE Part #170140-2  
187 FASTON, FLAG, REC., 16-20 AWG,  
TPBR



TE Part #171370-3  
CLUSTER BLOCK HSG PBT



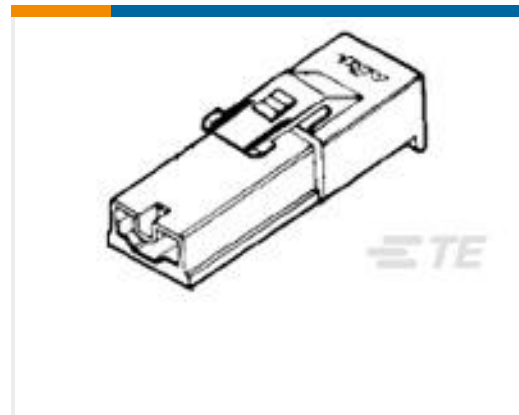
TE Part #170063-2  
CLUSTER PIN REC



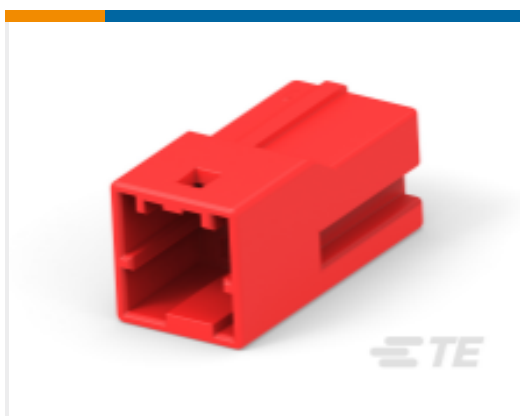
TE Part #41802  
250 FASTON FLAG REC 18-12 AWG  
TPBR



TE Part #316293-1  
3.2 CLUSTER BLOCK HSG NATURAL



TE Part #179183-1  
POSITIVE LOCK 187 (4.8 MM)  
HOUSING



TE Part #1-2232567-2  
GIC 2.5 W CAP HSG 2P RED



TE Part #60873-1  
250 FASTON FLAG REC 16-12 AWG  
TPBZ

## Documents

### Product Drawings

187 FASTON, REC., 18-14 AWG, TPBR

Japanese

### CAD Files

3D PDF

3D

Customer View Model

ENG\_CVM\_CVM\_170466-1\_D.2d\_dxf.zip



English

**Customer View Model**

[ENG\\_CVM\\_CVM\\_170466-1\\_D.3d\\_igs.zip](#)

English

**Customer View Model**

[ENG\\_CVM\\_CVM\\_170466-1\\_D.3d\\_stp.zip](#)

English

By downloading the CAD file I accept and agree to the [Terms and Conditions](#) of use.

---

## Product Specifications

**Application Specification**

English

[187 SERIES FASTON RECEPTACLE](#)

English

---

## Product Environmental Compliance

[MD\\_170466-1\\_060520181157\\_dmtec](#)

English

[MD\\_170466-1\\_060520181157\\_dmtec](#)

English