



FAKRA RF Connector System

TE Internal #: 1719261-1

Data Connectivity Housings, Housing for Female Terminals, Keying Code A, Wire-to-Wire / Board-to-Board, 1 Position, FAKRA RF Connector System

[View on TE.com >](#)

Connectors > Automotive Connectors > Data Connectivity Systems > Data Connectivity Housings



Connector & Housing Type: **Housing for Female Terminals**

Mating Pin Diameter: .5 mm [.02 in]

Keying Code: **A**

Connector System: **Board-to-Board, Wire-to-Wire**

Number of Positions: **1**

Features

Product Type Features

Board Standoff	Without
Hybrid Connector	No
Connector & Housing Type	Housing for Female Terminals
Connector System	Board-to-Board, Wire-to-Wire
Sealable	No
Connector & Contact Terminates To	Wire & Cable

Configuration Features

Fiber Optic Transceiver	Without
Snap-Lock	Without
Keying Code	A
Number of Positions	1

Electrical Characteristics

Impedance	50 Ω
-----------	------

Signal Characteristics

Operating Frequency Range	0 – 6000 MHz
---------------------------	--------------

Body Features

Environmental Protection	Other
Ferrule	Without



Cable Exit Type	Fixed
Body Material	PA GF
Cable Exit Angle	90° (Right Angle)

Contact Features

Center Contact	Without
Contact Type	Socket
Contact Mating Area Plating Material	None
RF Connector Center Contact Plating Material	None
Mating Pin Diameter	.5 mm[.02 in]

Mechanical Attachment

Mounting Feature	Without
Mating Retention	With

Housing Features

Housing Color	Other
---------------	-------

Dimensions

Product Width	9.8 mm[.386 in]
Product Length	16.95 mm[.667 in]
Product Height	12.75 mm[.501 in]

Usage Conditions

Cable Type	RTK 031
------------	---------

Operation/Application

Shielded	No
Circuit Application	Signal

Packaging Features

Packaging Method	Carton
------------------	--------

Other

Outer Contact Plating Material	None
Dielectric Material	None

Product Compliance

[For compliance documentation, visit the product page on TE.com>](#)

EU RoHS Directive 2011/65/EU	Compliant
EU ELV Directive 2000/53/EC	Compliant
China RoHS 2 Directive MIIT Order No 32, 2016	No Restricted Materials Above Threshold
EU REACH Regulation (EC) No. 1907/2006	Current ECHA Candidate List: JUNE 2022 (224) Candidate List Declared Against: JAN 2022 (223) SVHC > Threshold: Not Yet Reviewed
Halogen Content	BFR/CFR/PVC Free, but Br/Cl >900 ppm in other sources.
Solder Process Capability	Not applicable for solder process capability

Product Compliance Disclaimer

This information is provided based on reasonable inquiry of our suppliers and represents our current actual knowledge based on the information they provided. This information is subject to change. The part numbers that TE has identified as EU RoHS compliant have a maximum concentration of 0.1% by weight in homogenous materials for lead, hexavalent chromium, mercury, PBB, PBDE, DBP, BBP, DEHP, DIBP, and 0.01% for cadmium, or qualify for an exemption to these limits as defined in the Annexes of Directive 2011/65/EU (RoHS2). Finished electrical and electronic equipment products will be CE marked as required by Directive 2011/65/EU. Components may not be CE marked. Additionally, the part numbers that TE has identified as EU ELV compliant have a maximum concentration of 0.1% by weight in homogenous materials for lead, hexavalent chromium, and mercury, and 0.01% for cadmium, or qualify for an exemption to these limits as defined in the Annexes of Directive 2000/53/EC (ELV). Regarding the REACH Regulation, the information TE provides on SVHC in articles for this part number is based on the latest European Chemicals Agency (ECHA) 'Guidance on requirements for substances in articles' posted at this URL: <https://echa.europa.eu/guidance-documents/guidance-on-reach>

Compatible Parts



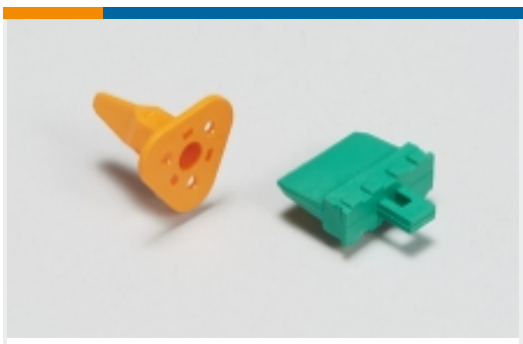
Also in the Series | FAKRA RF Connector System



Automotive Connector Caps & Covers (1)



Automotive Connector EMC Shielding (5)



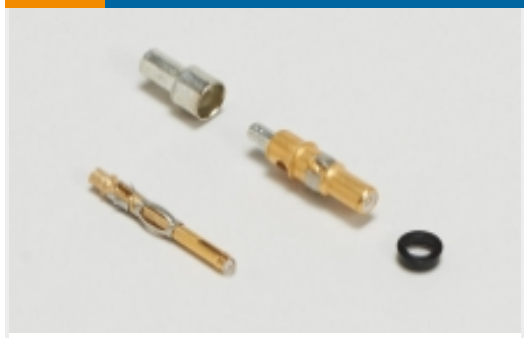
Automotive Connector Locks & Position Assurance(4)



Automotive Housings(2)



Automotive Terminals(12)



Coax Contacts(1)



Data Connectivity Headers(358)



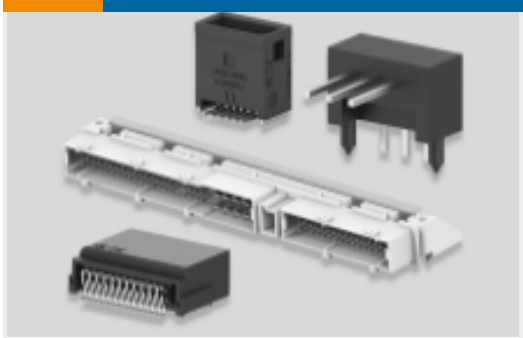
Data Connectivity Housings(415)



Infotainment & Multimedia Cable Assemblies(1)



Other Automotive Connector Accessories(34)



PCB Headers & Receptacles(1)



RF Connectors(1)

Customers Also Bought



TE Part #936124-1
MQS, CONNECTOR HOUSING



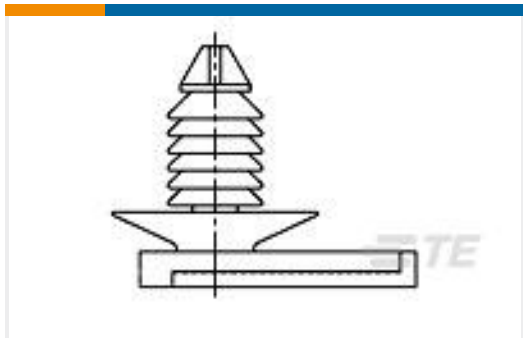
TE Part #2287452-1
56POS,MIXED,REC HSG,025,090,
CODE A,ASSY



TE Part #1-963736-1
TAB 5.8x0.8 CONTACT CS SRC Sn



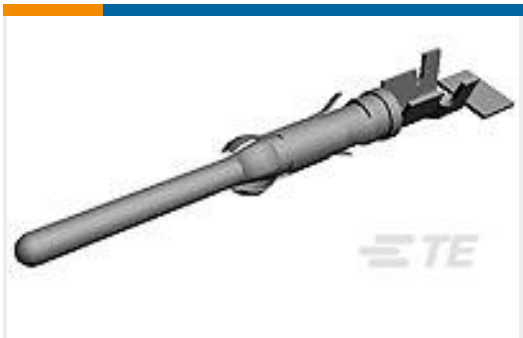
TE Part #1719261-2
1 POS FAKRA II PLUG HSG CODB F



TE Part #368373-1
CLIP FOR EJ MK-II (TREE TYPE)



TE Part #2272518-1
MALE KIT, 1P, FAKRA



TE Part #927884-2
CI 2 STIFT

Documents



Product Drawings

1 POS FAKRA II PLUG HSG CODA

English

CAD Files

Customer View Model

[ENG_CVM_CVM_1719261-1_C.2d_dxf.zip](#)

English

3D PDF

3D

Customer View Model

[ENG_CVM_CVM_1719261-1_C.3d_igs.zip](#)

English

Customer View Model

[ENG_CVM_CVM_1719261-1_C.3d_stp.zip](#)

English

By downloading the CAD file I accept and agree to the [Terms and Conditions](#) of use.

Product Specifications

Application Specification

English

Product Environmental Compliance

TE Material Declaration

English