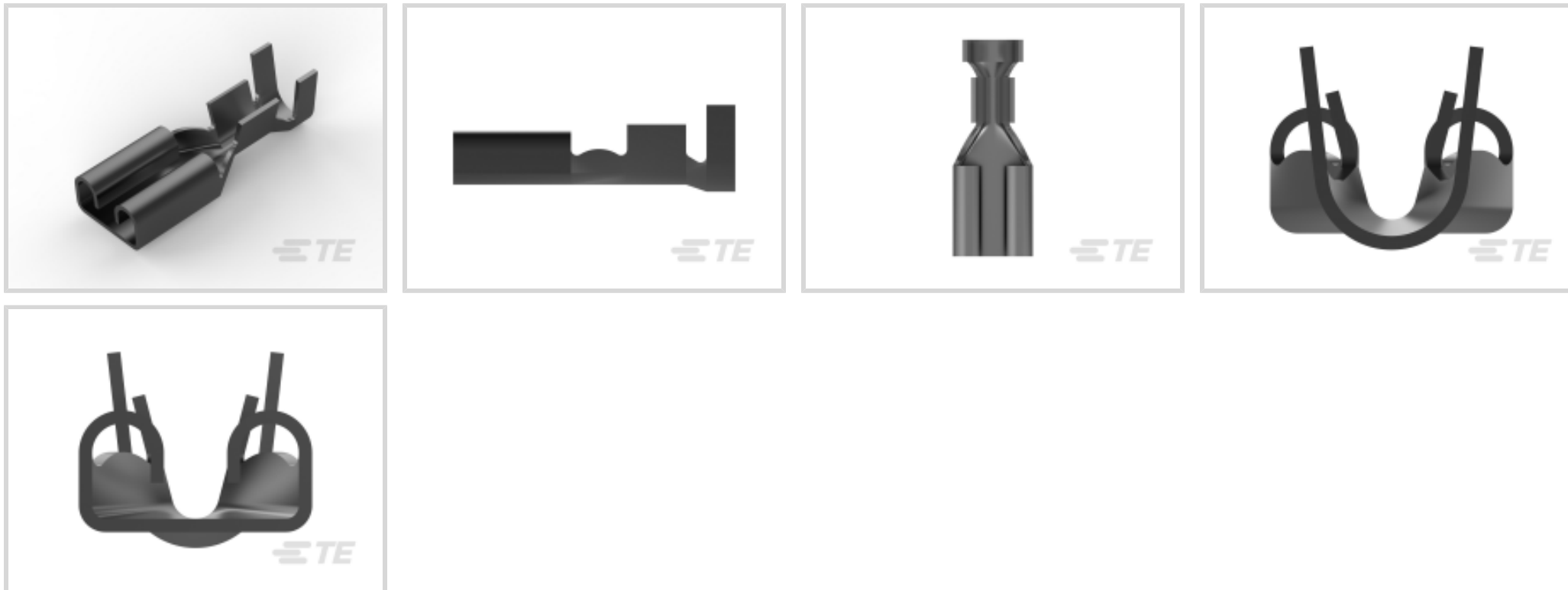




Terminals & Splices > Quick Disconnects



Quick Disconnect Terminal Type: **Receptacle**

Wire Size: .51 – 1.31 mm<sup>2</sup>

Mating Tab Width: 4.75 mm [.187 in ]

Mating Tab Thickness: .51 mm [.02 in ]

## Features

### Product Type Features

Terminates To	Wire & Cable
Wire Stop	No
Wire/Cable Type	Regular Wire
Insertion Force	Normal
Sealable	No

### Configuration Features

Connection Capacity	Single
---------------------	--------

### Contact Features

Quick Disconnect Terminal Type	Receptacle
Mating Tab Width	4.75 mm [.187 in]
Mating Tab Thickness	.51 mm [.02 in]
Terminal Orientation	Straight
Contact Base Material	Brass
Terminal Plating Material	Tin
Crimp Type	F-Crimp



Barrel Type	Open
-------------	------

### Mechanical Attachment

Mating Retention Type	Dimple
Wire Insulation Support	With

### Dimensions

Accepts Wire Insulation Diameter Range	2.29 – 3.3 mm [.09 – .13 in]
Overall Length	16.6 mm [.653 in]
Receptacle Terminal Stock Thickness	.3 mm [.012 in]
Wire Size	.51 – 1.31 mm <sup>2</sup>

### Usage Conditions

Insulation Option	Uninsulated
Operating Temperature Range	-40 – 110 °C [-40 – 230 °F]

### Industry Standards

UL Rating	Listed
CSA Certified	Yes

### Packaging Features

Packaging Quantity	9000
Packaging Method	Strip/Reel

### Product Compliance

[For compliance documentation, visit the product page on TE.com>](#)

EU RoHS Directive 2011/65/EU	Compliant
EU ELV Directive 2000/53/EC	Compliant
China RoHS 2 Directive MIIT Order No 32, 2016	No Restricted Materials Above Threshold
EU REACH Regulation (EC) No. 1907/2006	Current ECHA Candidate List: JUNE 2022 (224) Candidate List Declared Against: JUNE 2022 (224) Does not contain REACH SVHC
Halogen Content	Low Halogen - Br, Cl, F, I < 900 ppm per homogenous material. Also BFR/CFR/PVC Free
Solder Process Capability	Not applicable for solder process capability

This information is provided based on reasonable inquiry of our suppliers and represents our current actual knowledge based on the information they provided. This information is subject to change. The part numbers that TE has identified as EU RoHS compliant have a maximum concentration of 0.1% by weight in homogenous materials for lead, hexavalent chromium, mercury, PBB, PBDE, DBP, BBP, DEHP, DIBP, and 0.01% for cadmium, or qualify for an exemption to these limits as defined in the Annexes of Directive 2011/65/EU (RoHS2). Finished electrical and electronic equipment products will be CE marked as required by Directive 2011/65/EU. Components may not be CE marked. Additionally, the part numbers that TE has identified as EU ELV compliant have a maximum concentration of 0.1% by weight in homogenous materials for lead, hexavalent chromium, and mercury, and 0.01% for cadmium, or qualify for an exemption to these limits as defined in the Annexes of Directive 2000/53/EC (ELV). Regarding the REACH Regulation, the information TE provides on SVHC in articles for this part number is based on the latest European Chemicals Agency (ECHA) 'Guidance on requirements for substances in articles' posted at this URL: <https://echa.europa.eu/guidance-documents/guidance-on-reach>

## Compatible Parts



TE Part # 2150007-1  
OCEAN\_2.0\_Applicator-E-090F140F



REPRESENTATION ONLY

TE Part # 755336-1  
DAHT FASTON 22-14 ASSY



TE Part # 2-2150007-1  
OCEAN\_2.0\_Applicator-E-090F140F



TE Part # 2-2150007-2  
OCEAN\_2.0\_Applicator-E-090F140F



TE Part # 2150007-2  
OCEAN\_2.0\_Applicator-E-090F140F



TE Part # 2178549-2  
187 FASTON,REC.,18-14 AWG,TPBR



TE Part # 2232975-1  
187 FASTON,REC.,20-16 AWG,TPBR



TE Part # 7-2150007-1  
OCEAN\_2.0\_Applicator-E-090F140F



TE Part # 7-2150007-2  
OCEAN\_2.0\_Applicator-E-090F140F



**KIT**

REPRESENTATION ONLY

TE Part # 7-2150007-7  
OCEAN\_2.0\_SPARE\_PART\_KIT-090F140F



TE Part # 2825630-1  
STD MAG-MATE .187 POKE-IN TAB



TE Part # 2825631-1  
STD MAG-MATE .187 POKE-IN TAB



TE Part # 2825632-1  
STD MAG-MATE .187 POKE-IN TAB

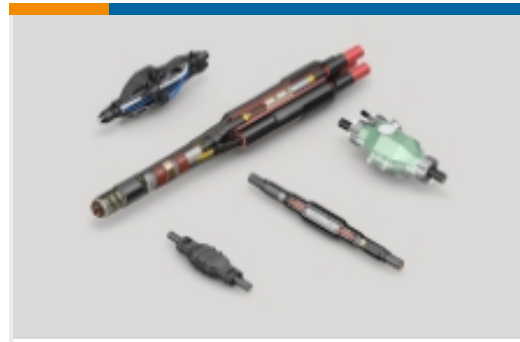
## Also in the Series | FASTON 187



Crimp Terminal Housings(41)



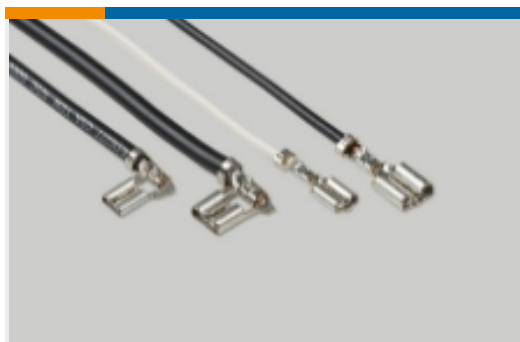
Insertion & Extraction Tools(1)



Joints & Splices(1)



PCB Terminals(48)

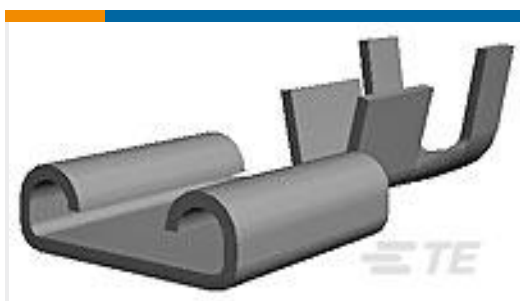


Quick Disconnects(214)

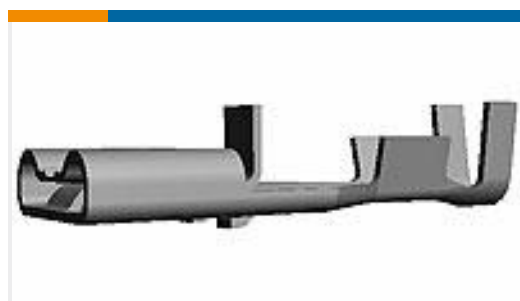


Splices(1)

## Customers Also Bought



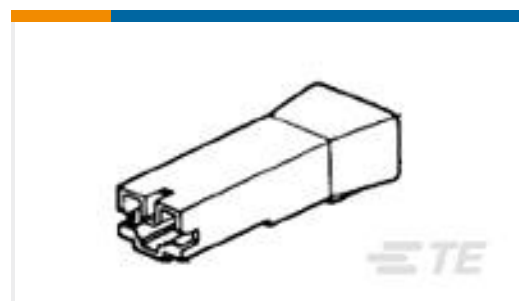
TE Part #170183-1  
250 FASTON,REC.,22-18 AWG,BR



TE Part #170329-1  
250 PL MKII REC. 15-10AWG TPBR



TE Part #41802  
250 FASTON FLAG REC 18-12 AWG TPBR



TE Part #177627-1  
PL .250 (6.3 MM) HOUSING RECEPTACLE



TE Part #1-2291193-3  
SMARTSEAL TERMINAL



TE Part #170046-2  
250 FASTON,REC.,16-14 AWG,TPBR



TE Part #1717289-2  
2.3DIA CLUSTER BLOCK REVERSE H

## Documents

### Product Drawings

[187 FASTON,REC.,20-16 AWG,TPBR](#)

English

### CAD Files

[Customer View Model](#)

[ENG\\_CVM\\_CVM\\_170037-2\\_AD.2d\\_dxf.zip](#)



English

[3D PDF](#)

3D

Customer View Model

[ENG\\_CVM\\_CVM\\_170037-2\\_AD.3d\\_igs.zip](#)

English

Customer View Model

[ENG\\_CVM\\_CVM\\_170037-2\\_AD.3d\\_stp.zip](#)

English

By downloading the CAD file I accept and agree to the [Terms and Conditions](#) of use.

---

### Product Specifications

[Application Specification](#)

English

---

### Product Environmental Compliance

[MD\\_170037-2\\_05312018106\\_dmtec](#)

English

[MD\\_170037-2\\_05312018106\\_dmtec](#)

English

---

### Instruction Sheets

[Instruction Sheet \(non U.S.\)](#)

Japanese