



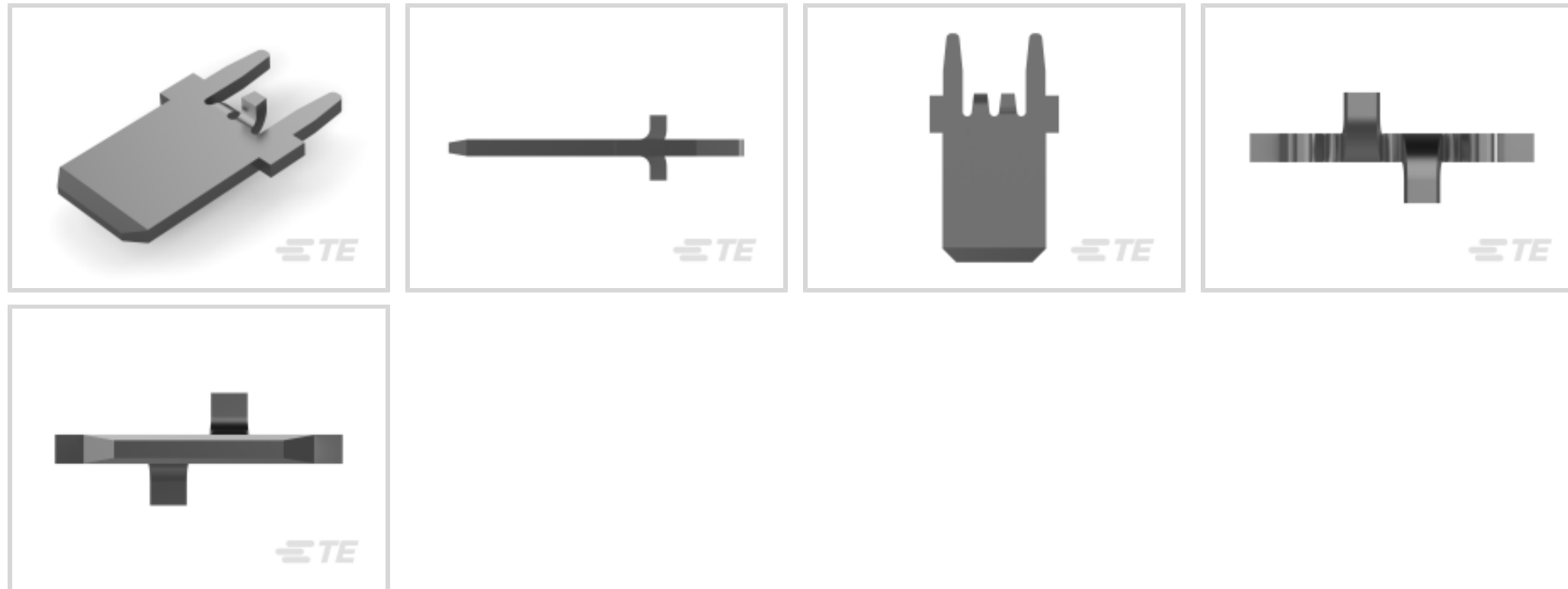
FASTON | FASTON 250

TE Internal #: 1742188-1

PCB Terminals, Tab, Mating Tab Width 6.35 mm [.25 in], PCB Hole Diameter 1.4 mm [.055 in], Through Hole - Solder, Tin Plating, Copper, Bag, FASTON 250

[View on TE.com >](#)

Terminals & Splices > PCB Terminals



PCB Terminal Type: **Tab**

PCB Thickness (Recommended): 1.57 mm [.062 in]

Mating Tab Width: 6.35 mm [.25 in]

Mating Tab Thickness: .8 mm [.031 in]

PCB Hole Diameter: 1.4 mm [.055 in]

Features

Configuration Features

Connection Capacity	Single
Stud Hole	No
Terminal Angle	180 °

Body Features

Plating Thickness	3.81 μm[100 μin]
-------------------	------------------

Contact Features

Contact Plating Material	Tin
PCB Terminal Type	Tab
Mating Tab Width	6.35 mm[.25 in]
Mating Tab Thickness	.8 mm[.031 in]
Terminal Plating Material	Tin
Contact Underplating Material	Copper
Terminal Size	6.35
Terminal Orientation	Straight



Termination Features

Termination Method to Printed Circuit Board	Through Hole - Solder
Product Terminates To	Printed Circuit Board

Mechanical Attachment

Wire Insulation Support	Without
-------------------------	---------

Dimensions

Extension Below Board	3.81 mm[.15 in]
Receptacle Terminal Stock Thickness	.8 mm[.031 in]
PCB Thickness (Recommended)	1.57 mm[.062 in]
PCB Hole Diameter	1.4 mm[.055 in]
Profile Height from PCB	10.21 mm[.402 in]

Usage Conditions

Insulation Option	Uninsulated
Operating Temperature Range	-30 – 110 °C[-22 – 230 °F]

Packaging Features

Packaging Quantity	500
Packaging Method	Bag

Product Compliance

[For compliance documentation, visit the product page on TE.com>](#)

EU RoHS Directive 2011/65/EU	Compliant
EU ELV Directive 2000/53/EC	Compliant
China RoHS 2 Directive MIIT Order No 32, 2016	No Restricted Materials Above Threshold
EU REACH Regulation (EC) No. 1907/2006	Current ECHA Candidate List: JUNE 2022 (224) Candidate List Declared Against: JAN 2022 (223) SVHC > Threshold: Not Yet Reviewed
Halogen Content	Low Halogen - Br, Cl, F, I < 900 ppm per homogenous material. Also BFR/CFR/PVC Free
Solder Process Capability	Wave solder capable to 265°C

Product Compliance Disclaimer

This information is provided based on reasonable inquiry of our suppliers and represents our current actual knowledge based on the information they provided. This information is subject to change. The part numbers that TE has identified as EU RoHS compliant have a maximum concentration of 0.1% by weight in homogenous materials for lead, hexavalent chromium, mercury, PBB, PBDE, DBP, BBP, DEHP, DIBP, and 0.01% for cadmium, or qualify for an exemption to these limits as defined in the Annexes of Directive 2011/65/EU (RoHS2). Finished electrical and electronic equipment products will be CE marked as required by Directive 2011/65/EU. Components may not be CE marked. Additionally, the part numbers that TE has identified as EU ELV compliant have a maximum concentration of 0.1% by weight in homogenous materials for lead, hexavalent chromium, and mercury, and 0.01% for cadmium, or qualify for an exemption to these limits as defined in the Annexes of Directive 2000/53/EC (ELV). Regarding the REACH Regulation, the information TE provides on SVHC in articles for this part number is based on the latest European Chemicals Agency (ECHA) 'Guidance on requirements for substances in articles' posted at this URL: <https://echa.europa.eu/guidance-documents/guidance-on-reach>

Compatible Parts



TE Part # 1217169-1
250 FASTON,PCB TAB,TCBR



TE Part # 1217167-1
250 FASTON,PCB TAB,TCBR



TE Part # 1217156-1
187 FASTON,PCB TAB,TNBR



TE Part # 1742803-1
FASTON 312 PCB TAB TPBR



TE Part # 62747-1
FASTON 187 TAB STAKE TPBR



TE Part # 63900-1
250 FASTON TAB TPBR



TE Part # 60284-2
205 FASTON TAB TPBR



TE Part # 1742686-1
250 FASTON,PCB TAB,TCBR



TE Part # 1217754-1
250 FASTON,FLAG,PCB TAB,TNBR



TE Part # 63849-1
250 FASTON TAB TPBR



TE Part # 1-725996-2
110 FASTON,FLAG,PCB TAB,TPBR



TE Part # 62262-1
250 FASTON TAB TPBR



TE Part # 62705-1
187 FASTON TAB TPBR



TE Part # 1-1217056-0
250 FASTON,PCB TAB,TPBR



TE Part # 1217421-1
250 FASTON,PCB TAB,TNBR

Also in the Series | FASTON 250



Compression Connectors(4)



Crimp Terminal Housings(143)



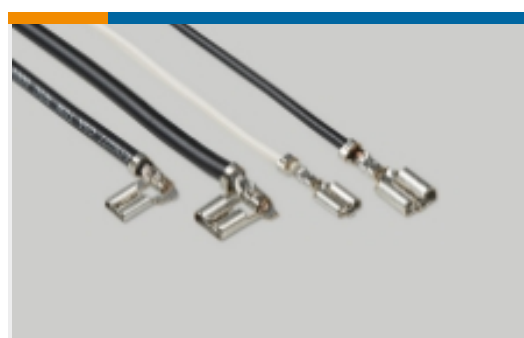
Insertion & Extraction Tools(6)



Magnet Wire Terminals(1)



PCB Terminals(144)



Quick Disconnects(456)



Splices(4)

Customers Also Bought



TE Part #1-929451-3
PRESS FIT PIN TERMINALS



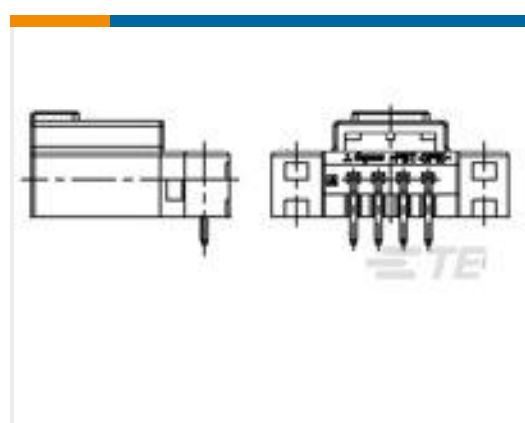
TE Part #726387-2
250 FASTON TAB TPBR



TE Part #1-2176370-3
RQ 0603 576R 0.1% 10PPM 5K RL



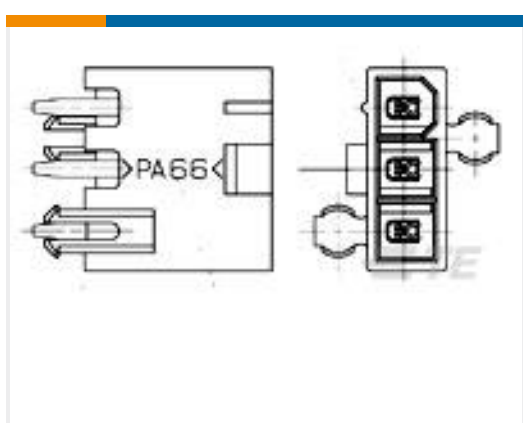
TE Part #89-01KA-0U
1K PSIA 316L MV PRESSURE SENSOR



TE Part #1743218-5
4pos MQS .63 header 90deg



TE Part #5747842-2
25 MSFL PLUG RA 318 (FM,BL)



TE Part #2029167-3
3P VAL-U-LOK SR HDR SN V0 WODH



TE Part #1982676-1
Receptacle Assembly

Documents

Product Drawings

[250 FASTON,PCB TAB,TCBR](#)

English

CAD Files

[3D PDF](#)

[3D](#)



Customer View Model

[ENG_CVM_CVM_1742188-1_C_c-1742188-1-c.2d_dxf.zip](#)

English

Customer View Model

[ENG_CVM_CVM_1742188-1_C_c-1742188-1-c.3d_igs.zip](#)

English

Customer View Model

[ENG_CVM_CVM_1742188-1_C_c-1742188-1-c.3d_stp.zip](#)

English

By downloading the CAD file I accept and agree to the [Terms and Conditions](#) of use.

Datasheets & Catalog Pages

[FASTON PCB Tabs and Receptacles](#)

English

[PRINTED CIRCUIT BOARD TERMINALS AND DISCONNECTS](#)

English

Product Specifications

[Application Specification](#)

English

[Application Specification](#)

English

Product Environmental Compliance

[TE Material Declaration](#)

English