

1745011-1 ✓ ACTIVE

AMP | AMP MCP Connector System

TE Internal #: 1745011-1

Other Automotive Connector Accessories, Mounting Clips, Wire-to-Board, PA, Black, AMP MCP Connector System

[View on TE.com >](#)



Connectors > Automotive Connectors > Connector Accessories > Other Connector Accessories



Automotive Connector Accessory Type: **Mounting Clips**

Connector System: **Wire-to-Board**

Primary Product Material: **PA**

Primary Product Color: **Black**

## Features

### Product Type Features

Automotive Connector Accessory Type	Mounting Clips
Connector System	Wire-to-Board

### Body Features

Primary Product Material	PA
Primary Product Color	Black

### Industry Standards

UL Flammability Rating	UL 94V-2
------------------------	----------

### Packaging Features

Packaging Quantity	3000
Packaging Method	Box

### Other

Serviceable	Yes
-------------	-----

## Product Compliance

[For compliance documentation, visit the product page on TE.com>](#)

EU RoHS Directive 2011/65/EU	Compliant
EU ELV Directive 2000/53/EC	Compliant
China RoHS 2 Directive MIIT Order No 32, 2016	No Restricted Materials Above Threshold
EU REACH Regulation (EC) No. 1907/2006	



Current ECHA Candidate List: JUNE 2022  
(224)

Candidate List Declared Against: JAN 2022  
(223)

SVHC > Threshold:  
Not Yet Reviewed

Halogen Content

Low Halogen - Br, Cl, F, I < 900 ppm per homogenous material. Also BFR/CFR/PVC Free

Solder Process Capability

Not applicable for solder process capability

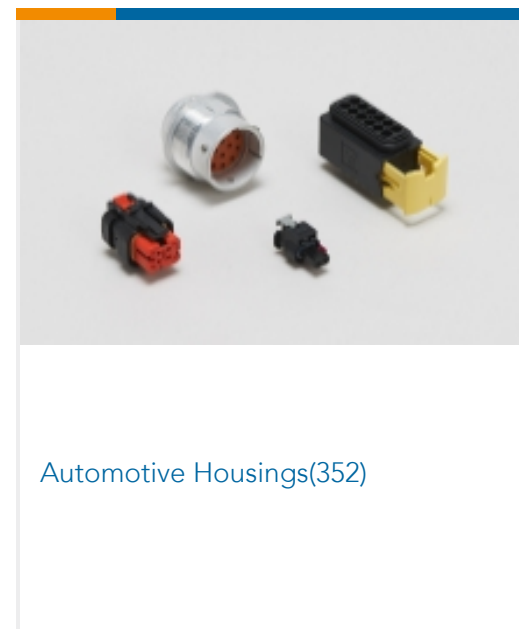
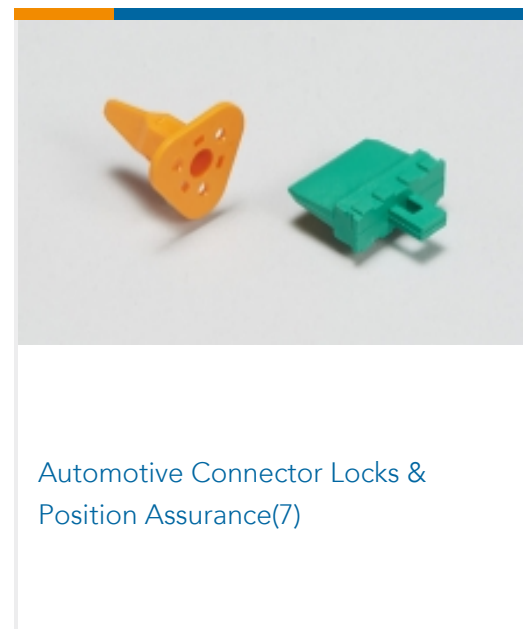
Product Compliance Disclaimer

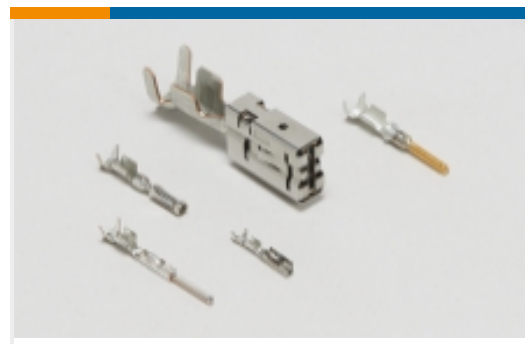
This information is provided based on reasonable inquiry of our suppliers and represents our current actual knowledge based on the information they provided. This information is subject to change. The part numbers that TE has identified as EU RoHS compliant have a maximum concentration of 0.1% by weight in homogenous materials for lead, hexavalent chromium, mercury, PBB, PBDE, DBP, BBP, DEHP, DIBP, and 0.01% for cadmium, or qualify for an exemption to these limits as defined in the Annexes of Directive 2011/65/EU (RoHS2). Finished electrical and electronic equipment products will be CE marked as required by Directive 2011/65/EU. Components may not be CE marked. Additionally, the part numbers that TE has identified as EU ELV compliant have a maximum concentration of 0.1% by weight in homogenous materials for lead, hexavalent chromium, and mercury, and 0.01% for cadmium, or qualify for an exemption to these limits as defined in the Annexes of Directive 2000/53/EC (ELV). Regarding the REACH Regulation, the information TE provides on SVHC in articles for this part number is based on the latest European Chemicals Agency (ECHA) 'Guidance on requirements for substances in articles' posted at this URL: <https://echa.europa.eu/guidance-documents/guidance-on-reach>

## Compatible Parts



## Also in the Series | AMP MCP Connector System





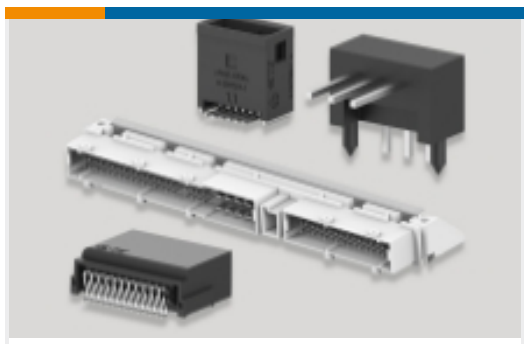
Automotive Terminals(125)



Insertion & Extraction Tools(13)

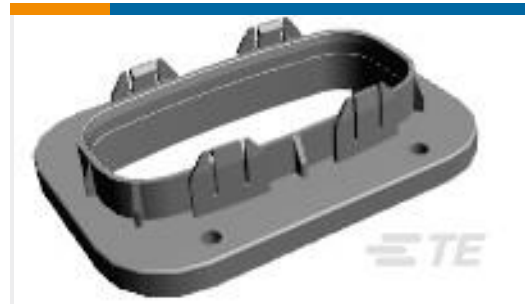


Other Automotive Connector Accessories(2)



PCB Headers & Receptacles(29)

## Customers Also Bought



TE Part #1718329-1  
ADAPTER FOR TAB HSG 39 POS,62P



TE Part #2112045-1  
SLIDE, FOR 26POS TAB HSG



TE Part #1564411-2  
SLIDE, TAB HSG GROUP E



TE Part #284366-1  
40 POS. MALE CONN. ASSY -NAT.



TE Part #284436-1  
COVER FOR 40 POS. FEMALE HSG



TE Part #284371-1  
COVER FOR PLATE



TE Part #284581-1  
SUPPORT PLATE ASSEMBLY



TE Part #HPP811B002  
HTM2500B6C6IV RH/T MODULE



TE Part #282037-1  
LOCKING CAP



TE Part #284352-1

## Documents

### Product Drawings

PANEL HOOK

English

### CAD Files

Customer View Model

ENG\_CVM\_1745011-1\_B.3d\_igs.zip

English

Customer View Model



[ENG\\_CVM\\_1745011-1\\_B.3d\\_stp.zip](#)

English

**Customer View Model**

[ENG\\_CVM\\_1745011-1\\_B.2d\\_dxf.zip](#)

English

**3D PDF**

English

By downloading the CAD file I accept and agree to the [Terms and Conditions](#) of use.

---

### Product Specifications

[Product Specification](#)

English

---

### Instruction Sheets

[Instruction Sheet \(non U.S.\)](#)

English