

170148-1 ✓ ACTIVE

MATE-N-LOK | Commercial MATE-N-LOK

TE Internal #: 170148-1

Power Contacts, Contact, 250 VAC, 250 VDC, Pre-Tin, 24 – 18 AWG

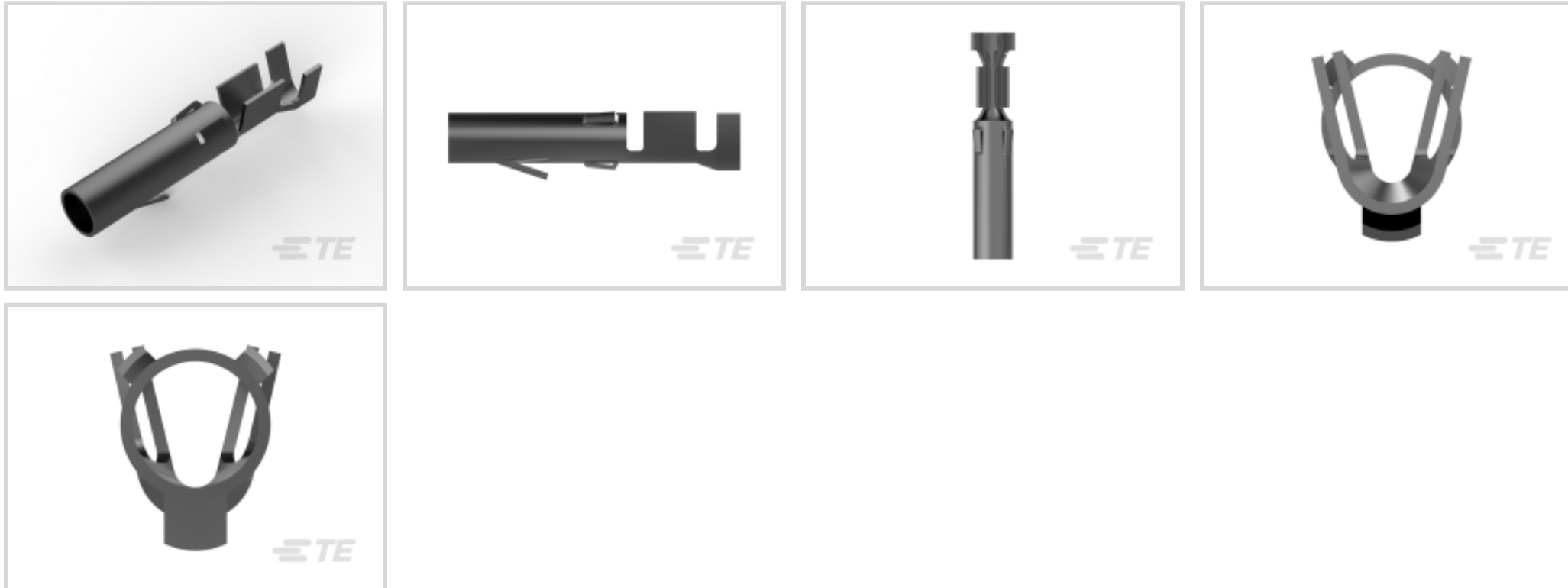
Wire Size, .2 – .82 mm² Wire Size, Wire-to-Wire, Wire & Cable,

Commercial MATE-N-LOK

[View on TE.com >](#)



Connectors > Power Connectors > Power Contacts



Power Contact Type: **Contact**

Operating Voltage: **250 VDC**

Contact Mating Area Plating Material: **Pre-Tin**

Wire Size: **24 – 18 AWG**

Features

Product Type Features

Power Contact Type	Contact
Connector System	Wire-to-Wire
Connector & Contact Terminates To	Wire & Cable

Electrical Characteristics

Operating Voltage	250 VDC
-------------------	---------

Contact Features

Contact Mating Area Plating Material	Pre-Tin
Contact Current Rating (Max)	13 A
Contact Type	Socket
Contact Retention Within Housing	With
Mating Pin Diameter	2.1 mm [.082 in]
Contact Base Material	Brass
Wire Contact Termination Area Plating Thickness	.4 μm [15.74 μin]
Wire Contact Termination Area Plating Material	Pre-Tin
Contact Orientation	Straight



Termination Features

Termination Method to Wire & Cable	Crimp
------------------------------------	-------

Mechanical Attachment

Contact Retention Type Within Housing	Locking Lance
Connector Mounting Type	Cable Mount (Free-Hanging)
Wire Insulation Support	Without

Dimensions

Wire Size	.2 – .82 mm ²
Accepts Wire Insulation Diameter Range	2.54 mm[.1 in]

Usage Conditions

Operating Temperature Range	-55 – 105 °C[-67 – 221 °F]
-----------------------------	----------------------------

Operation/Application

Circuit Application	Power
---------------------	-------

Industry Standards

Glow Wire Rating	Standard Part - Not Glow Wire
VDE Tested	No

Packaging Features

Packaging Method	Bag
Packaging Quantity	1000

Other

Wire/Cable Type	Discrete Wire
Wire Type	Stranded
For Use With	Commercial MATE-N-LOK housings

Product Compliance

[For compliance documentation, visit the product page on TE.com>](#)

EU RoHS Directive 2011/65/EU	Compliant
EU ELV Directive 2000/53/EC	Compliant
China RoHS 2 Directive MIIT Order No 32, 2016	No Restricted Materials Above Threshold
EU REACH Regulation (EC) No. 1907/2006	Current ECHA Candidate List: JUNE 2022 (224)



Candidate List Declared Against: JAN 2022
(223)
SVHC > Threshold:
Not Yet Reviewed

Halogen Content
Low Halogen - Br, Cl, F, I < 900 ppm per homogenous material. Also BFR/CFR/PVC Free

Solder Process Capability
Not applicable for solder process capability

Product Compliance Disclaimer

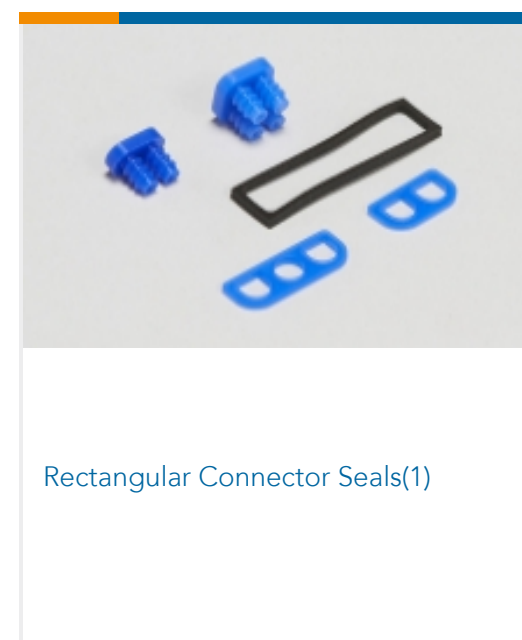
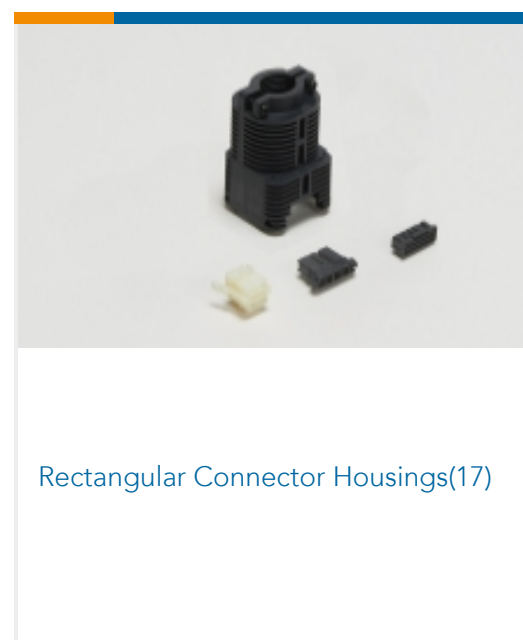
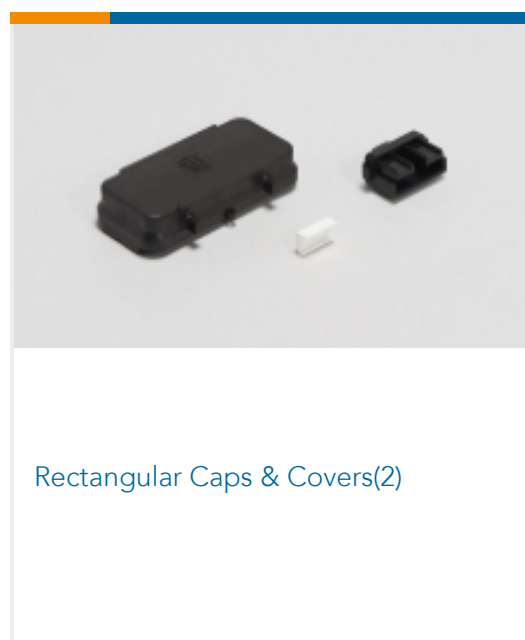
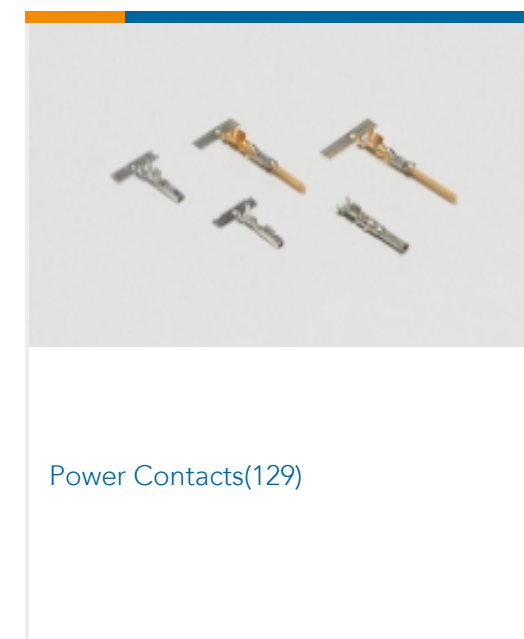
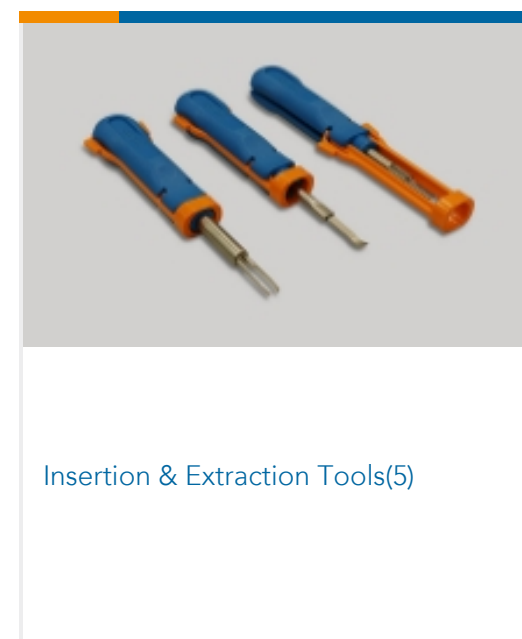
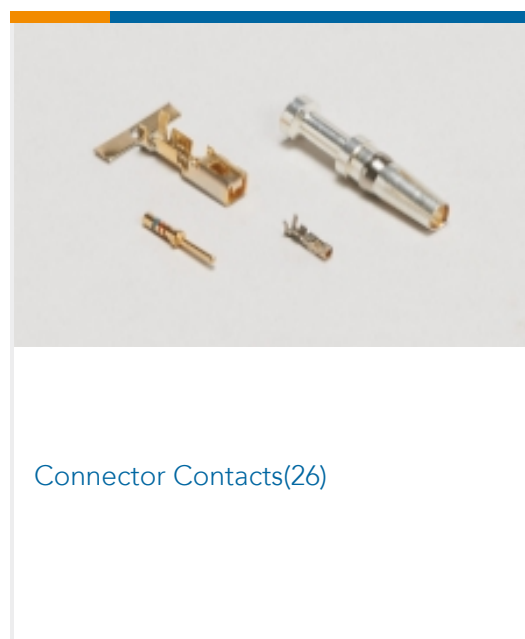
This information is provided based on reasonable inquiry of our suppliers and represents our current actual knowledge based on the information they provided. This information is subject to change. The part numbers that TE has identified as EU RoHS compliant have a maximum concentration of 0.1% by weight in homogenous materials for lead, hexavalent chromium, mercury, PBB, PBDE, DBP, BBP, DEHP, DIBP, and 0.01% for cadmium, or qualify for an exemption to these limits as defined in the Annexes of Directive 2011/65/EU (RoHS2). Finished electrical and electronic equipment products will be CE marked as required by Directive 2011/65/EU. Components may not be CE marked. Additionally, the part numbers that TE has identified as EU ELV compliant have a maximum concentration of 0.1% by weight in homogenous materials for lead, hexavalent chromium, and mercury, and 0.01% for cadmium, or qualify for an exemption to these limits as defined in the Annexes of Directive 2000/53/EC (ELV). Regarding the REACH Regulation, the information TE provides on SVHC in articles for this part number is based on the latest European Chemicals Agency (ECHA) 'Guidance on requirements for substances in articles' posted at this URL: <https://echa.europa.eu/guidance-documents/guidance-on-reach>

Compatible Parts

 <p>TE Part # 1-171196-0 6 POS MATE-N-LOK S</p>	 <p>TE Part # 1-480274-0 09P CMNL PLUG HSG P/M NATL</p>	 <p>TE Part # 1-480284-0 08P CMNL CAP HSG M/M NATL</p>	 <p>TE Part # 1-480438-0 16P CMNL PLUG HSG M/M NATL</p>
 <p>TE Part # 1-480683-0 02P CMNL PLUG HSG F/H NATL</p>	 <p>TE Part # 1-480277-0 09P CMNL CAP HSG P/M NATL</p>	 <p>TE Part # 1-480304-0 03P CMNL PLUG HSG P/M NATL</p>	 <p>TE Part # 1-480722-0 04P CMNL PLUG HSG W/LCK NATL</p>



Also in the Series | Commercial MATE-N-LOK





Standard Circular Connectors(4)

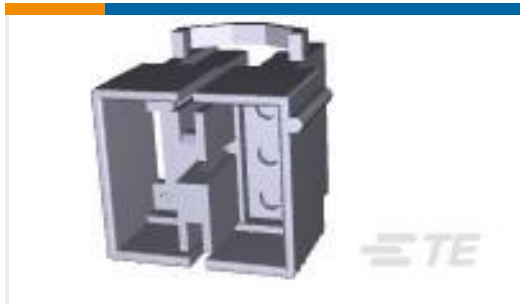


Standard Rectangular Connectors(10)



Wire-to-Board Connector Contacts(1)

Customers Also Bought



TE Part #1-480340-0
06P CMNL CAP HSG F/H NATL



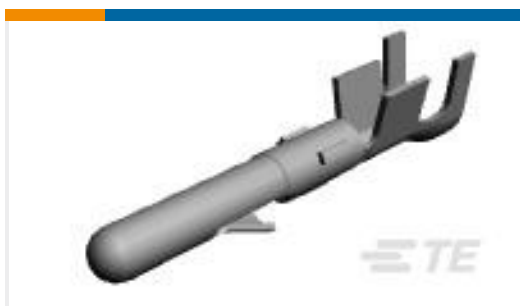
TE Part #170924-1
MNL 2 POS NATURAL PIN HSG



TE Part #171506-1
PIDG RING (22-18)



TE Part #321021
PIDG RING (26-22)



TE Part #60618-1
CMNL PIN PTPBR L/P



TE Part #170923-1
CMNL PLG 2P FREE HNG



TE Part #48817
HYP8/10 SOLIS 300-350MCM 69060
DIE SET



TE Part #48819
HYP8/10 SOLIS 500-600MCM 69060
DIE SET



TE Part #58445-1
HYP8 250-600MCM 33T HEAD



TE Part #171509-7
P.G RING(22-18) STUD 5MM EXP.127

Documents

Product Drawings

MATE-N-LOK SOC LP

English

CAD Files

Customer View Model

[ENG_CVM_170148-1_A3.3d_igs.zip](#)

English

Customer View Model



[ENG_CVM_170148-1_A3.3d_stp.zip](#)

English

Customer View Model

[ENG_CVM_170148-1_A3.2d_dxf.zip](#)

English

3D PDF

English

3D PDF

3D

Customer View Model

[ENG_CVM_CVM_170148-1_O.2d_dxf.zip](#)

English

Customer View Model

[ENG_CVM_CVM_170148-1_O.3d_igs.zip](#)

English

Customer View Model

[ENG_CVM_CVM_170148-1_O.3d_stp.zip](#)

English

By downloading the CAD file I accept and agree to the [Terms and Conditions](#) of use.

Product Environmental Compliance

Product Compliance

English

Product Compliance

English

Agency Approvals

Agency Approval Document

English