

170121-1 ✓ ACTIVE

MATE-N-LOK | Commercial MATE-N-LOK

TE Internal #: 170121-1

Power Contacts, Contact, 250 VAC, 250 VDC, Pre-Tin, 20 – 14 AWG

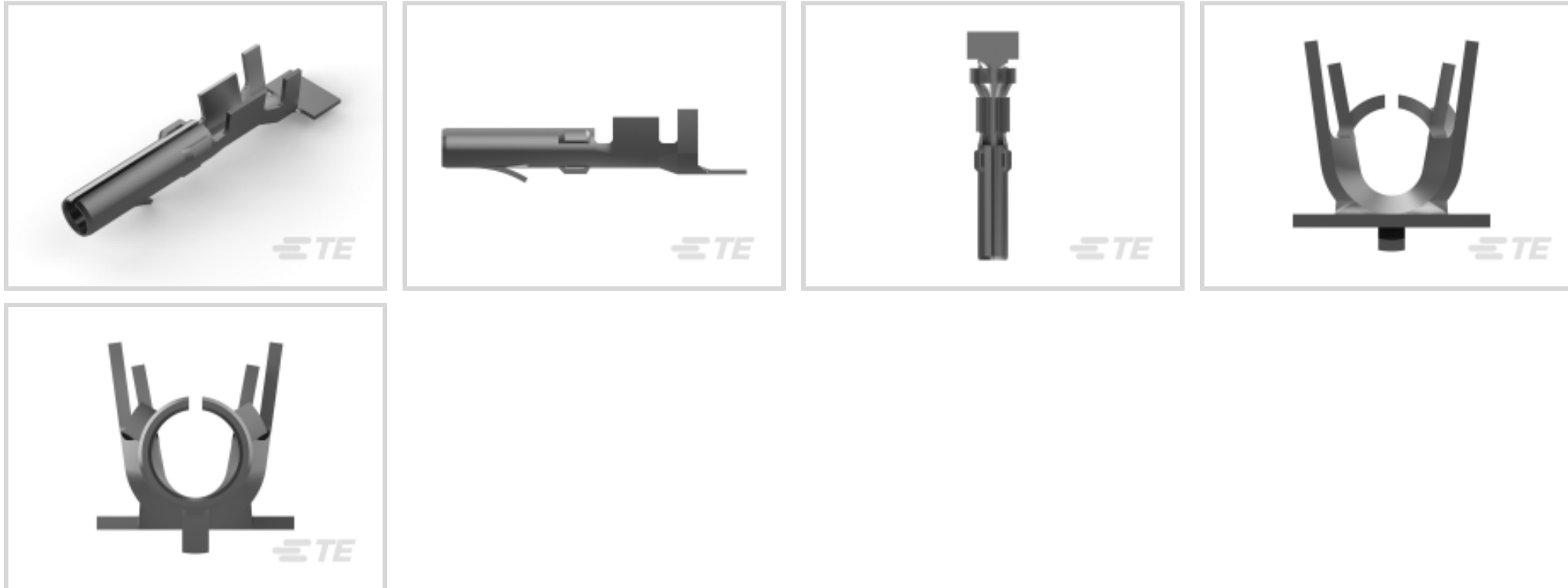
Wire Size, .52 – 2.27 mm² Wire Size, Wire-to-Wire, Wire & Cable,

Commercial MATE-N-LOK

[View on TE.com >](#)



Connectors > Power Connectors > Power Contacts



Power Contact Type: **Contact**

Operating Voltage: **250 VDC**

Contact Mating Area Plating Material: **Pre-Tin**

Wire Size: **20 – 14 AWG**

Features

Product Type Features

| | |
|-----------------------------------|--------------|
| Power Contact Type | Contact |
| Connector System | Wire-to-Wire |
| Connector & Contact Terminates To | Wire & Cable |

Electrical Characteristics

| | |
|-------------------|---------|
| Operating Voltage | 250 VDC |
|-------------------|---------|

Contact Features

| | |
|-------------------------------------------------------|------------------|
| Contact Mating Area Plating Material | Pre-Tin |
| Contact Current Rating (Max) | 10 A |
| Contact Type | Socket |
| Contact Retention Within Housing | With |
| Mating Pin Diameter | 2.1 mm[.082 in] |
| Contact Base Material | Brass |
| Wire Contact Termination Area Plating Thickness | .4 μm[15.74 μin] |
| Wire Contact Termination Area Plating Material | Pre-Tin |
| Wire Contact Termination Area Plating Material Finish | Bright |



| | |
|---------------------|----------|
| Contact Orientation | Straight |
|---------------------|----------|

Termination Features

| | |
|------------------------------------|-------|
| Termination Method to Wire & Cable | Crimp |
|------------------------------------|-------|

Mechanical Attachment

| | |
|---------------------------------------|---------------|
| Contact Retention Type Within Housing | Locking Lance |
|---------------------------------------|---------------|

| | |
|-------------------------|----------------------------|
| Connector Mounting Type | Cable Mount (Free-Hanging) |
|-------------------------|----------------------------|

| | |
|-------------------------|---------|
| Wire Insulation Support | Without |
|-------------------------|---------|

Dimensions

| | |
|-----------|----------------------------|
| Wire Size | .52 – 2.27 mm ² |
|-----------|----------------------------|

| | |
|----------------------------------------|----------------|
| Accepts Wire Insulation Diameter Range | 3.3 mm[.13 in] |
|----------------------------------------|----------------|

Usage Conditions

| | |
|-----------------------------|----------------------------|
| Operating Temperature Range | -55 – 105 °C[-67 – 221 °F] |
|-----------------------------|----------------------------|

Operation/Application

| | |
|---------------------|-------|
| Circuit Application | Power |
|---------------------|-------|

Industry Standards

| | |
|------------------|-------------------------------|
| Glow Wire Rating | Standard Part - Not Glow Wire |
|------------------|-------------------------------|

| | |
|------------|----|
| VDE Tested | No |
|------------|----|

Packaging Features

| | |
|------------------|-----|
| Packaging Method | Bag |
|------------------|-----|

| | |
|--------------------|------|
| Packaging Quantity | 1000 |
|--------------------|------|

Other

| | |
|-----------------|---------------|
| Wire/Cable Type | Discrete Wire |
|-----------------|---------------|

| | |
|-----------|----------|
| Wire Type | Stranded |
|-----------|----------|

| | |
|--------------|--------------------------------|
| For Use With | Commercial MATE-N-LOK housings |
|--------------|--------------------------------|

Product Compliance

[For compliance documentation, visit the product page on TE.com>](#)

| | |
|------------------------------|-----------|
| EU RoHS Directive 2011/65/EU | Compliant |
|------------------------------|-----------|

| | |
|-----------------------------|-----------|
| EU ELV Directive 2000/53/EC | Compliant |
|-----------------------------|-----------|

| | |
|-----------------------------------------------|-----------------------------------------|
| China RoHS 2 Directive MIIT Order No 32, 2016 | No Restricted Materials Above Threshold |
|-----------------------------------------------|-----------------------------------------|

| | |
|----------------------------------------|----------------------------------------------|
| EU REACH Regulation (EC) No. 1907/2006 | Current ECHA Candidate List: JUNE 2022 (224) |
|----------------------------------------|----------------------------------------------|



Candidate List Declared Against: JAN 2022
(223)
SVHC > Threshold:
Not Yet Reviewed

Halogen Content
Low Halogen - Br, Cl, F, I < 900 ppm per homogenous material. Also BFR/CFR/PVC Free

Solder Process Capability
Not applicable for solder process capability

Product Compliance Disclaimer

This information is provided based on reasonable inquiry of our suppliers and represents our current actual knowledge based on the information they provided. This information is subject to change. The part numbers that TE has identified as EU RoHS compliant have a maximum concentration of 0.1% by weight in homogenous materials for lead, hexavalent chromium, mercury, PBB, PBDE, DBP, BBP, DEHP, DIBP, and 0.01% for cadmium, or qualify for an exemption to these limits as defined in the Annexes of Directive 2011/65/EU (RoHS2). Finished electrical and electronic equipment products will be CE marked as required by Directive 2011/65/EU. Components may not be CE marked. Additionally, the part numbers that TE has identified as EU ELV compliant have a maximum concentration of 0.1% by weight in homogenous materials for lead, hexavalent chromium, and mercury, and 0.01% for cadmium, or qualify for an exemption to these limits as defined in the Annexes of Directive 2000/53/EC (ELV). Regarding the REACH Regulation, the information TE provides on SVHC in articles for this part number is based on the latest European Chemicals Agency (ECHA) 'Guidance on requirements for substances in articles' posted at this URL: <https://echa.europa.eu/guidance-documents/guidance-on-reach>

Compatible Parts



TE Part # 91504-1
CCII CMNL MNL PIN SKT 20-14 ASSY



TE Part # 1-171196-0
6 POS MATE-N-LOK S



TE Part # 1-480274-0
09P CMNL PLUG HSG P/M NATL



TE Part # 1-480284-0
08P CMNL CAP HSG M/M NATL



TE Part # 1-480438-0
16P CMNL PLUG HSG M/M NATL



TE Part # 1-480683-0
02P CMNL PLUG HSG F/H NATL



TE Part # 1-480277-0
09P CMNL CAP HSG P/M NATL



TE Part # 1-480304-0
03P CMNL PLUG HSG P/M NATL




TE Part # 1-480722-0
04P CMNL PLUG HSG W/LCK NATL



TE Part # 1-480276-0
06P CMNL CAP HSG P/M NATL



TE Part # 1-480285-0
10P CMNL PLUG HSG M/M NATL



TE Part # 1-480439-0
16P CMNL CAP HSG M/M NATL



TE Part # 1-480393-1
02P CMNL PLUG HSG F/H BLK



TE Part # 1-480345-0
08P CMNL CAP HSG F/H NATL



TE Part # 1-480340-0
06P CMNL CAP HSG F/H NATL



TE Part # 1-480278-0
12P CMNL CAP HSG P/M NATL



TE Part # 1-480425-0
04P CMNL PLUG HSG P/M NATL



TE Part # 1-480324-0
15P CMNL CAP HSG P/M NATL




TE Part # 1-480721-0
03P CMNL PLUG HSG W/LOK NATL



TE Part # 1-480323-0
15P CMNL PLUG HSG P/M NATL


Also in the Series | Commercial MATE-N-LOK




Connector Contacts(26)




Crimp Wire Pins, Tabs & Ferrules(3)




Insertion & Extraction Tools(5)



Power Contacts(129)




Rectangular Caps & Covers(2)



Rectangular Connector Housings(17)



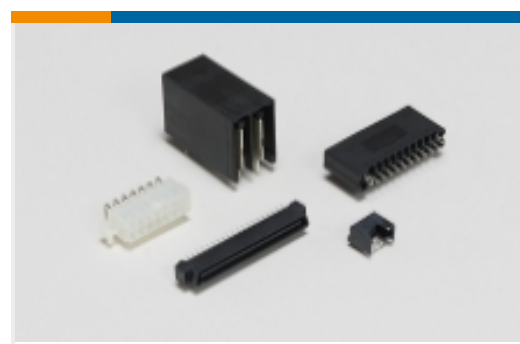
Rectangular Connector Seals(1)



Rectangular Power Connectors(170)



Standard Circular Connectors(4)

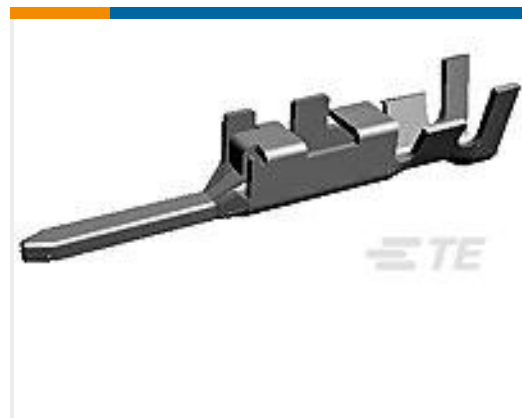
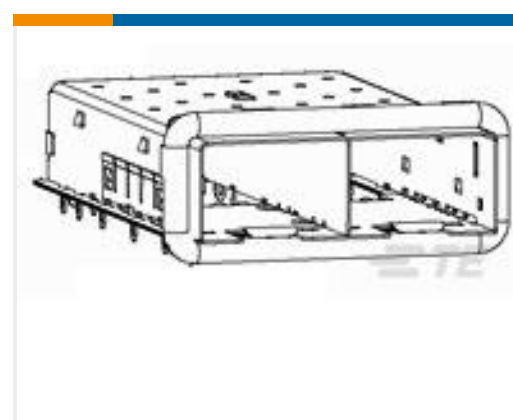


Standard Rectangular Connectors(10)



Wire-to-Board Connector Contacts(1)

Customers Also Bought

TE Part #2013594-1
D5000 TAB CONT S LONG L/P AUTE Part #60620-1
CMNL PIN 20-14 TPBR L/PTE Part #1-480270-0
06P CMNL PLUG HSG M/M NATLTE Part #1-480305-0
03P CMNL CAP HSG F/H NATLTE Part #60618-1
CMNL PIN PTPBR L/PTE Part #917242-6
DYNAMIC D-3500 WTW TAB HSG 12PTE Part #2198720-1
zSFP+ 1x2 Cage Assembly, Press-FitTE Part #2297033-1
ZSFP 1X1 CAGE ASSEMBLY PRESSFIT
HEATSINKTE Part #2260862-1
F07 APF CABLE ASSY 0.5M

Documents

Product Drawings

[MATE-N-LOK SKT L.P.](#)

English

CAD Files

[3D PDF](#)

3D

Customer View Model

[ENG_CVM_CVM_170121-1_F.2d_dxf.zip](#)



English

Customer View Model

[ENG_CVM_CVM_170121-1_F.3d_igs.zip](#)

English

Customer View Model

[ENG_CVM_CVM_170121-1_F.3d_stp.zip](#)

English

By downloading the CAD file I accept and agree to the [Terms and Conditions](#) of use.

Product Environmental Compliance

Product Compliance

English

Product Compliance

English

Agency Approvals

Agency Approval Document

English