

172138-2 ✓ ACTIVE

FASTIN-FASTON | FASTIN-FASTON 250

TE Internal #: 172138-2

Crimp Terminal Housings, Receptacle, Receptacle, 10 Position,
Straight, Black, Nylon, Contact Mating Retention, Mating
Alignment, FASTIN-FASTON 250

[View on TE.com >](#)



Terminals & Splices > Terminal Housings, Insulation Sleeves & Blocks > Crimp Terminal Housings



Terminal Type: **Receptacle**

Housing Type: **Receptacle**

Number of Positions: **10**

Terminal Orientation: **Straight**

Primary Product Color: **Black**

Features

Product Type Features

Terminates To	Wire & Cable
Product Type	Terminal Housing
Sealable	No
Housing Type	Receptacle
Insulated	No

Configuration Features

Number of Positions	10
---------------------	----

Body Features

Primary Product Color	Black
-----------------------	-------

Contact Features

Terminal Type	Receptacle
Terminal Orientation	Straight
Contact Mating Retention	With



Mechanical Attachment

Mating Retention Type	Locking Lance
Mating Alignment	With
Crimp Terminal Housing Mounting Style	Cable Mount (Free-Hanging)

Housing Features

Housing Material	Nylon
Centerline (Pitch)	9 mm[.354 in]

Dimensions

Length	25 mm[.98 in]
--------	---------------

Usage Conditions

Operating Temperature Range	-40 – 105 °C[-40 – 221 °F]
-----------------------------	----------------------------

Packaging Features

Packaging Quantity	100
--------------------	-----

Product Compliance

[For compliance documentation, visit the product page on TE.com>](#)

EU RoHS Directive 2011/65/EU	Compliant
EU ELV Directive 2000/53/EC	Not Yet Reviewed
China RoHS 2 Directive MIIT Order No 32, 2016	No Restricted Materials Above Threshold
EU REACH Regulation (EC) No. 1907/2006	Current ECHA Candidate List: JUNE 2022 (224) Candidate List Declared Against: JAN 2021 (211) SVHC > Threshold: Not Yet Reviewed
Halogen Content	Not Low Halogen - contains Br or Cl > 900 ppm.
Solder Process Capability	Not applicable for solder process capability

Product Compliance Disclaimer

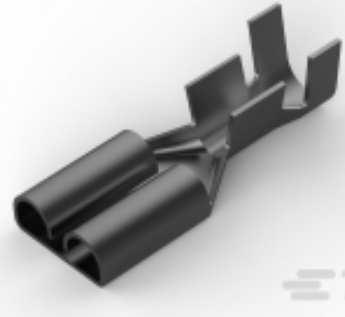
This information is provided based on reasonable inquiry of our suppliers and represents our current actual knowledge based on the information they provided. This information is subject to change. The part numbers that TE has identified as EU RoHS compliant have a maximum concentration of 0.1% by weight in homogenous materials for lead, hexavalent chromium, mercury, PBB, PBDE, DBP, BBP, DEHP, DIBP, and 0.01% for cadmium, or qualify for an exemption to these limits as defined in the Annexes of Directive 2011/65/EU (RoHS2). Finished electrical and electronic equipment products will be CE marked as required by Directive 2011/65/EU. Components may not be CE marked. Additionally, the part numbers that TE has identified as EU ELV compliant have a maximum concentration of 0.1% by weight in homogenous materials for lead, hexavalent chromium, and mercury, and 0.01% for cadmium, or qualify for an exemption to these limits as defined in the Annexes of Directive 2000/53/EC (ELV). Regarding the REACH Regulation, the information TE provides on SVHC in articles for this part number is based on the latest European Chemicals Agency (ECHA) 'Guidance on

requirements for substances in articles' posted at this URL: <https://echa.europa.eu/guidance-documents/guidance-on-reach>

Compatible Parts



TE Part # 346027-1
FASTIN FASTON HOUSING RECEPTACLE



TE Part # 170258-2
FF 250 REC 14-12AWG TPBR REREELING



TE Part # 170258-1
FF 250 REC 14-12AWG BR REREELING



TE Part # 171898-9
CONNECTOR .250 (6.3 MM) HOUSING



TE Part # 176987-2
FF 250 PLUG HSG 1P NYLON BLACK




TE Part # 178005-2
FF 250 PLUG HSG 4P NYLON BLACK




TE Part # 178023-2
FF 250 PLUG HSG 6P DBL LOCK BLCBK


Also in the Series | FASTIN-FASTON 250




Crimp Terminal Housings(218)



Insertion & Extraction Tools(2)



PCB Terminals(2)



Quick Disconnects(255)

Customers Also Bought



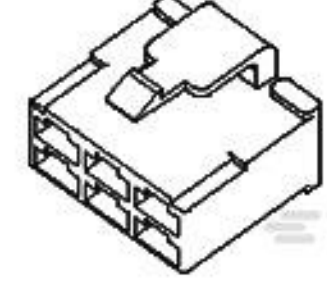
TE Part #EC7649-000
HLX203WE1TS033B



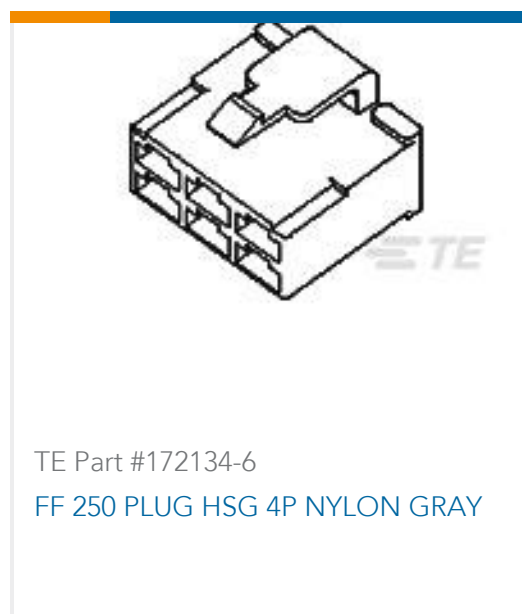
TE Part #1-325150-0
TERMINAL,PIDG SPD FLG 12-10 6



TE Part #1939556-5
AMPSEAL 16 HOUSINGS



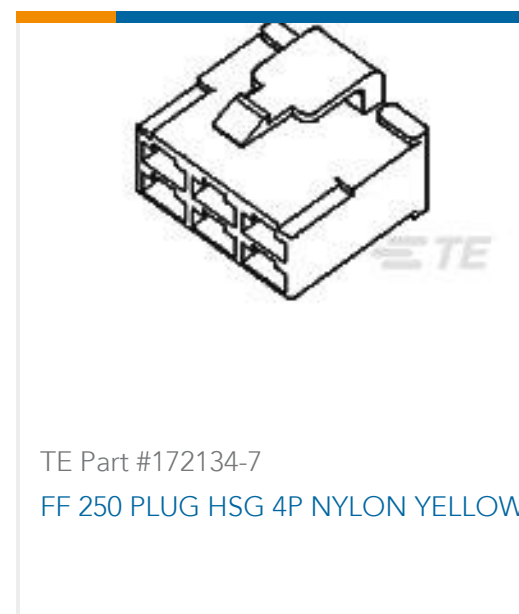
TE Part #171898-2
FF 250 PLUG HSG 6P NYLON BLACK



TE Part #172134-6
FF 250 PLUG HSG 4P NYLON GRAY



TE Part #455033-000
101A062-25/42-0



TE Part #172134-7
FF 250 PLUG HSG 4P NYLON YELLOW

Documents

Product Drawings

[FF 250 PLUG HSG 10P NYLON BLACK](#)

English

CAD Files

Customer View Model

[ENG_CVM_CVM_172138-2_F.2d_dxf.zip](#)

English

[3D PDF](#)

3D

Customer View Model

[ENG_CVM_CVM_172138-2_F.3d_igs.zip](#)

English

Customer View Model

[ENG_CVM_CVM_172138-2_F.3d_stp.zip](#)

English

By downloading the CAD file I accept and agree to the [Terms and Conditions](#) of use.

Datasheets & Catalog Pages

[White Paper: Nylon Discoloration](#)

English

Product Specifications

[Application Specification](#)

English

Instruction Sheets

[Customer Manual \(non U.S.\)](#)

Japanese

["250" Series, Housing Lance Connector](#)

Japanese

Agency Approvals

[UL Report](#)

English