

1734595-4 ✓ ACTIVE

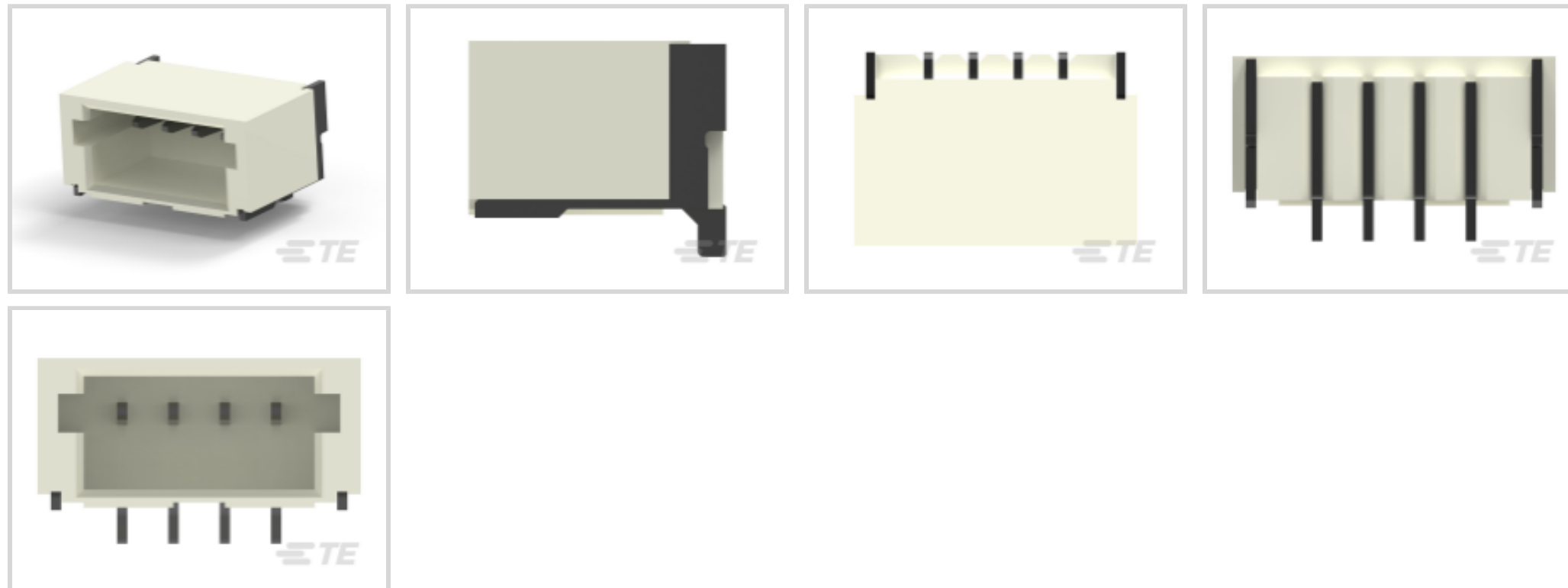
TE Internal #: 1734595-4

PCB Mount Header, Vertical, Wire-to-Board, 4 Position, .039 in [1 mm] Centerline, Fully Shrouded, Nickel, Surface Mount, Signal, Ivory

[View on TE.com >](#)



Connectors > PCB Connectors > PCB Headers & Receptacles > AMP HPI 1.0MM HEADERS



Connector System: **Wire-to-Board**

Number of Positions: **4**

Number of Rows: **1**

Centerline (Pitch): **1 mm [.039 in]**

PCB Mount Orientation: **Vertical**

[All AMP HPI 1.0MM HEADERS \(28\)](#)

Features

Product Type Features

Connector System	Wire-to-Board
Header Type	Fully Shrouded
Sealable	No
Connector & Contact Terminates To	Printed Circuit Board
PCB Connector Assembly Type	PCB Mount Header

Configuration Features

Connector Contact Load Condition	Fully Loaded
Number of Positions	4
Number of Rows	1
PCB Mount Orientation	Vertical

Electrical Characteristics

Operating Voltage	50 VAC
-------------------	--------

Body Features

--	--



Primary Product Color	Ivory
-----------------------	-------

Contact Features

Contact Layout	Inline
PCB Contact Termination Area Plating Material Thickness	3.05 μm [120 μin]
Mating Tab Width	.49 mm[.019 in]
Mating Tab Thickness	.2 mm[.008 in]
Contact Mating Area Plating Material Thickness	3.048 μm [120 μin]
PCB Contact Termination Area Plating Material Finish	Matte
Contact Mating Area Plating Material Finish	Matte
PCB Contact Termination Area Plating Material	Tin
Contact Base Material	Phosphor Bronze
Contact Mating Area Plating Material	Nickel
Contact Type	Pin
Contact Current Rating (Max)	3 A

Termination Features

Rectangular Termination Post & Tail Thickness	.2 mm[.008 in]
Terminations per Post (Max)	3
Rectangular Termination Post & Tail Width	.3 mm[.012 in]
Termination Post & Tail Length	.7 mm[.028 in]
Termination Method to Printed Circuit Board	Surface Mount

Mechanical Attachment

Mating Alignment Type	Polarization
Mating Retention	Without
PCB Mount Retention Type	Solder Peg
Connector Mounting Type	Board Mount
Mating Alignment	With
PCB Mount Alignment	Without
PCB Mount Retention	With

Housing Features

Housing Material	High Temperature Thermoplastic
Centerline (Pitch)	1 mm[.039 in]

Dimensions



Connector Length	6.3 mm[.248 in]
Connector Height	4.3 mm[.169 in]
Connector Width	5.1 mm[.2 in]

Usage Conditions

Operating Temperature Range	-55 – 105 °C[-67 – 221 °F]
-----------------------------	----------------------------

Operation/Application

Assembly Process Feature	Pick and Place Cover
Circuit Application	Signal

Industry Standards

UL Flammability Rating	UL 94V-0
------------------------	----------

Packaging Features

Packaging Quantity	1000
Packaging Type	Tape

Product Compliance

[For compliance documentation, visit the product page on TE.com>](#)

EU RoHS Directive 2011/65/EU	Compliant
EU ELV Directive 2000/53/EC	Compliant
China RoHS 2 Directive MIIT Order No 32, 2016	No Restricted Materials Above Threshold
EU REACH Regulation (EC) No. 1907/2006	Current ECHA Candidate List: JUNE 2022 (224) Candidate List Declared Against: JAN 2021 (211) SVHC > Threshold: Not Yet Reviewed
Halogen Content	Not Low Halogen - contains Br or Cl > 900 ppm.
Solder Process Capability	Reflow solder capable to 260°C

Product Compliance Disclaimer

This information is provided based on reasonable inquiry of our suppliers and represents our current actual knowledge based on the information they provided. This information is subject to change. The part numbers that TE has identified as EU RoHS compliant have a maximum concentration of 0.1% by weight in homogenous materials for lead, hexavalent chromium, mercury, PBB, PBDE, DBP, BBP, DEHP, DIBP, and 0.01% for cadmium, or qualify for an exemption to these limits as defined in the Annexes of Directive 2011/65/EU (RoHS2). Finished electrical and electronic equipment products will be CE marked as required by Directive 2011/65/EU. Components may not be CE marked. Additionally, the part numbers that TE has identified as EU ELV compliant have a maximum concentration of 0.1% by weight in homogenous materials for lead, hexavalent chromium, and mercury, and 0.01% for cadmium, or qualify for an exemption to these limits as defined in the Annexes of Directive 2000/53/EC (ELV). Regarding the REACH Regulation, the information TE provides on SVHC in articles for this part number is based on the latest European Chemicals Agency (ECHA) 'Guidance on

requirements for substances in articles' posted at this URL: <https://echa.europa.eu/guidance-documents/guidance-on-reach>

Compatible Parts



TE Part # 1734597-1
1.0 WTB Terminal, Receptacle



TE Part # 1470364-4
1.0MM W T B RECPT,4POS HOUSING

Customers Also Bought



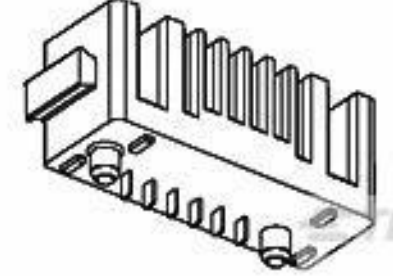
TE Part #1470364-2
1.0MM W T B RECPT,2POS HOUSING



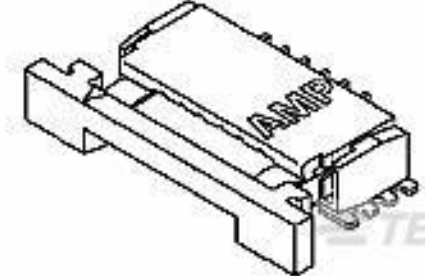
TE Part #1734595-5
AMP HPI 1.0MM HEADERS



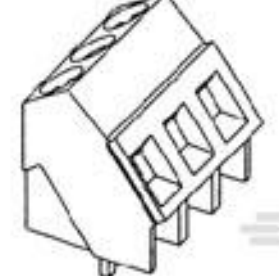
TE Part #1879363-9
THS75 47R 5%



TE Part #5787253-1
MDI REC ASS'Y ,6P



TE Part #1-84952-2
1MM FPC HORZ.BTTM CONT.ASS.12P



TE Part #796690-2
TERMI-BLOK PCB MOUNT 2P



TE Part #2-2176337-2
CRGCQ 0402 560R 1%



TE Part #2313444-1
MULTIBEAM 270V, VERTICAL FIN, VITA 62



TE Part #2313445-1
MULTIBEAM 270V, RIGHT ANGLE FIN, VITA 62

Documents

Product Drawings
1.0 WTB SR VT HDR 4 POS
English



CAD Files

Customer View Model

[ENG_CVM_1734595-4_A1.3d_igs.zip](#)

English

Customer View Model

[ENG_CVM_1734595-4_A1.3d_stp.zip](#)

English

Customer View Model

[ENG_CVM_1734595-4_A1.2d_dxf.zip](#)

English

3D PDF

English

By downloading the CAD file I accept and agree to the [Terms and Conditions](#) of use.

Datasheets & Catalog Pages

HPI Connectors QRG

English

Product Specifications

Application Specification

English

Product Environmental Compliance

Product Compliance

English

Product Compliance

English