

1747375-1 ✓ ACTIVE

AMP | TH/.025 Connector System

TE Internal #: 1747375-1

Housing for Female Terminals, Wire-to-Board / Wire-to-Device, 12

Position, .087 in [2.2 mm] Centerline, Natural, Signal, TH/.025

Connector System

[View on TE.com >](#)



Connectors > Automotive Connectors > Connector Housings > TH/.025 CONNECTOR SYSTEM, HOUSING



Connector & Housing Type: **Housing for Female Terminals**

Mating Tab Width: **.64 mm [ .025 in ]**

Connector System: **Wire-to-Board, Wire-to-Device**

Number of Positions: **12**

Centerline (Pitch): **2.2 mm [ .087 in ]**

[All TH/.025 CONNECTOR SYSTEM, HOUSING \(202\)](#)

## Features

### Product Type Features

|                           |                               |
|---------------------------|-------------------------------|
| Connector & Housing Shape | Rectangular                   |
| Connector & Housing Type  | Housing for Female Terminals  |
| Connector System          | Wire-to-Board, Wire-to-Device |
| Sealable                  | No                            |
| Hybrid Connector          | No                            |
| Primary Locking Feature   | Integrated in Housing         |

### Configuration Features

|                     |    |
|---------------------|----|
| Number of Positions | 12 |
| Number of Rows      | 2  |

### Electrical Characteristics

|                              |        |
|------------------------------|--------|
| Operating Voltage            | 12 VDC |
| Nominal Voltage Architecture | 12 V   |

### Body Features

|                       |         |
|-----------------------|---------|
| Cable Exit Angle      | 180°    |
| Body Material         | PBT     |
| Primary Product Color | Natural |



### Contact Features

|                  |                 |
|------------------|-----------------|
| Contact Size     | .64mm           |
| Contact Type     | Receptacle      |
| Mating Tab Width | .64 mm[.025 in] |

### Mechanical Attachment

|                             |                            |
|-----------------------------|----------------------------|
| Mounting Feature            | Without                    |
| Terminal Position Assurance | Yes                        |
| Strain Relief               | Without                    |
| Mating Alignment Type       | Polarized                  |
| Mating Alignment            | With                       |
| Connector Mounting Type     | Cable Mount (Free-Hanging) |

### Housing Features

|                    |                 |
|--------------------|-----------------|
| Centerline (Pitch) | 2.2 mm[.087 in] |
|--------------------|-----------------|

### Dimensions

|                    |                  |
|--------------------|------------------|
| Product Width      | 15.4 mm[.606 in] |
| Product Length     | 21 mm[.827 in]   |
| Product Height     | 15.8 mm[.622 in] |
| Row-to-Row Spacing | 3 mm[.118 in]    |

### Usage Conditions

|                             |   |
|-----------------------------|---|
| Operating Temperature (Max) | 70 °C, 75 °C, 80 °C, 85 °C, 90 °C, 100 °C, 105 °C[158 °F][167 °F][176 °F][185 °F][194 °F][212 °F][221 °F] |
| Operating Temperature Range | -30 – 105 °C[-22 – 221 °F]  |

### Operation/Application

|                     |        |
|---------------------|--------|
| Circuit Application | Signal |
|---------------------|--------|

### Industry Standards

|                        |         |
|------------------------|---------|
| UL Flammability Rating | UL 94HB |
|------------------------|---------|

### Packaging Features

|                    |     |
|--------------------|-----|
| Packaging Quantity | 100 |
| Packaging Method   | Bag |

### Other

|             |     |
|-------------|-----|
| Serviceable | Yes |
|-------------|-----|



Connector Position Assurance Capable

No

### Product Compliance

[For compliance documentation, visit the product page on TE.com>](#)

|   |  |
|---|--|
| EU RoHS Directive 2011/65/EU                  | Compliant  |
| EU ELV Directive 2000/53/EC                   | Compliant  |
| China RoHS 2 Directive MIIT Order No 32, 2016 | No Restricted Materials Above Threshold  |
| EU REACH Regulation (EC) No. 1907/2006        | Current ECHA Candidate List: JUNE 2022 (224)<br>Candidate List Declared Against: JAN 2021 (211)<br>SVHC > Threshold:<br>Not Yet Reviewed |
| Halogen Content                               | BFR/CFR/PVC Free, but Br/Cl >900 ppm in other sources.   |
| Solder Process Capability                     | Not applicable for solder process capability   |

#### Product Compliance Disclaimer

This information is provided based on reasonable inquiry of our suppliers and represents our current actual knowledge based on the information they provided. This information is subject to change. The part numbers that TE has identified as EU RoHS compliant have a maximum concentration of 0.1% by weight in homogenous materials for lead, hexavalent chromium, mercury, PBB, PBDE, DBP, BBP, DEHP, DIBP, and 0.01% for cadmium, or qualify for an exemption to these limits as defined in the Annexes of Directive 2011/65/EU (RoHS2). Finished electrical and electronic equipment products will be CE marked as required by Directive 2011/65/EU. Components may not be CE marked. Additionally, the part numbers that TE has identified as EU ELV compliant have a maximum concentration of 0.1% by weight in homogenous materials for lead, hexavalent chromium, and mercury, and 0.01% for cadmium, or qualify for an exemption to these limits as defined in the Annexes of Directive 2000/53/EC (ELV). Regarding the REACH Regulation, the information TE provides on SVHC in articles for this part number is based on the latest European Chemicals Agency (ECHA) 'Guidance on requirements for substances in articles' posted at this URL: <https://echa.europa.eu/guidance-documents/guidance-on-reach>

### Compatible Parts



Also in the Series | [TH/.025 Connector System](#)



Automotive Connector Caps & Covers (6)



Automotive Housings(203)



Automotive Seals & Cavity Plugs(2)



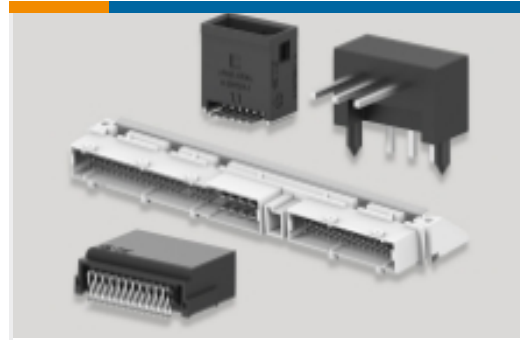
Automotive Terminals(25)



Insertion & Extraction Tools(4)



Other Automotive Connector Accessories(5)



PCB Headers & Receptacles(144)

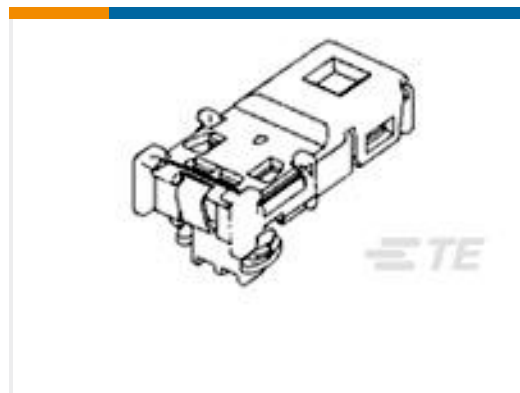
## Customers Also Bought



TE Part #1318305-1  
TH/.025 CONNECTOR SYSTEM,  
HOUSING



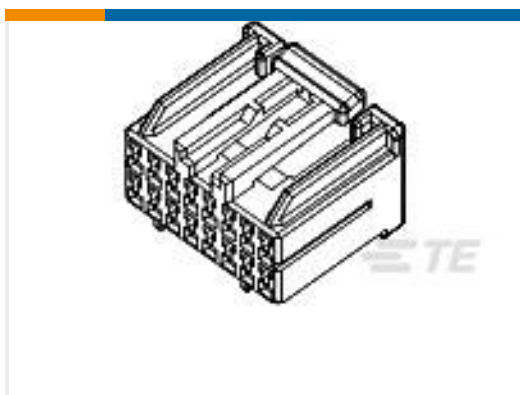
TE Part #178690-1  
MULTILOCK, CONNECTOR HOUSING



TE Part #1376030-1  
SQUIB CONN HSG IIDIA



TE Part #2260930-2  
EJ-2 DBL LOCK PLUG ASSY 2P



TE Part #917997-1  
HYBRID MK-2 PLUG HSG ASSY 26P

## Documents

### Product Drawings

0.64III 12POS PLUG ASSY

Japanese

### CAD Files

Customer View Model

ENG\_CVM\_CVM\_1747375-1\_D.2d\_dxf.zip

English

3D PDF



3D

Customer View Model

[ENG\\_CVM\\_CVM\\_1747375-1\\_D.3d\\_igs.zip](#)

English

Customer View Model

[ENG\\_CVM\\_CVM\\_1747375-1\\_D.3d\\_stp.zip](#)

English

By downloading the CAD file I accept and agree to the [Terms and Conditions](#) of use.

---

### Datasheets & Catalog Pages

[TH/.025 Connector Series](#)

English

---

### Product Specifications

[CRIMPING OF 0.64III RECEPTACLE CONTACT](#)

Japanese

[Application Specification](#)

Japanese

---

### Instruction Sheets

[Instruction Sheet \(non U.S.\)](#)

English

[Instruction Sheet \(non U.S.\)](#)

Japanese

[Instruction Sheet \(non U.S.\)](#)

Japanese

[Instruction Sheet \(non U.S.\)](#)

Japanese