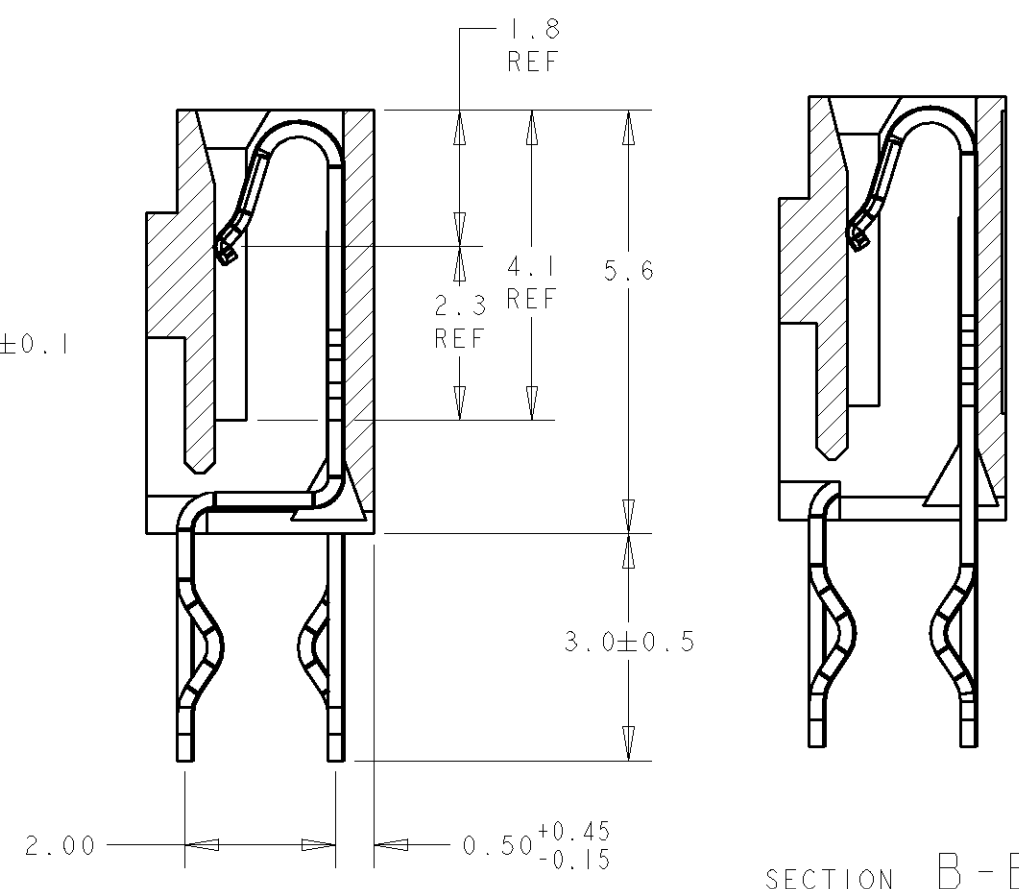
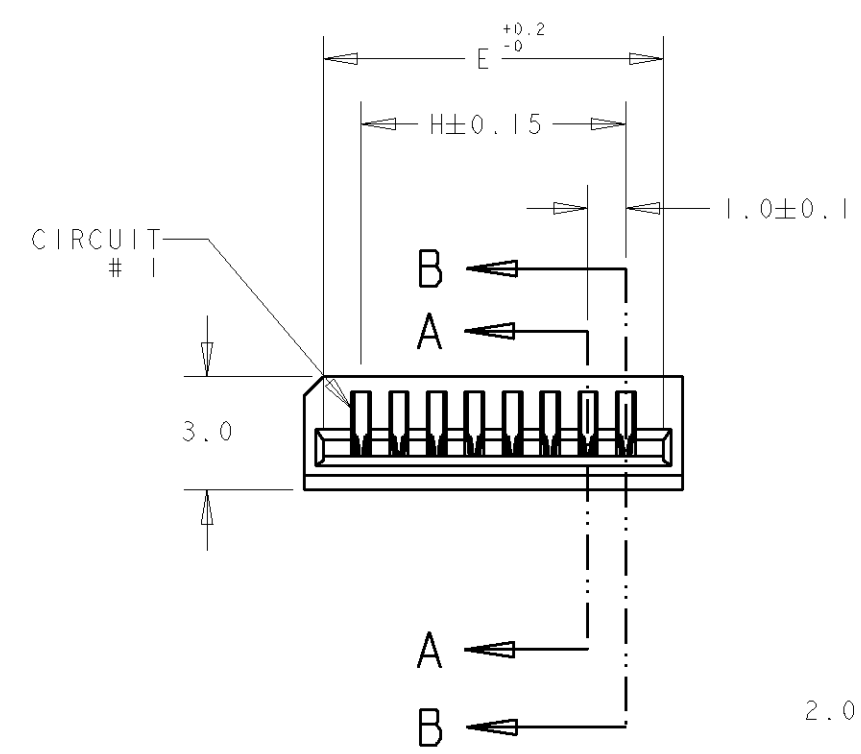
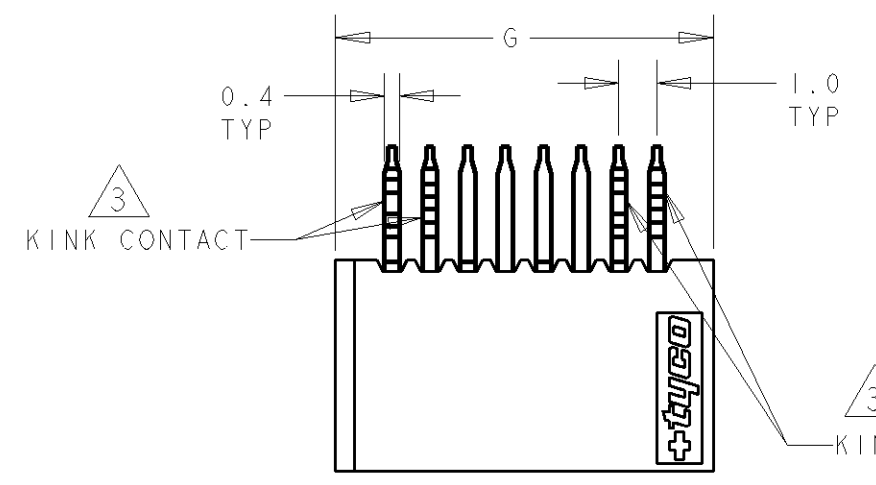


THIS DRAWING IS UNPUBLISHED. RELEASED FOR PUBLICATION .19
 © COPYRIGHT 19 BY AMP INCORPORATED. ALL RIGHTS RESERVED.

LOC	DIST	REVISIONS			
P	LTR	DESCRIPTION	DATE	DWN	APVD
		A	REVISED ECR-06-012206	22MAY06	LWY GKT

NOTES:

- 1 MATERIAL:
HOUSING: GLASS FILLED PBT, NATURAL COLOR (WHITE)
CONTACT: PHOSPHOR BRONZE
- 2 FINISH: GOLD FLASH OVER NICKEL UNDERPLATE
- 3 KINK CONTACTS LOCATION:
8P & BELOW: ALL POSITIONS
9P & ABOVE: 4 CONTACTS (2 PAIRS) EACH END
- 4. PACKAGING: TUBE

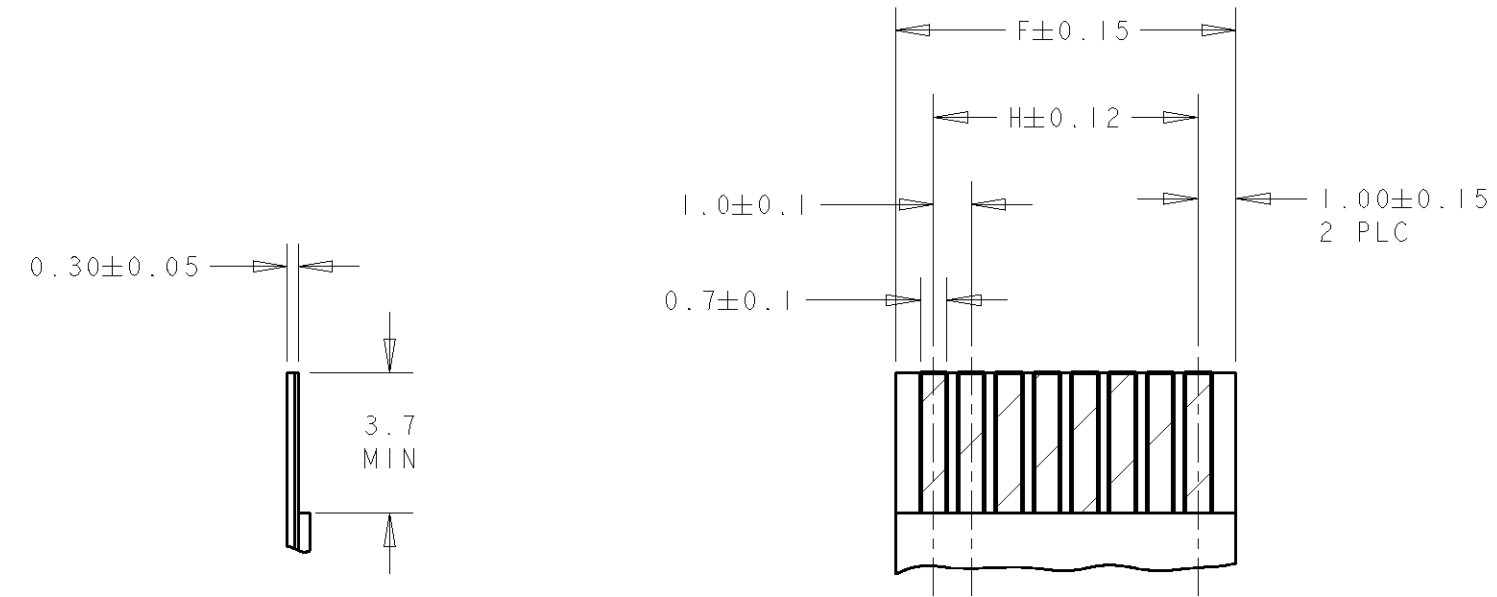


STATUS	H	G	F	E	POS.	PART NO.
OBSOLETE	39.00	42.00	41.00	41.00	40	4-1735244-0
	38.00	41.00	40.00	40.00	39	3-▲-9
	37.00	40.00	39.00	39.00	38	3--8
	36.00	39.00	38.00	38.00	37	3--7
	35.00	38.00	37.00	37.00	36	3--6
	34.00	37.00	36.00	36.00	35	3--5
	33.00	36.00	35.00	35.00	34	3--4
	32.00	35.00	34.00	34.00	33	3--3
	31.00	34.00	33.00	33.00	32	3--2
	30.00	33.00	32.00	32.00	31	3--1
ACTIVE	29.00	32.00	31.00	31.00	30	3-1735244-0
	28.00	31.00	30.00	30.00	29	2-▲-9
	27.00	30.00	29.00	29.00	28	2--8
	26.00	29.00	28.00	28.00	27	2--7
	25.00	28.00	27.00	27.00	26	2--6
	24.00	27.00	26.00	26.00	25	2--5
	23.00	26.00	25.00	25.00	24	2--4
	22.00	25.00	24.00	24.00	23	2--3
	21.00	24.00	23.00	23.00	22	2--2
	20.00	23.00	22.00	22.00	21	2--1
	19.00	22.00	21.00	21.00	20	2-1735244-0
	18.00	21.00	20.00	20.00	19	1-▲-9
	17.00	20.00	19.00	19.00	18	1--8
	16.00	19.00	18.00	18.00	17	1--7
	15.00	18.00	17.00	17.00	16	1--6
	14.00	17.00	16.00	16.00	15	1--5
	13.00	16.00	15.00	15.00	14	1--4
	12.00	15.00	14.00	14.00	13	1--3
11.00	14.00	13.00	13.00	12	1--2	
10.00	13.00	12.00	12.00	11	1--1	
9.00	12.00	11.00	11.00	10	1-1735244-0	
8.00	11.00	10.00	10.00	9	▲-9	
7.00	10.00	9.00	9.00	8	-8	
6.00	9.00	8.00	8.00	7	-7	
5.00	8.00	7.00	7.00	6	-6	
4.00	7.00	6.00	6.00	5	-5	
3.00	6.00	5.00	5.00	4	1735244-4	

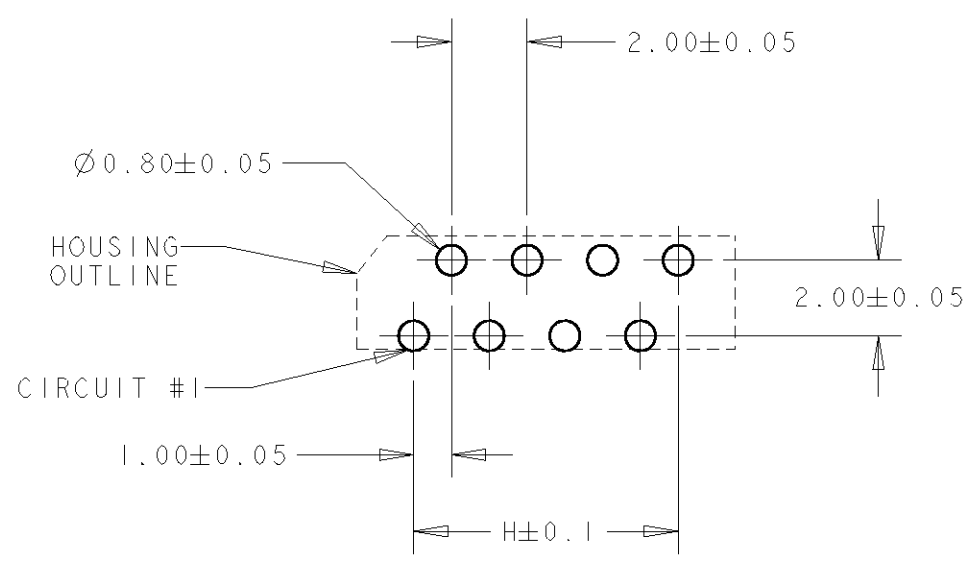
<small>THIS DRAWING IS A CONTROLLED DOCUMENT FOR AMP INCORPORATED. IT IS SUBJECT TO CHANGE AND THE CONTROLLING ENGINEERING ORGANIZATION SHOULD BE CONTACTED FOR THE LATEST REVISION.</small>		DWN WYLEE 12MAY05 CHK VINCENT TAN APVD SF L FONG PRODUCT SPEC 108-51069 APPLICATION SPEC - WEIGHT - CUSTOMER DRAWING	tyco Electronics Tyco Electronics Singapore Pte. Ltd.
DIMENSIONS: mm 	TOLERANCES UNLESS OTHERWISE SPECIFIED: 0 PLC ±0.30 1 PLC ±0.30 2 PLC ±0.30 3 PLC ±- 4 PLC ±- ANGLES ±3°	NAME ASSY, 1.00mm FFC CONN DIP, V (Au PLATED) SIZE A3 CAGE CODE 00779 DRAWING NO C-1735244 SCALE 5:1 SHEET 1 OF 2 REV A	
MATERIAL 1 	FINISH 2 		

THIS DRAWING IS UNPUBLISHED. RELEASED FOR PUBLICATION .19 .
 © COPYRIGHT 19 BY AMP INCORPORATED. ALL RIGHTS RESERVED.

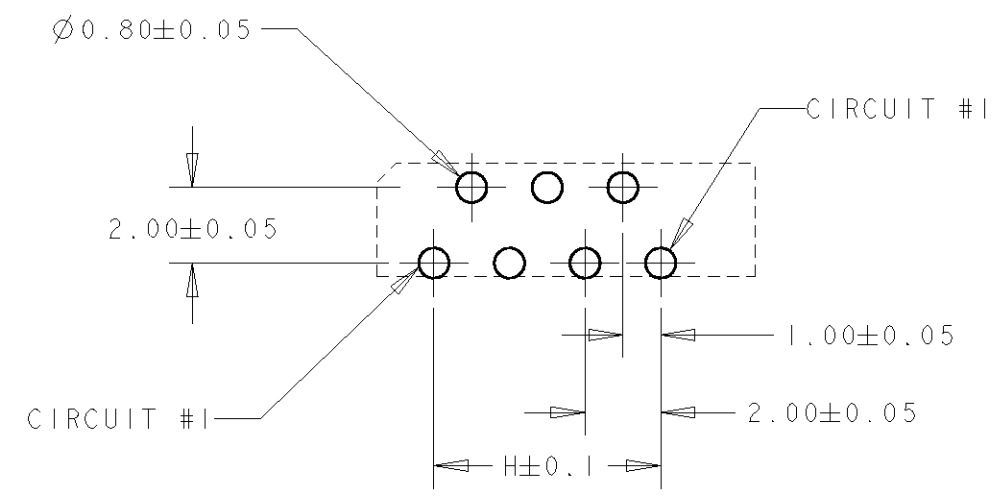
LOC	DIST	REVISIONS			
P	LTR	DESCRIPTION	DATE	DWN	APVD
DY	-	SEE SHEET 1			



RECOMMENDED FFC/FPC



RECOMMENDED PCB LAYOUT (THK= 1.6±0.1)
 (FOR EVEN POSITION CONNECTORS)
 NON-ACCUMULATIVE TOLERANCE



RECOMMENDED PCB LAYOUT (THK= 1.6±0.1)
 (FOR ODD POSITION CONNECTORS)
 NON-ACCUMULATIVE TOLERANCE

<small>THIS DRAWING IS A CONTROLLED DOCUMENT FOR AMP INCORPORATED. IT IS SUBJECT TO CHANGE AND THE CONTROLLING ENGINEERING ORGANIZATION SHOULD BE CONTACTED FOR THE LATEST REVISION.</small>		DWN WYLEE	12MAY05	Tyco Electronics Singapore Pte. Ltd.
DIMENSIONS: mm		CHK VINCENT TAN	APVD SE J FONG	
		TOLERANCES UNLESS OTHERWISE SPECIFIED: 0 PLC ±0.30 1 PLC ±0.30 2 PLC ±0.30 3 PLC ± 4 PLC ± ANGLES ±3°		PRODUCT SPEC 108-51069
MATERIAL 1		FINISH 2		APPLICATION SPEC -
		WEIGHT -		SIZE A3
		CUSTOMER DRAWING		CAGE CODE 00779
				DRAWING NO C=1735244
				SCALE 5:1
				SHEET 2 OF 2
				REV A