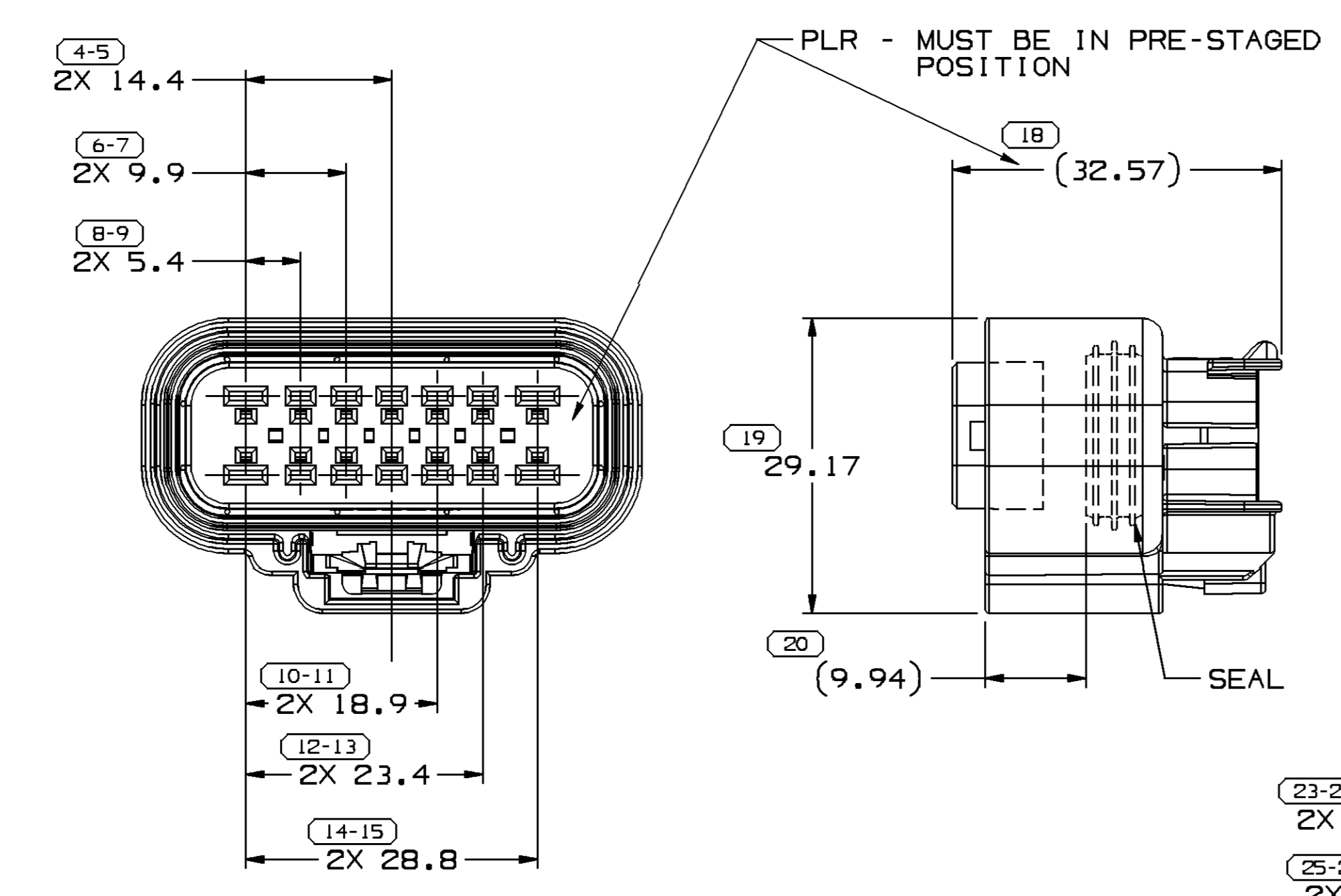
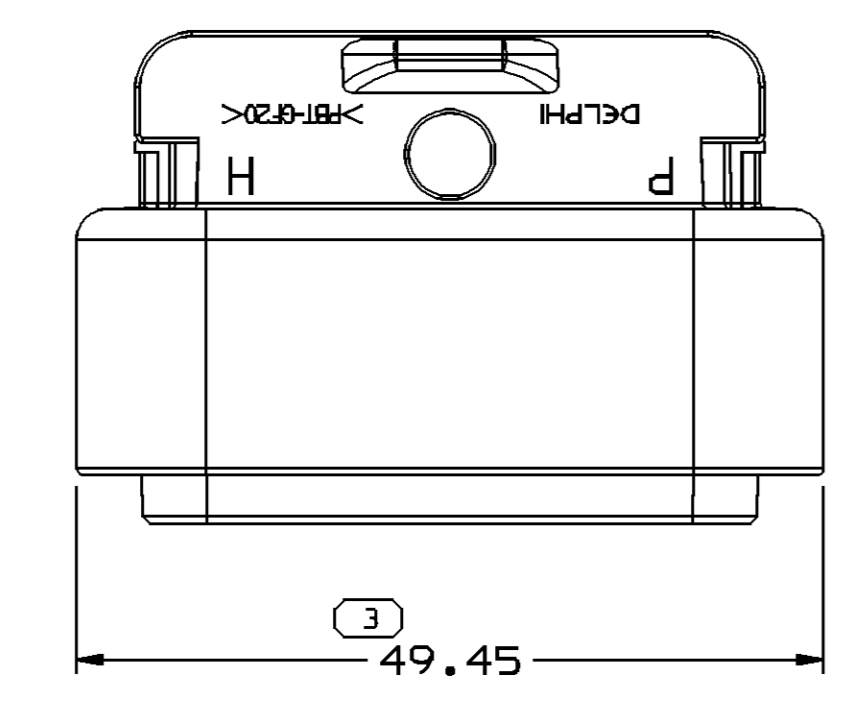


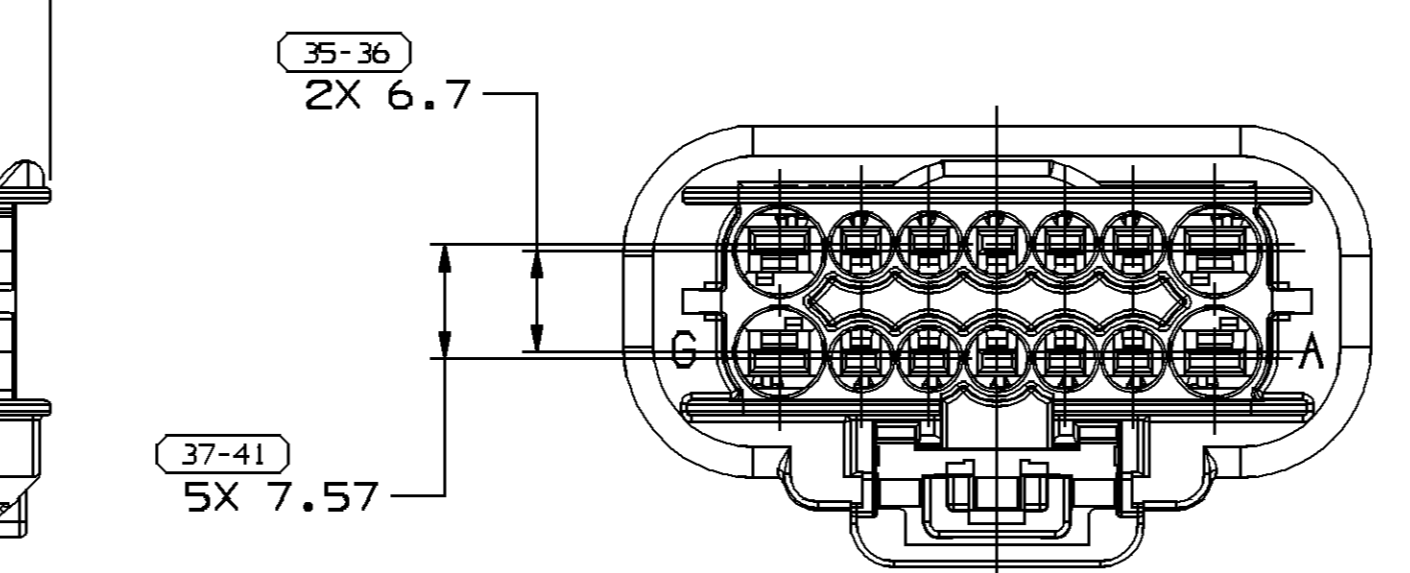
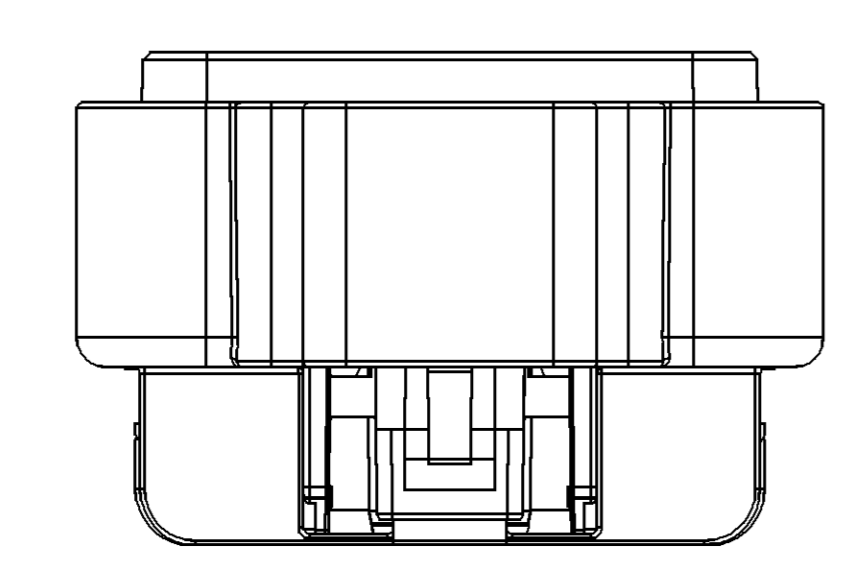
TYPE 102  
SAME AS TYPE 101  
EXCEPT AS SHOWN  
SCALE 1:1

TYPE 103  
SAME AS TYPE 101  
EXCEPT AS SHOWN  
SCALE 1:1

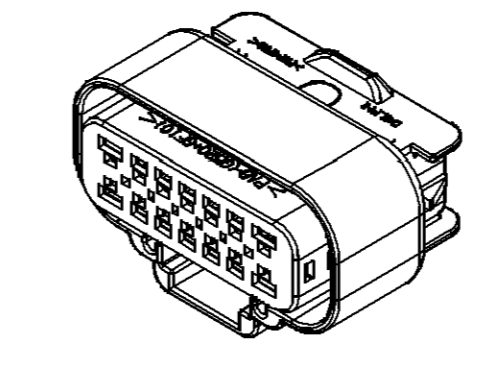
TYPE 104  
SAME AS TYPE 101  
EXCEPT AS SHOWN  
SCALE 1:1



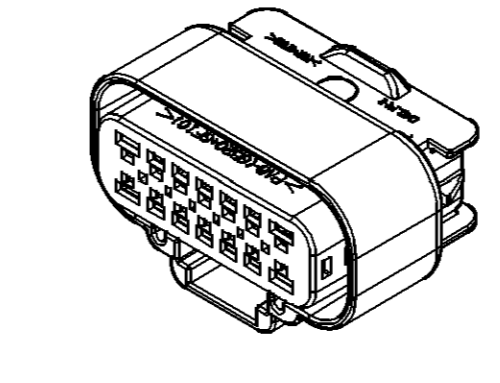
TYPE 101



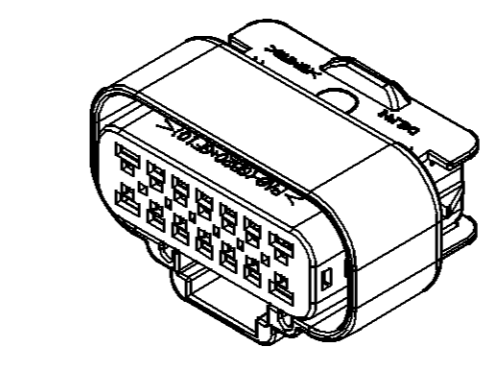
TYPE 104



TYPE 103



TYPE 102



TYPE 101

SYMBOL DEFINITION		MISSING NUMBERS	
THE NUMBER INSIDE THE SYMBOL ( ) CORRESPONDS TO THE NUMBER ON THE INSPECTION REPORT FOR THIS DRAWING/PART NUMBER	TOTAL NO. OF SYMBOLS ON DRAWING	24	
	LAST NO. USED	41	

DWG STATUS		ZONE		REVISION HISTORY		AUTH		DR		AP/VD	
DATE	STG	REV	N/P	CHG							
17FE00	R	001	-	-	15336037 WAS RE062620 AND RELEASED. 15358990, 15358991 & 15358992 RELEASED	000005	C.JP	C.JP	J5		
04JA01	R	002	-	-	REVISED CHART - 15358986 WAS 15388986	205624	C.JP	C.JP	J5		
23MY01	R	003	-	-	REMOVED TBA 15359005 FROM CHART, ADDED CONF16 DWG 15359022 TO CHART	209466	HAM	HAM	J5		
02ND01	R	004	-	-	15336037 - UPDATED PDM ATTRIBUTES	216659	MRL	MRL	JAS		
18AP02	R	05	-	-	ALL PARTS - REVISED MATING CONN COLUMN	218250	HAM	HAM	J5		
02MY02	R	06	-	-	ALL PARTS - REVISED CONNECTOR MATERIAL; 15437404 - RELEASED	224077	BRB	BRB	JAS		
23MY02	R	07	-	-	15437404 - UPDATED PDM ATTRIBUTES 15358990, 15358991, & 15358992 CORRECTED REVISION	225648	BRB	BRB	J5		
25SE06	R	08	-	-	15358990, 15358991 & 15358992 - REMOVED MATING CONFIG REQUIREMENTS DWG FROM CHART	284784	ACG	FRG	JAS		
21FE07	R	09	-	-	ALL PARTS - ADDED TPA INFORMATION TO CHART AND REVISED NOTE #4	400591	CCV	JVM	JAS		
26MR07	R	10	-	-	15336037 - UPDATED PDM ATTRIBUTES	400949	JTZ	JAA	J6S		
22MY07	R	11	-	-	ALL PARTS - ADDED "REPLACED BY" COLUMN ON CHART; 15336037 - PLACED ON RESTRICTED STATUS AND REPLACED BY 15437404; 15437404 - MATING CONN WAS 15437403	401401	JTZ	JVM	RWR		

- NOTES
- UNLESS OTHERWISE SPECIFIED AND/OR INDICATED:  
DIMENSIONS ARE TO FACE OF VIEW SHOWN AND AUTOMATICALLY ROUNDED BY COMPUTER FOR INSPECTION. (SEE MATH MODEL FOR PRECISE DIMENSIONS.) FOR ALL OTHER DIMENSIONS NOT SHOWN BUT REQUIRED FOR TOOL BUILD, SEE MATH MODEL FOR PRECISE TOOL PATH DATA. LIKE CAVITIES ARE IDENTICAL.
  - WHEN PARTS ARE SHIPPED THEY MUST BE PACKED IN PLASTIC BAGS OR SHIPPING CONTAINERS MUST BE LINED WITH PLASTIC LINERS. BAGS OR LINERS MUST BE SEALED TO AVOID FOREIGN MATTER.
  - SEALING CODE 2 - DESIGN WILL PASS SALT FOG TEST AFTER CONDITIONING AS SPECIFIED IN ESA 644 (WEATHER-PACK), ESA-710 (METRIC-PACK), ESA-650 (UNDERHOOD MICRO-PACK), C-4006 (WORLD CONNECTOR), ETC. WHEN MATED TO MATING PART OR EQUIVALENT.
  - THESE CONNECTOR ASSEMBLIES ACCEPT THE FOLLOWING OR EQUIVALENT:  
TERMINALS - 150 CAVITIES - 12191819  
280 CAVITIES - 15304720  
CABLE SEALS - 150 CAVITIES - 15366060  
280 CAVITIES - 15366067  
CAVITY PLUGS - 150 CAVITIES - 15305171  
280 CAVITIES - 15305170

ASM PART NO	REV	N/P	STATUS	TYPE	NUMBER OF CONN CAVITIES	CONNECTOR	PLR	SEAL	TPA	MATING CONN AND PLR ASM	FEMALE CONN ASM W/CPA	MATING CONFIGURATION REQUIREMENTS DWG	REPLACED BY
15437404	01	AB		101	14	15437402	15336039	15336040	15359005	15422562		15359022	
15358992	02	AD		104	14	15358988	15336039	15336040	15359005	15359000			
15358991	02	AD		103	14	15358987	15336039	15336040	15359005	15358999			
15358990	02	AD		102	14	15358986	15336039	15336040	15359005	15358998			
15336037	01	AF	RESTRICTED	101	14	15336036	15336039	15336040	15359005	15422562		15359022	15437404

(N/A) PROCESS SENSITIVE DIMENSION

DIMENSIONS ENCLOSED IN ( ) INDICATE REFERENCE DIMENSIONS AND NO TOLERANCE LIMITS ARE ESTABLISHED

DIMENSIONAL RANGE (MM)	TOLERANCE UNLESS OTHERWISE SPECIFIED
FROM > 0 TO > 20	±0.15
> 20 TO > 75	±0.2
> 75 TO > 100	±0.3
> 100 TO > 150	±0.4
> 150 TO > 200	±0.5
> 200 TO > 250	±0.6
> 250 TO > 300	±0.8
> 300 TO > 400	±1.0

THIRD ANGLE PROJECTION

DO NOT SCALE

USE MATH DATA

UNIVERSITY MICROFILMS

**DELPHI**

DELPHI PACKARD ELECTRICAL/ELECTRONIC ARCHITECTURE

DATE: 01-Jun-07

DR	DATE
APV01 CHUCK PAPAS	17FE00
APV02 CHUCK PAPAS	17FE00
APV03 J.A. SVETTE	18FE00
APV04	
APV05	

UNLESS OTHERWISE SPECIFIED THIS DOCUMENT IS IN ACCORDANCE WITH ASME Y14.5M-1994 AS MODIFIED BY THE IN CHARGE, DIMENSIONAL AND TOLERANCE REQUIREMENTS ARE TO BE DETERMINED FROM THE DRAWING AND RELATED DATUM APPLY. FILE # (UNLESS OTHERWISE SPECIFIED) IS ESTABLISHED BY ORIENTATION OR LOCATION TOLERANCES. SURFACE FINISH CALLOUTS MAY BE OMBED SEPARATELY, REGARDLESS OF DATUM REFERENCE. ALL DIMENSIONS ARE IN MILLIMETERS.

REFERENCE

DRIVING NAME: TAXI ASM CONN F 6T 150 280 SLD

DRIVING NUMBER: 15358989

SCALE: 2:1

FRONT VIEW: 1 OF 1

SHEET NO: 1

REV: 1

N/P: -