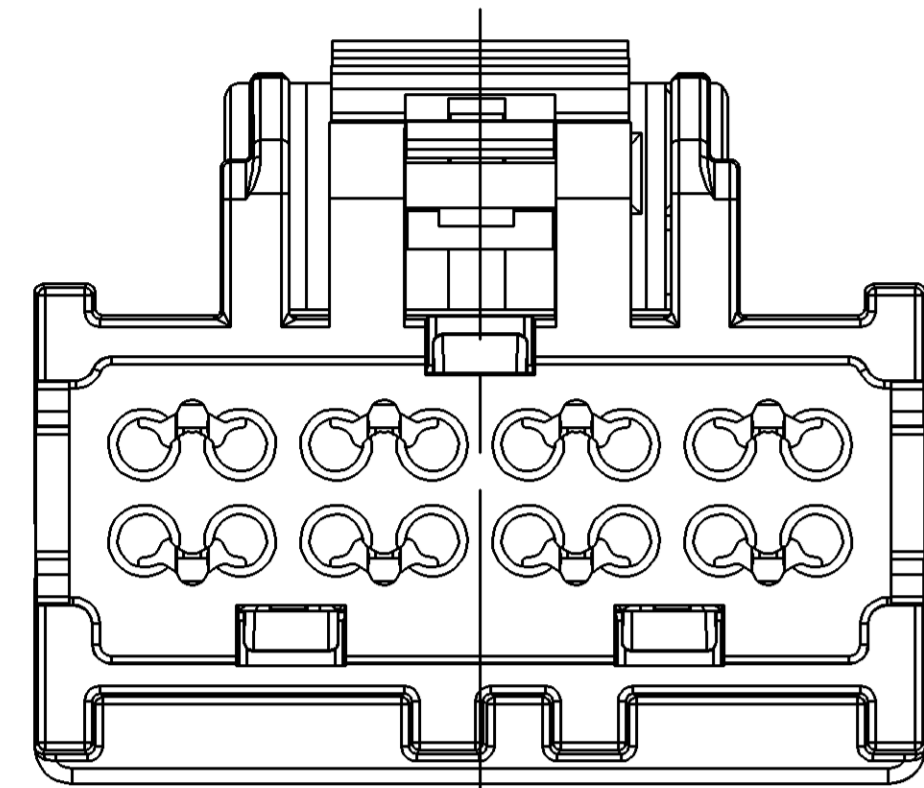
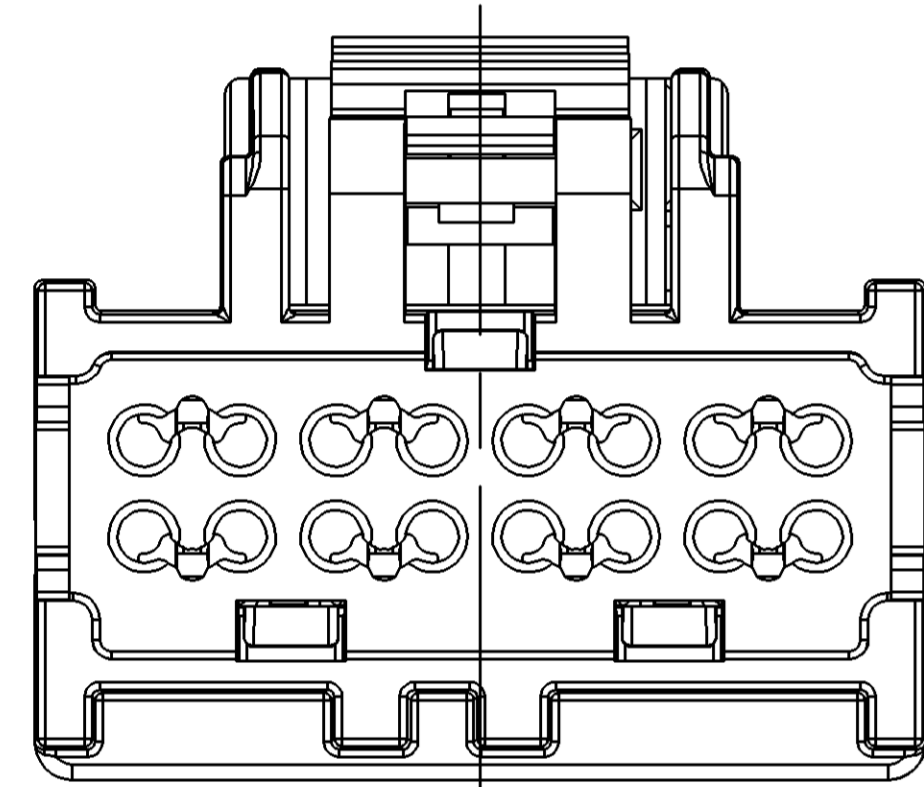


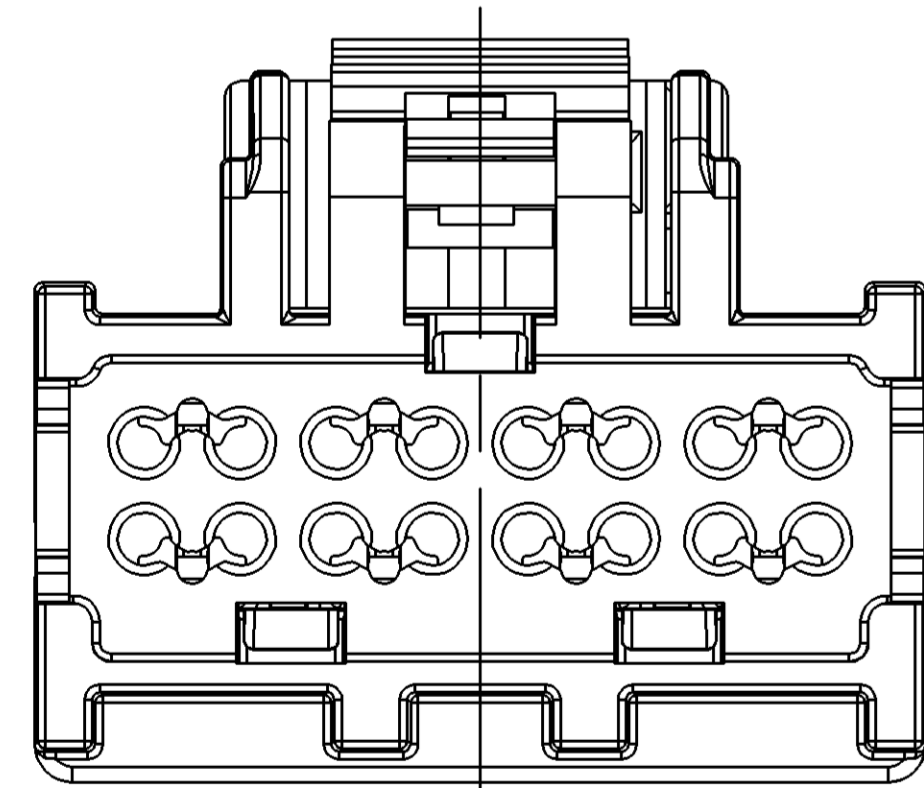
TYPE 102  
SAME AS TYPE 101  
EXCEPT AS SHOWN



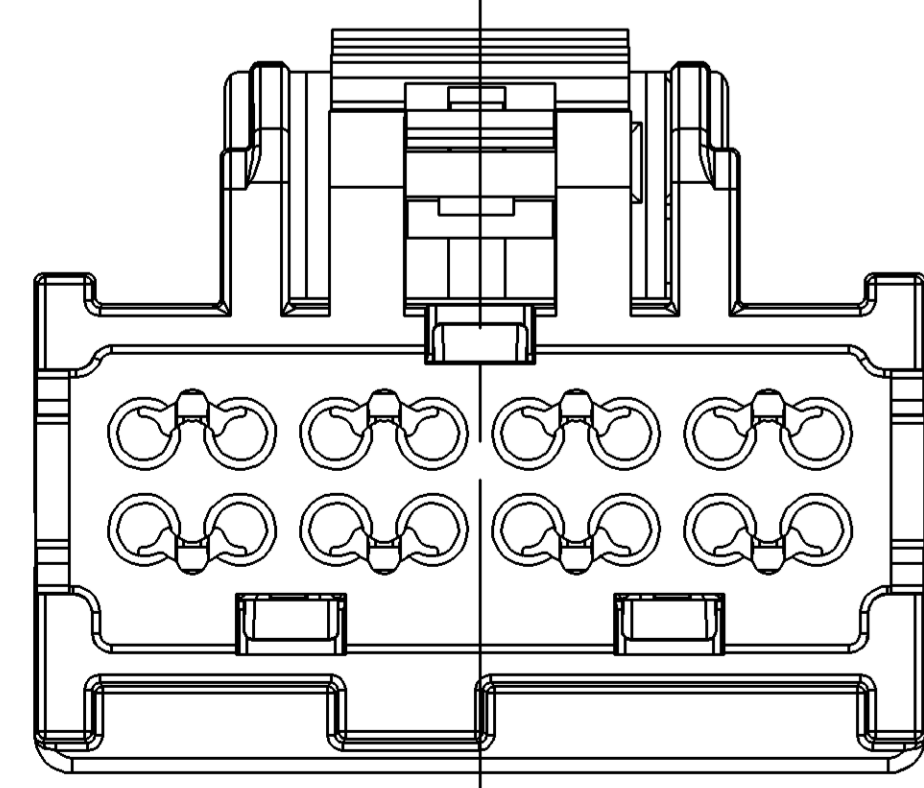
TYPE 103  
SAME AS TYPE 101  
EXCEPT AS SHOWN



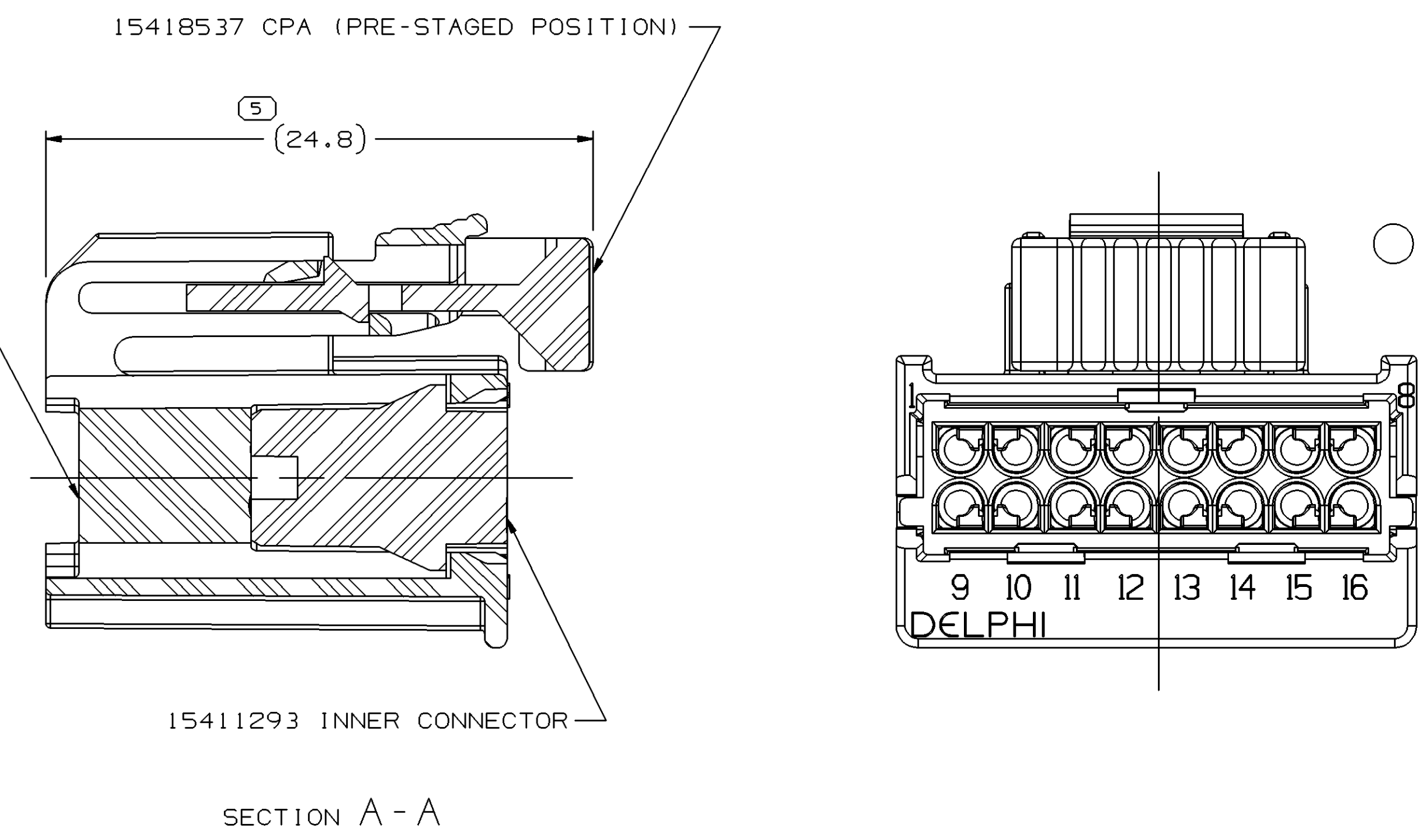
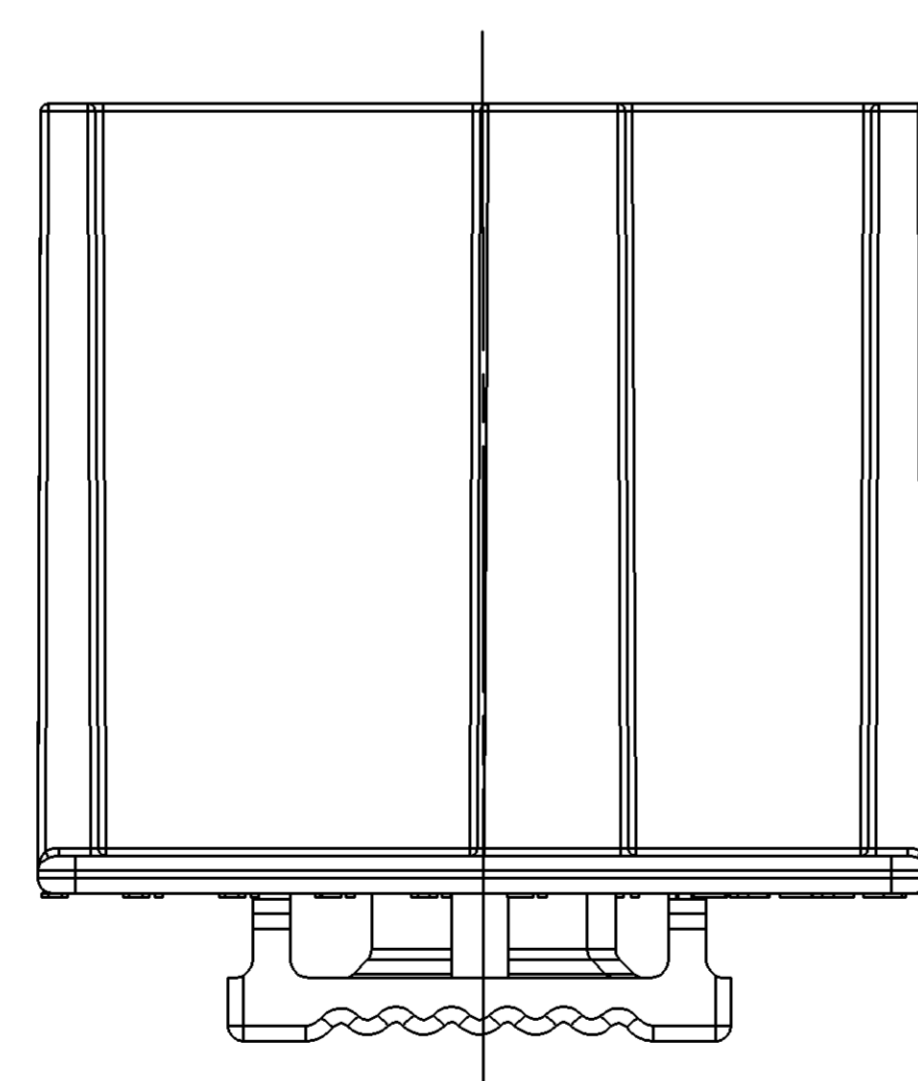
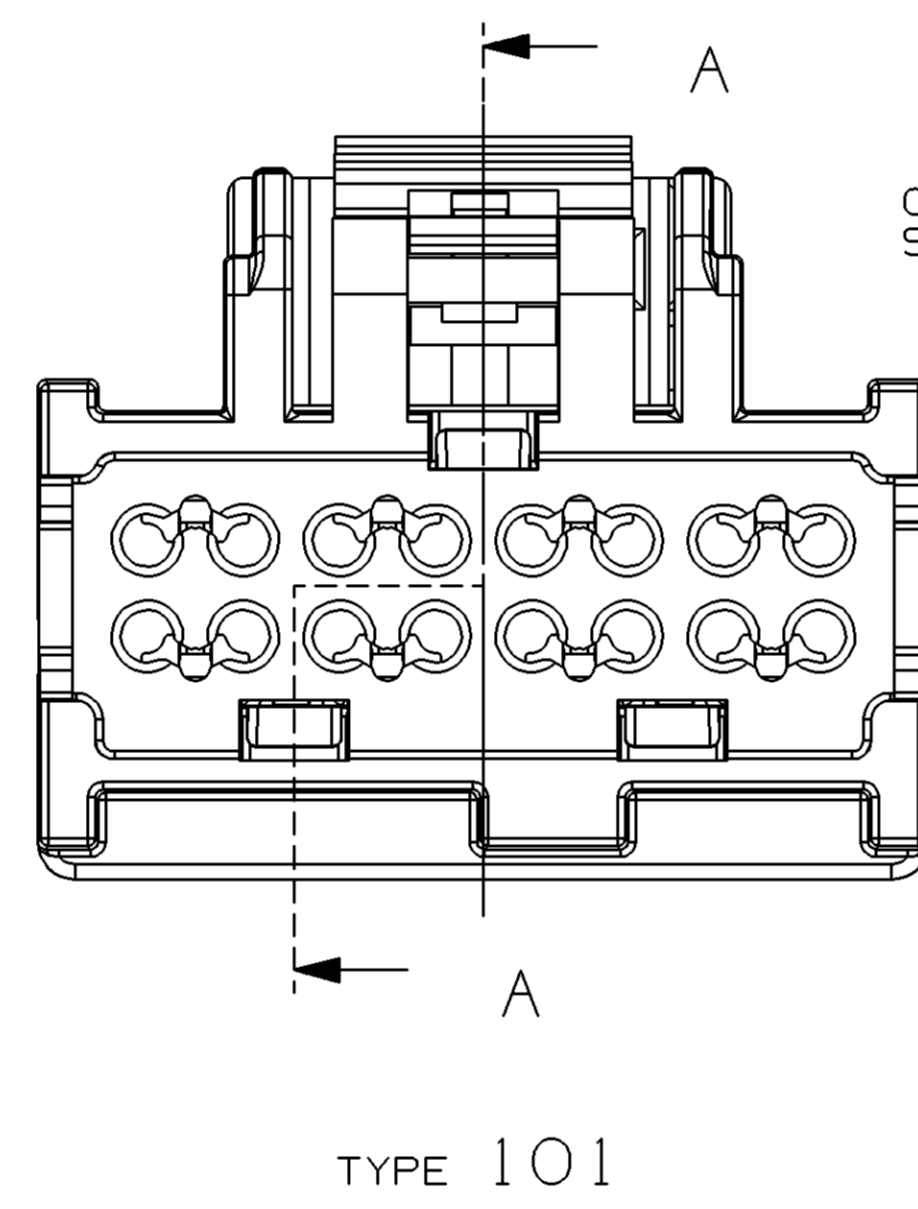
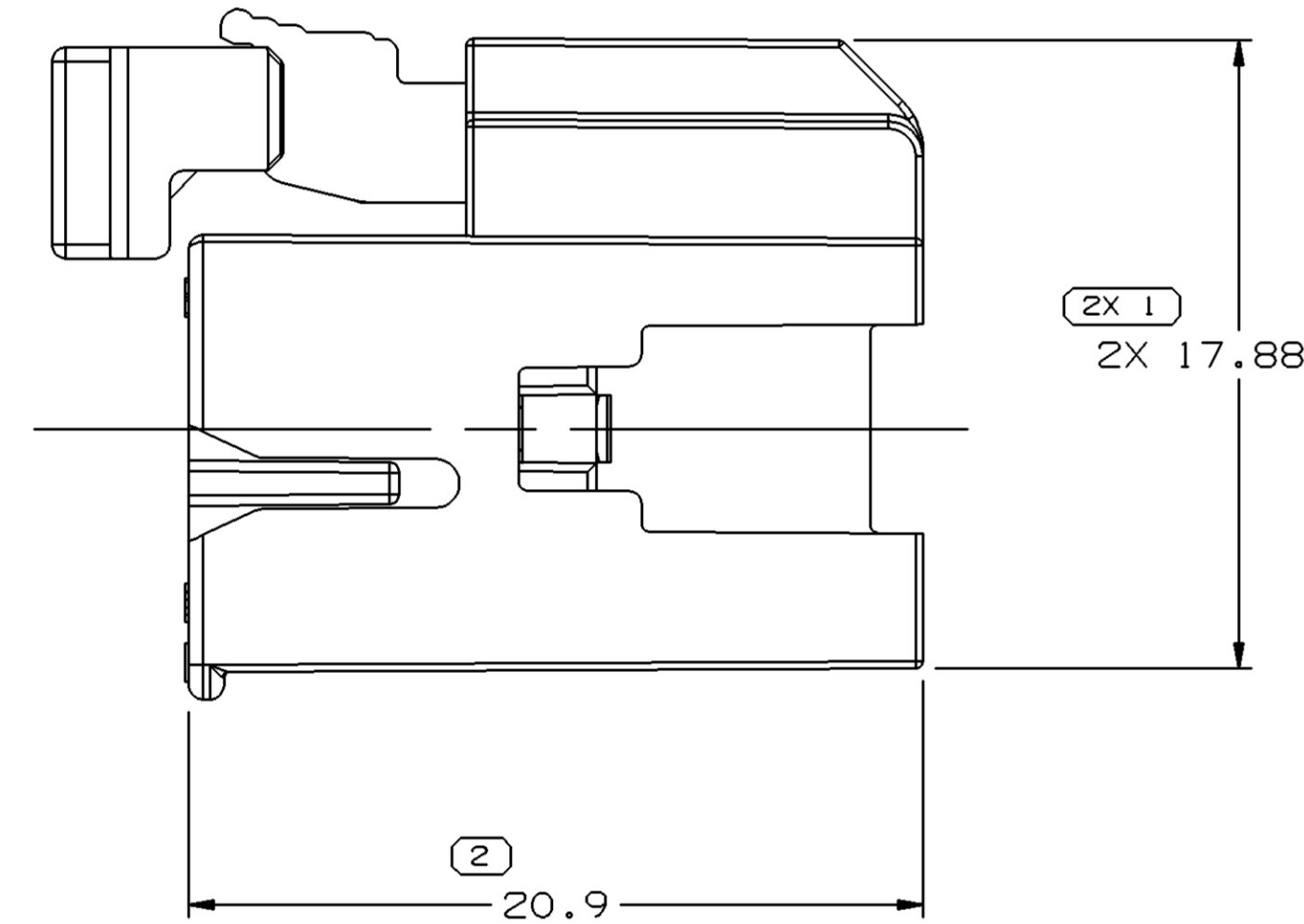
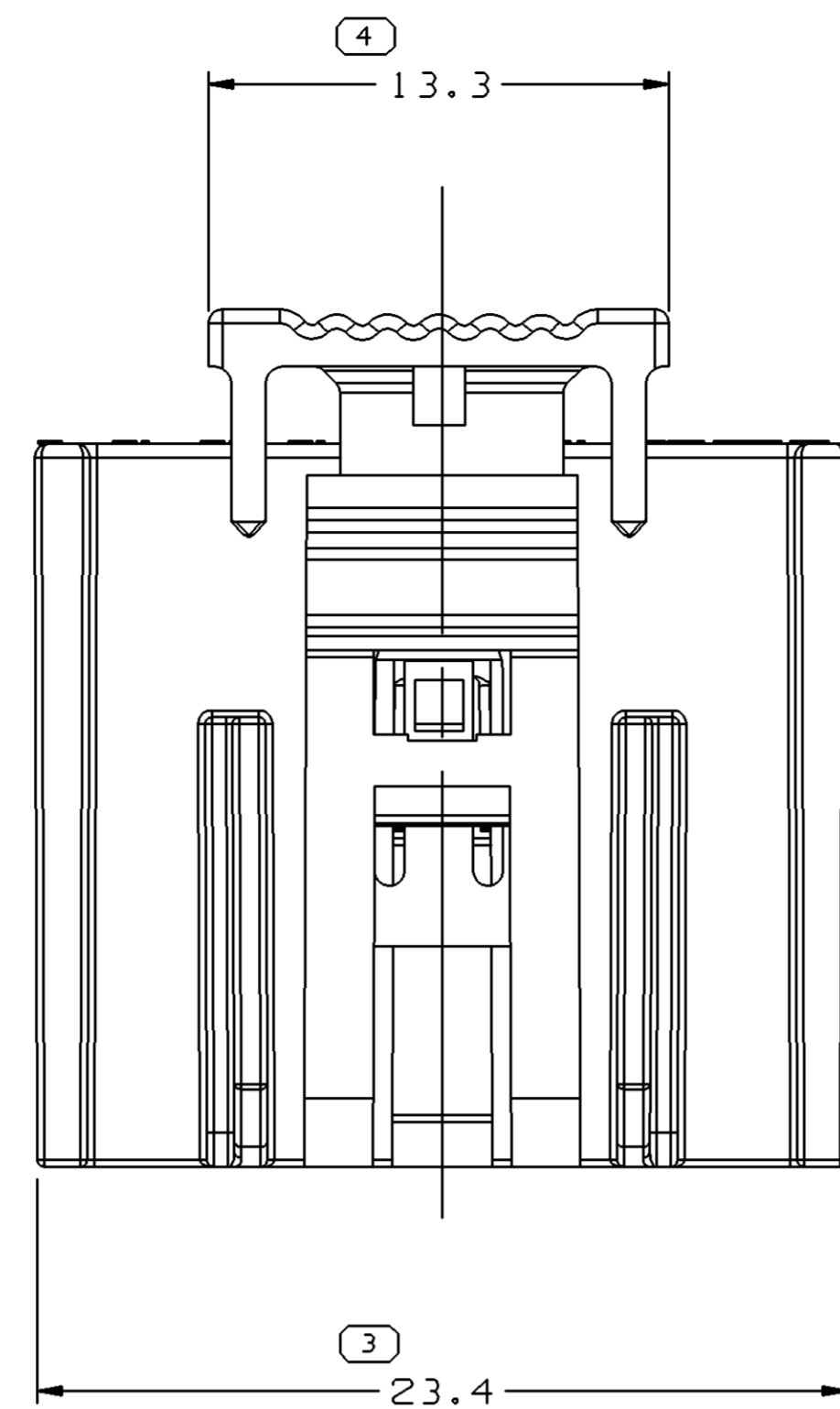
TYPE 104  
SAME AS TYPE 101  
EXCEPT AS SHOWN



TYPE 105  
SAME AS TYPE 101  
EXCEPT AS SHOWN



TYPE 106  
SAME AS TYPE 101  
EXCEPT AS SHOWN



SYMBOL DEFINITION		MISSING SYMBOLS	
A DIMENSION WITHOUT AN INSPECTION REPORT SYMBOL DOES NOT REQUIRE INSPECTION. IT MAY BE CONTROLLED ON THE INDIVIDUAL COMPONENT DRAWING.	TOTAL NO OF INSPECTIONS REQUIRED	NO MISSING SYMBOL NUMBER	
	6		
	LAST NO. USED	5	

DATE	STG	REV	N/P	CHG	ZONE	REVISION HISTORY	AUTH	DR	APVD	APVD 2
14AU01	-	01	-	-		15394150 - ADDED TO TAX1 15394149, 15394151, 15394152, 15394153 15394154 - RELEASED	211275	AKJ	AKJ	BG
19AP02	-	02	-	-		ALL PARTS - REVISED NOTES; ADDED MATING INFORMATION TO CHART	223481	END	END	BG
02MY02	-	03	-	-		ALL PARTS - REVISED NOTE #2 15359196 WAS 15411307	224795	JR	JR	BG
29MY02	R	04	-	-		ALL PARTS - 15411293 WAS 15359195, 15418357 WAS 15359197; 15394150 CONNECTOR BODY WAS 15359194	225781	MB	MAC	BTG
24JA03	R	05	-	-		15394150 - ADVANCED REVISION LEVEL	235918	LMB	LMB	TV
13FE04	-	06	-	-		15394150 - REVISED CUSTOMER DRAWING	250730	JEB	JEB	TV
03MR04	R	07	-	-		15394150 - UPDATED PDM ATTRIBUTES; 15394150 - ADVANCED REVISION LEVEL WAS ALL PARTS - ADVANCED REVISION LEVEL; 15394150 - REVISED CUSTOMER DRAWING WAS REVISED CUSTOMER DRAWING	252523	ADK	ADK	AMK
12OC04	R	08	-	-		ALL PARTS - UPDATED FORMAT; ADDED BACK VIEW; BOTTOM VIEW WAS FIRST ANGLE	259842	MLM	BRB	AMK

NOTES

- UNLESS OTHERWISE SPECIFIED AND/OR INDICATED:  
DIMENSIONS ARE TO FACE OF VIEW SHOWN AND AUTOMATICALLY ROUNDED BY COMPUTER FOR INSPECTION (SEE MATH MODEL FOR PRECISE DIMENSIONS). FOR ALL OTHER DIMENSIONS NOT SHOWN BUT REQUIRED FOR TOOL BUILD, SEE MATH MODEL FOR PRECISE TOOL PATH DATA.
- THIS PART ACCEPTS THE FOLLOWING COMPONENTS OR EQUIVALENT:  
SECONDARY TERMINAL LOCK 15359196  
TERMINALS: 15394147 OR 15401440 OR EQUIVALENT
- SEE TAX1 15429814 FOR ASSEMBLIES W/O CPA.
- (1.11X10.1) RAISED DELPHI CORPORATE BRAND TO BE LOCATED ON ANY EXTERIOR SURFACE, PREFERABLY VISIBLE AT FINAL ASSEMBLY. OPTIONAL CONSTRUCTION TO BE "PED" OR NO LOGO.
- MATERIAL RECYCLING CODE >PA6-GB20+GF10< PER SAE J1344. (1.11X10.1) RAISED CHARACTERS TO BE LOCATED ON ANY EXTERIOR SURFACE. OPTIONAL CONSTRUCTION TO BE NO MATERIAL RECYCLING CODE.

15394154	02	AA	-	M3571001	PA6 (GB20+GF10)HS	NAT	106	15394146	F	15429809	15394160, 15430452
15394153	02	AA	-	M3571008	PA6 (GB20+GF10)HS	BLU	105	15394145	E	15429808	15394159, 15430451
15394152	02	AA	-	M3571007	PA6 (GB20+GF10)HS	GRN	104	15394144	D	15429807	15394158, 15430450
15394151	02	AA	-	M3571010	PA6 (GB20+GF10)HS	BRN	103	15394143	C	15429806	15394157, 15430449
15394149	02	AA	-	M3571003	PA6 (GB20+GF10)HS	GRA	102	15394141	B	15429805	15394156, 15430448
15394150	02	AD	-	M3571002	PA6 (GB20+GF10)HS	BLK	101	15411434	A	15416970	15420632, 15430447, 15359190, 15429905
ASM PART NO	REV	N/P	STATUS	MATERIAL SPECIFICATION AND COLOR			TYPE	CONNECTOR BODY	USCAR TYPE	ASM PART NO W/O CPA	MATING CONNECTOR

DIMENSIONAL RANGE (MM)		TOLERANCE UNLESS OTHERWISE SPECIFIED	
FROM	TO		
> 0	> 20	± 0.3	± 0.1
> 20	> 30	± 0.4	± 0.1
> 30	> 70	± 0.5	± 0.1
> 70	> 100	± 0.6	± 0.1
> 100	> 150	± 0.8	± 0.1
> 150	> 200	± 1.0	± 0.1
> 200	> 250	± 1.2	± 0.1
> 250	> 300	± 1.5	± 0.1
> 300	> 400	± 2.0	± 0.1

DIMENSIONAL RANGE (MM)		TOLERANCE UNLESS OTHERWISE SPECIFIED	
FROM	TO		
> 0	> 20	± 0.3	± 0.1
> 20	> 30	± 0.4	± 0.1
> 30	> 70	± 0.5	± 0.1
> 70	> 100	± 0.6	± 0.1
> 100	> 150	± 0.8	± 0.1
> 150	> 200	± 1.0	± 0.1
> 200	> 250	± 1.2	± 0.1
> 250	> 300	± 1.5	± 0.1
> 300	> 400	± 2.0	± 0.1

**DELPHI**  
DELPHI PACKARD ELECTRIC SYSTEMS  
WARREN, OH

DR	DATE
DR ANAND JAGANATHAN	14AU01
APVD1 ANAND JAGANATHAN	14AU01
APVD2 ANAND JAGANATHAN	14AU01
APVD3 BRIAN GEISLER	15AU01
APVD4	

THIS DOCUMENT IS IN ACCORDANCE WITH ASME Y14.5M-1994  
AS MARKED BY THE DIMENSIONING AND TOLERANCING ADDENDUM - 1997. ALL GEOMETRIC TOLERANCES AND RELATED SURFACE APPLICABLE TO THE PART IF PRESENT FORM IS ESTABLISHED BY ORIENTATION OR LOCATION TOLERANCES, REGARDLESS OF DATUM REFERENCE.  
ALL DIMENSIONS ARE IN MILLIMETERS

DRAWING NAME	
TAX1 CONN 16 F MICRO 64	

DRAWING NUMBER	
15394155	

SIZE	SCALE	FRAME NO	SHEET NO	REV	N/P
A0	5:1	1	1	1	08