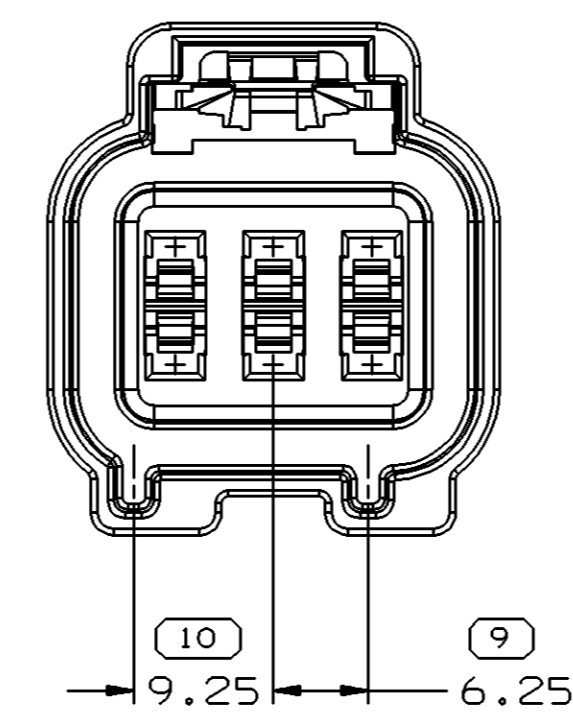
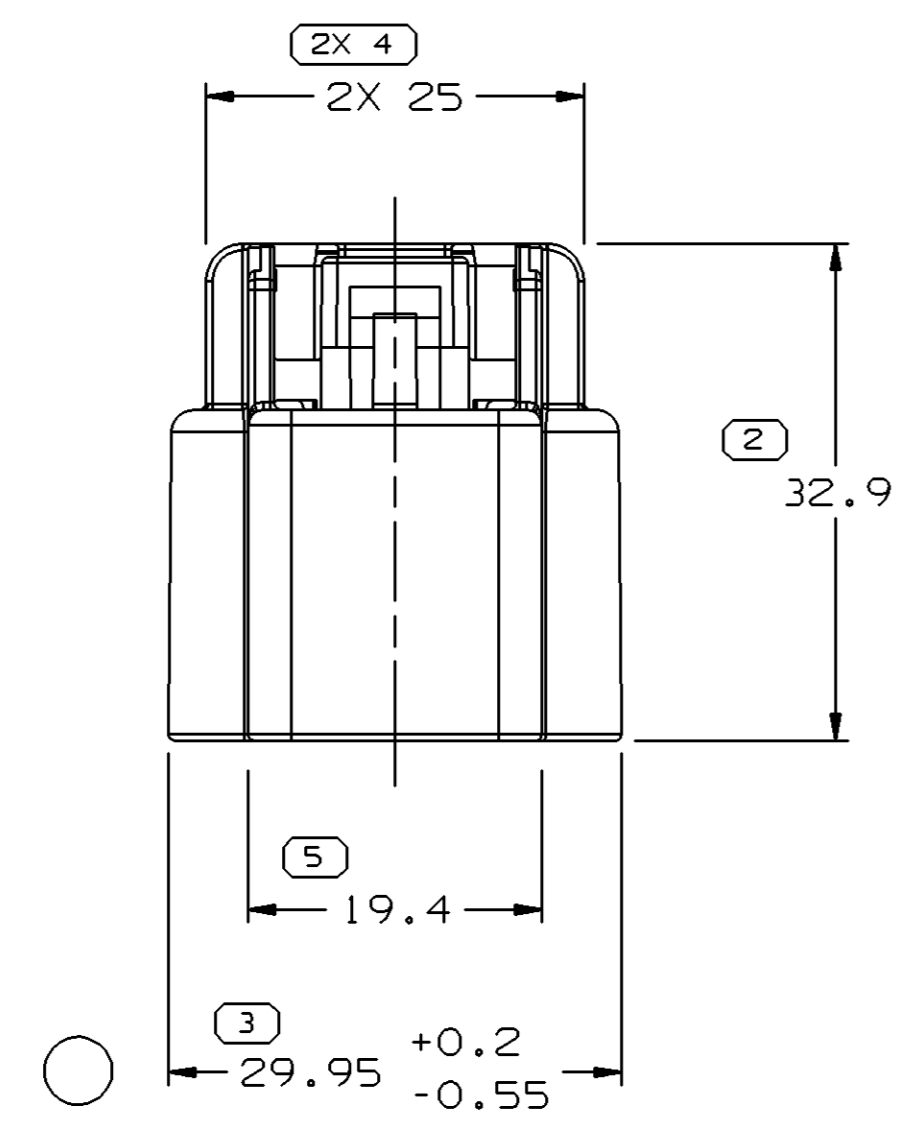
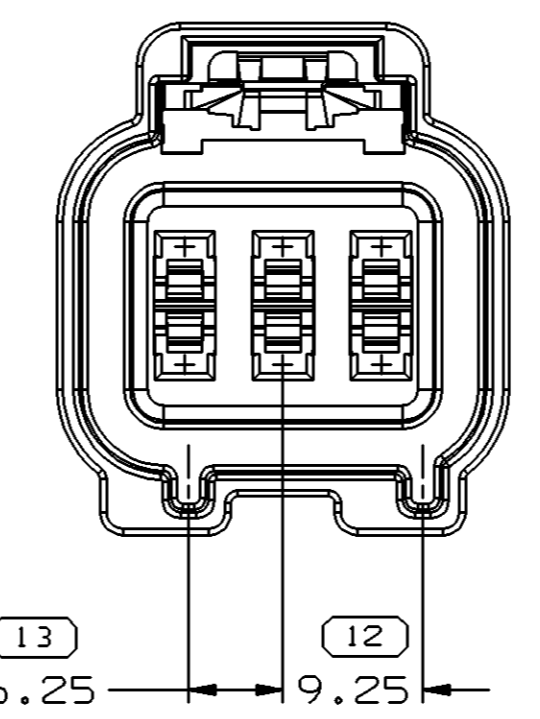


SYMBOL DEFINITION		MISSING SYMBOLS	
A DIMENSION WITHOUT AN INSPECTION REPORT SYMBOL DOES NOT REQUIRE INSPECTION. IT MAY BE CONTROLLED ON THE INDIVIDUAL COMPONENT DRAWING.	TOTAL NO OF INSPECTIONS REQUIRED	NO MISSING SYMBOL NUMBER	20
	LAST NO. USED		19

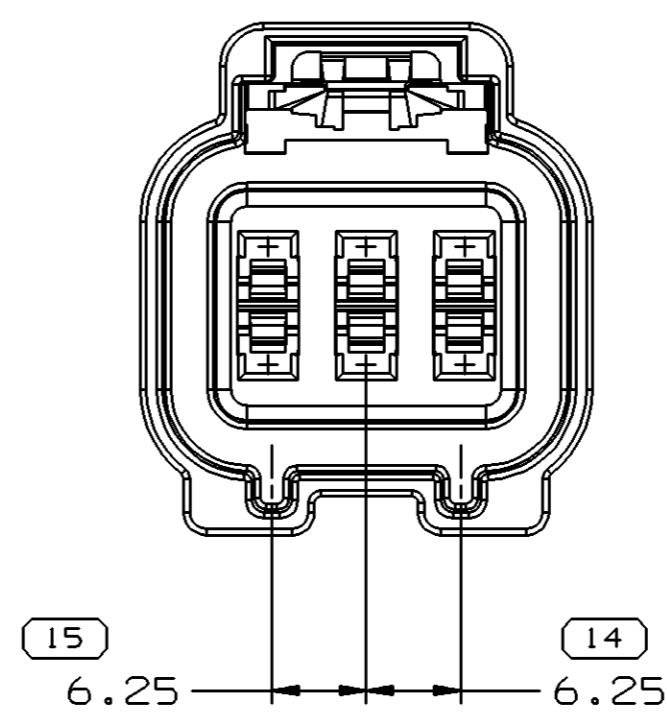
DWG STATUS					ZONE	REVISION HISTORY	AUTH	DR	APVD1	APVD2
DATE	STG	REV	N/P	CHG						
24MR04	R	01	-	-		WAS PE119671 AND RELEASED	253076	ADK	ADK	MJC
18AU04	R	02	-	-		ALL PARTS - ADDED CAVITY RIBS	258025	EES	EES	MJC
11MR05	R	02	AA	-		ALL PARTS - REVISED DIM(S) 16-19 AND REVISED TOLERANCE DIM(S) 3, 8 & 11	265572	RTV	JVM	MJC



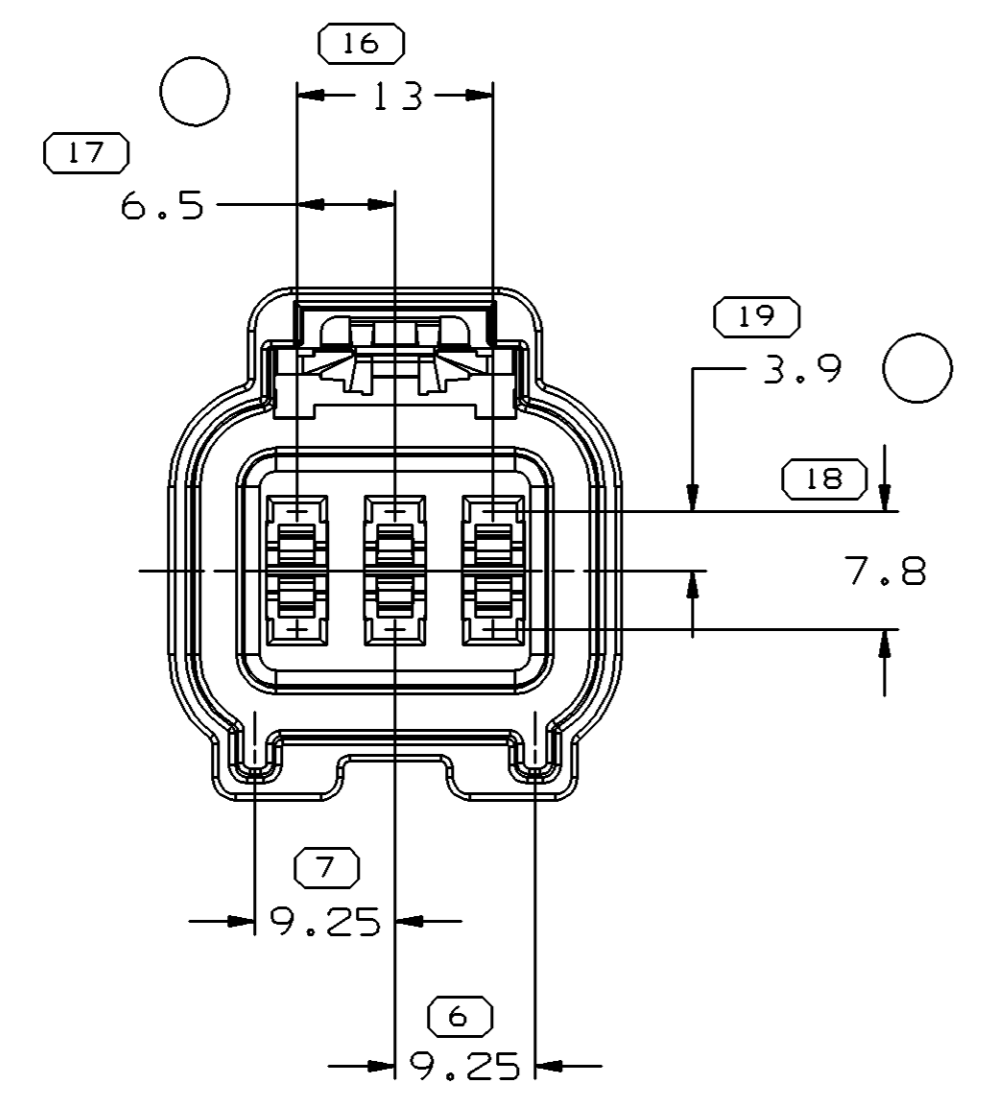
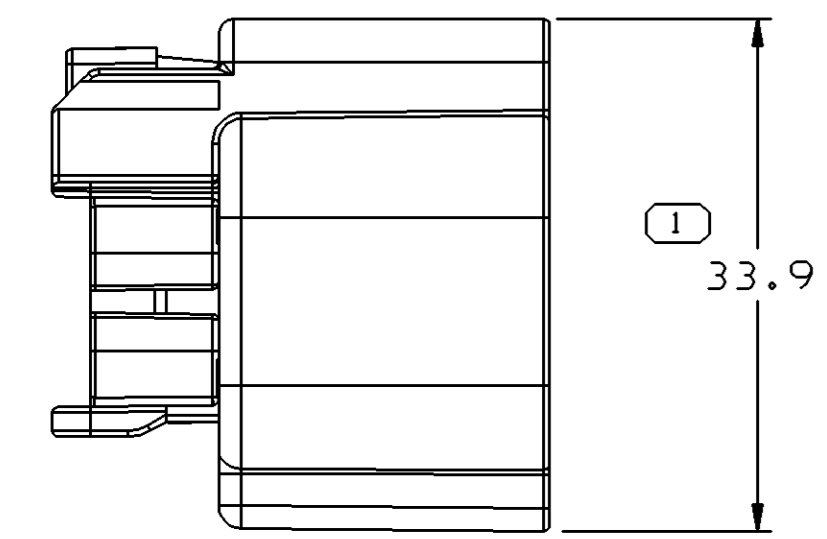
TYPE 102
SAME AS TYPE 101
EXCEPT AS SHOWN



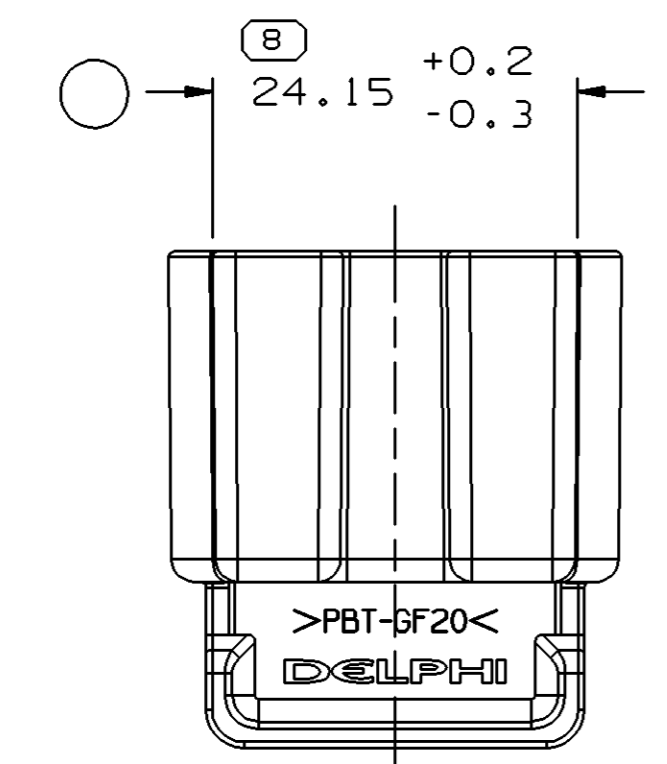
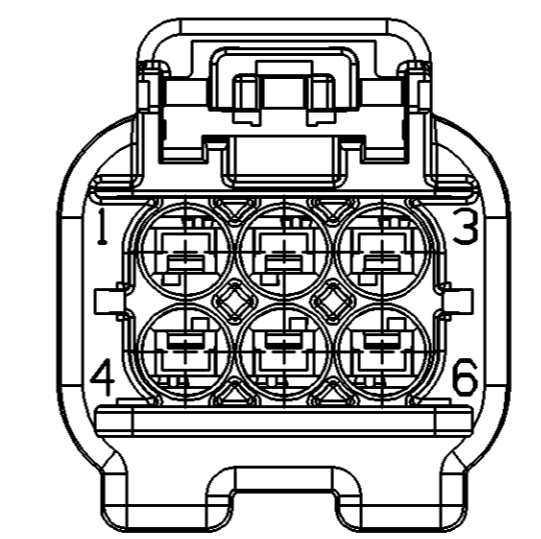
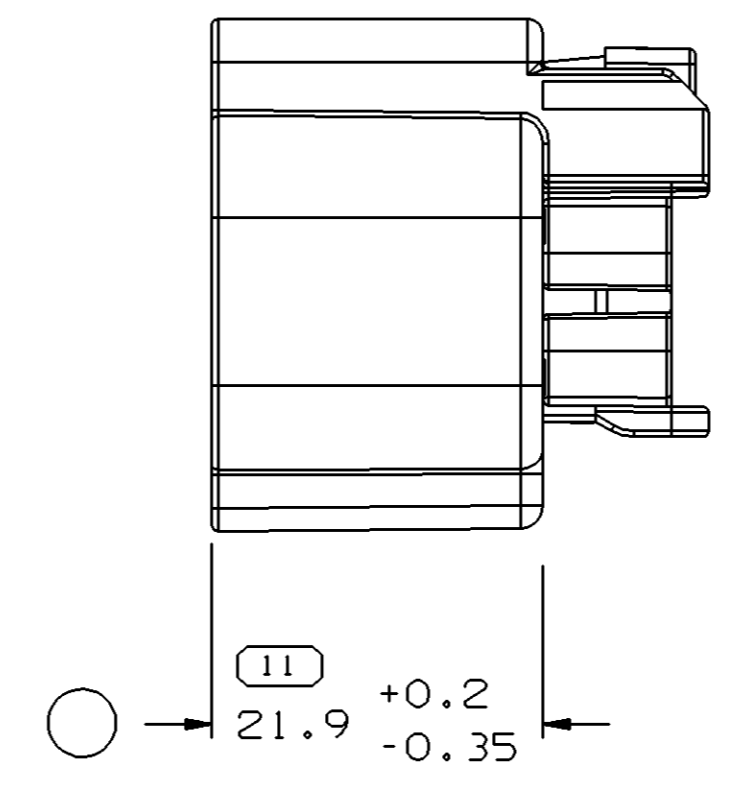
TYPE 103
SAME AS TYPE 101
EXCEPT AS SHOWN



TYPE 104
SAME AS TYPE 101
EXCEPT AS SHOWN

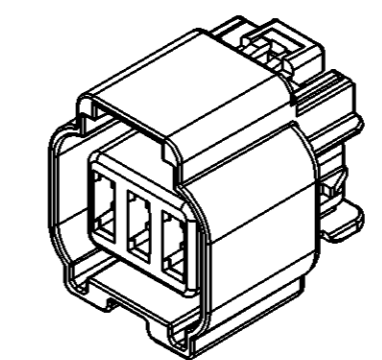


TYPE 101



NOTES

- UNLESS OTHERWISE SPECIFIED AND/OR INDICATED:
DIMENSIONS ARE TO FACE OF VIEW SHOWN AND AUTOMATICALLY ROUNDED BY COMPUTER FOR INSPECTION (SEE MATH MODEL FOR PRECISE DIMENSIONS). FOR ALL OTHER DIMENSIONS NOT SHOWN BUT REQUIRED FOR TOOL BUILD, SEE MATH MODEL FOR PRECISE TOOL PATH DATA.
- PARTS SHOWN ON THIS DRAWING USED IN ASSEMBLIES SHOWN ON TAXI 15490985.
- MATERIAL RECYCLING CODE PER ISO 11469. (1.5)X(0.1) RAISED CHARACTERS AS SHOWN TO BE LOCATED ON ANY EXTERIOR SURFACE. OPTIONAL CONSTRUCTION TO BE NO MATERIAL RECYCLING CODE.
- REFERENCE MATING COMPONENTS OR EQUIVALENT:
SEE CHART FOR USCAR REFERENCE
- (1.5)X(0.1) RAISED DELPHI CORPORATE BRAND TO BE LOCATED ON ANY EXTERIOR SURFACE, PREFERABLY VISIBLE AT FINAL ASSEMBLY. OPTIONAL CONSTRUCTION TO BE "PED" OR NO LOGO.



15476192	02	AA		104	M4629007 PBT GF20 GRN	280-S-006-2-D01	10.790
15476191	02	AA		103	M4629010 PBT GF20 BRN	280-S-006-2-C01	10.780
15476190	02	AA		102	M4629003 PBT GF20 GRA	280-S-006-2-B01	10.780
15476189	02	AA		101	M4629002 PBT GF20 BLK	280-S-006-2-A01	10.770
PART NO	REV	N/P	STATUS	TYPE	MATERIAL	USCAR INDEX TYPE & REFERENCE	VOLUME (CM ³)

DIMENSIONAL RANGE (MM)		CHART #1	
FROM	TO	TOLERANCE	CHART #1
> 0	> 20	±0.15	1
> 20	> 30	±0.2	2
> 30	> 70	±0.3	3
> 70	> 100	±0.4	4
> 100	> 150	±0.5	5
> 150	> 200	±0.6	6
> 200	> 250	±0.8	7
> 250	> 300	±1	8
> 300	> 400	±1.2	9

DWG TYPE: PART DRAWING

STYLE: SEE CHART

VOLUME (CM³): SEE CHART

DISTR CODE: D

UNLESS OTHERWISE SPECIFIED
THIS DOCUMENT IS IN ACCORDANCE WITH ASME Y14.5M-1994 AS AMENDED BY THE GM GLOBAL DIMENSIONING AND TOLERANCING ADDENDUM - 1997. ALL GEOMETRIC TOLERANCES AND RELATED DATUMS APPLY RFS. RULE #1 PERFECT FORM AT MMC DOES NOT APPLY WHEN RELATIONSHIP BETWEEN FEATURES IS ESTABLISHED BY ORIENTATION OR LOCATION TOLERANCES. SEPARATE POSITION CALLOUTS MAY BE GAGED SEPARATELY, REGARDLESS OF DATUM REFERENCE.
ALL DIMENSIONS ARE IN MILLIMETERS

THIRD ANGLE PROJECTION

DO NOT SCALE

USE MATH DATA

UNIGRAPHICS

DELPHI
DELPHI PACKARD ELECTRIC SYSTEMS
WARREN, OH

DR	DATE
J. CUPIT	02AP02
J. CUPIT	02AP02
J. CUPIT	02AP02
MAL CULP	26MY03

THIS DOCUMENT IS IN ACCORDANCE WITH ASME Y14.5M-1994 AS AMENDED BY THE GM GLOBAL DIMENSIONING AND TOLERANCING ADDENDUM - 1997. ALL GEOMETRIC TOLERANCES AND RELATED DATUMS APPLY RFS. RULE #1 PERFECT FORM AT MMC DOES NOT APPLY WHEN RELATIONSHIP BETWEEN FEATURES IS ESTABLISHED BY ORIENTATION OR LOCATION TOLERANCES. SEPARATE POSITION CALLOUTS MAY BE GAGED SEPARATELY, REGARDLESS OF DATUM REFERENCE.
ALL DIMENSIONS ARE IN MILLIMETERS

SUBSTANCES OF CONCERN AND RECYCLED CONTENT PER DELPHI 10949001

MATERIAL: SEE CHART

DRAWING NAME: TAXI CONN 6 F GT 280 SLD

DRAWING NUMBER: 15490984

SIZE	SCALE	FRAME NO	SHEET NO	STG	REV	N/P	APVD
A1	2:1	1 OF 1	1 OF 1	R	02	AA	