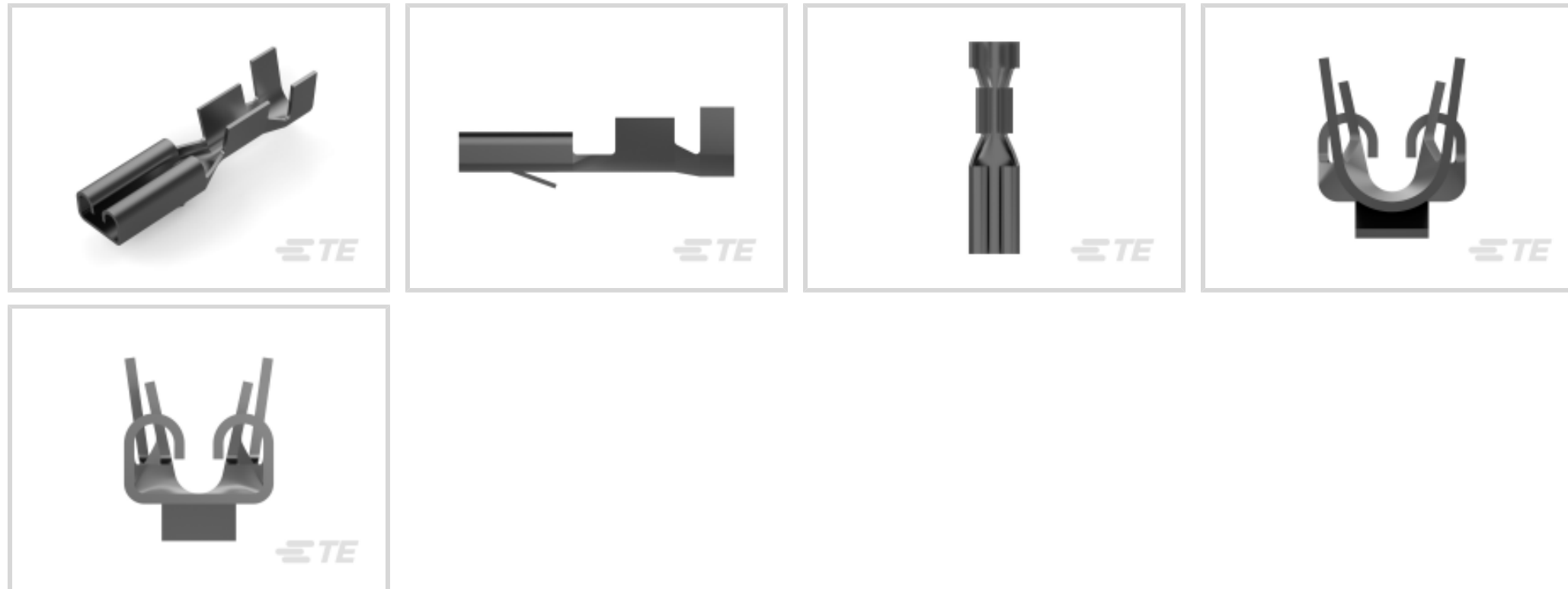




Terminals & Splices > Quick Disconnects



Quick Disconnect Terminal Type: **Receptacle**

Wire Size: .51 – 1.31 mm²

Mating Tab Width: 2.8 mm [.11 in]

Mating Tab Thickness: .81 mm [.032 in]

Features

Product Type Features

Terminates To	Wire & Cable
Wire Stop	No
Wire/Cable Type	Regular Wire
Insertion Force	Normal
Sealable	No

Configuration Features

Connection Capacity	Single
---------------------	--------

Contact Features

Quick Disconnect Terminal Type	Receptacle
Mating Tab Width	2.8 mm [.11 in]
Mating Tab Thickness	.81 mm [.032 in]
Terminal Orientation	Straight
Contact Base Material	Brass
Terminal Plating Material	Tin
Crimp Type	F-Crimp



Barrel Type	Open
-------------	------

Mechanical Attachment

Mating Retention Type	Locking Lance
Wire Insulation Support	With

Dimensions

Accepts Wire Insulation Diameter Range	2.01 – 3.1 mm [.079 – .122 in]
Overall Length	15.37 mm [.605 in]
Receptacle Terminal Stock Thickness	.25 mm [.01 in]
Wire Size	.51 – 1.31 mm ²

Usage Conditions

Insulation Option	Uninsulated
Operating Temperature Range	-40 – 110 °C [-40 – 230 °F]

Packaging Features

Packaging Quantity	10000
Packaging Method	Strip/Reel

Product Compliance

[For compliance documentation, visit the product page on TE.com>](#)

EU RoHS Directive 2011/65/EU	Compliant
EU ELV Directive 2000/53/EC	Compliant
China RoHS 2 Directive MIIT Order No 32, 2016	No Restricted Materials Above Threshold
EU REACH Regulation (EC) No. 1907/2006	Current ECHA Candidate List: JUNE 2022 (224) Candidate List Declared Against: JAN 2022 (223) SVHC > Threshold: Not Yet Reviewed
Halogen Content	Low Halogen - Br, Cl, F, I < 900 ppm per homogenous material. Also BFR/CFR/PVC Free
Solder Process Capability	Not applicable for solder process capability

Product Compliance Disclaimer

This information is provided based on reasonable inquiry of our suppliers and represents our current actual knowledge based on the information they provided. This information is subject to change. The part numbers that TE has identified as EU RoHS compliant have a maximum concentration of 0.1% by weight in homogenous materials for lead, hexavalent chromium, mercury, PBB, PBDE, DBP, BBP, DEHP, DIBP, and 0.01% for cadmium, or qualify for an exemption to these

limits as defined in the Annexes of Directive 2011/65/EU (RoHS2). Finished electrical and electronic equipment products will be CE marked as required by Directive 2011/65/EU. Components may not be CE marked. Additionally, the part numbers that TE has identified as EU ELV compliant have a maximum concentration of 0.1% by weight in homogenous materials for lead, hexavalent chromium, and mercury, and 0.01% for cadmium, or qualify for an exemption to these limits as defined in the Annexes of Directive 2000/53/EC (ELV). Regarding the REACH Regulation, the information TE provides on SVHC in articles for this part number is based on the latest European Chemicals Agency (ECHA) 'Guidance on requirements for substances in articles' posted at this URL: <https://echa.europa.eu/guidance-documents/guidance-on-reach>

Compatible Parts



TE Part # 150571-2
FF 110 REC 0.2-0.56MM2 TPBR



TE Part # 160719-3
FASTIN FASTON (FF) TAB 20/16 AWG BR



TE Part # 63509-1
FF 187 REC 20-16AWG TPBR



TE Part # 2-2150458-1
OCEAN_2.0_Applicator-E-070F110O



TE Part # 2-2150458-2
OCEAN_2.0_Applicator-E-070F110OA



TE Part # 2150458-1
OCEAN_2.0_Applicator-E-070F110O



TE Part # 2150458-2
OCEAN_2.0_Applicator-E-070F110OA



TE Part # 7-2150458-1
OCEAN_2.0_Applicator-E-070F110O



TE Part # 7-2150458-2
OCEAN_2.0_Applicator-E-070F110OA



TE Part # 7-2150458-7
OCEAN_2.0_SPARE_PART_KIT-070F110O



TE Part # 737255-5
FF 110 REC 0.5-1.0MM2 TPBR

Also in the Series | FASTIN-FASTON 110



Automotive Housings(1)



Automotive Terminals(4)



Crimp Terminal Housings(34)

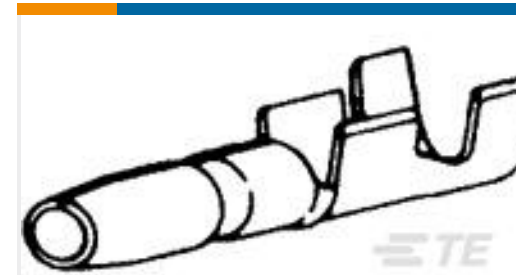


Insertion & Extraction Tools(3)



Quick Disconnects(83)

Customers Also Bought

TE Part #9-965382-2
8POS MQS REC COD ZTE Part #160864-5
2,8 FASTIN-ON RECTE Part #9-520272-2
ULTRA-FAST .110/.125 ASY REC 22-18
TPBRTE Part #60766-1
SHUR PLUG 156 18-14 AWG BRTE Part #640251-4
04P SL156 HSG W/O RAMP NATLTE Part #485893-2
004 HOUSING FFC PIN 100CL SRTE Part #965383-1
MQS SICHERGSCHIEBER 8POSTE Part #520206K014
RT-3-NO.1-0-1INTE Part #1801431-1
RCPT CONT, 8MM NG1+, MAXIFUSE,
2.5-4 MM2TE Part #2-2208018-1
22POS,0.64 MALE GEN. Y,PIN HSG,
ASSY

Documents

Product Drawings

[MINI FASTON 110 REC 20-16 AWG TPBR](#)

English

CAD Files

[3D PDF](#)

3D

[Customer View Model](#)

[ENG_CVM_CVM_150572-2_P_c-150572-2-p.2d_dxf.zip](#)



English

Customer View Model

[ENG_CVM_CVM_150572-2_P_c-150572-2-p.3d_igs.zip](#)

English

Customer View Model

[ENG_CVM_CVM_150572-2_P_c-150572-2-p.3d_stp.zip](#)

English

By downloading the CAD file I accept and agree to the [Terms and Conditions](#) of use.

Datasheets & Catalog Pages

[1654742_HOUSEHOLD_APPLIANCES_RAST5](#)

English