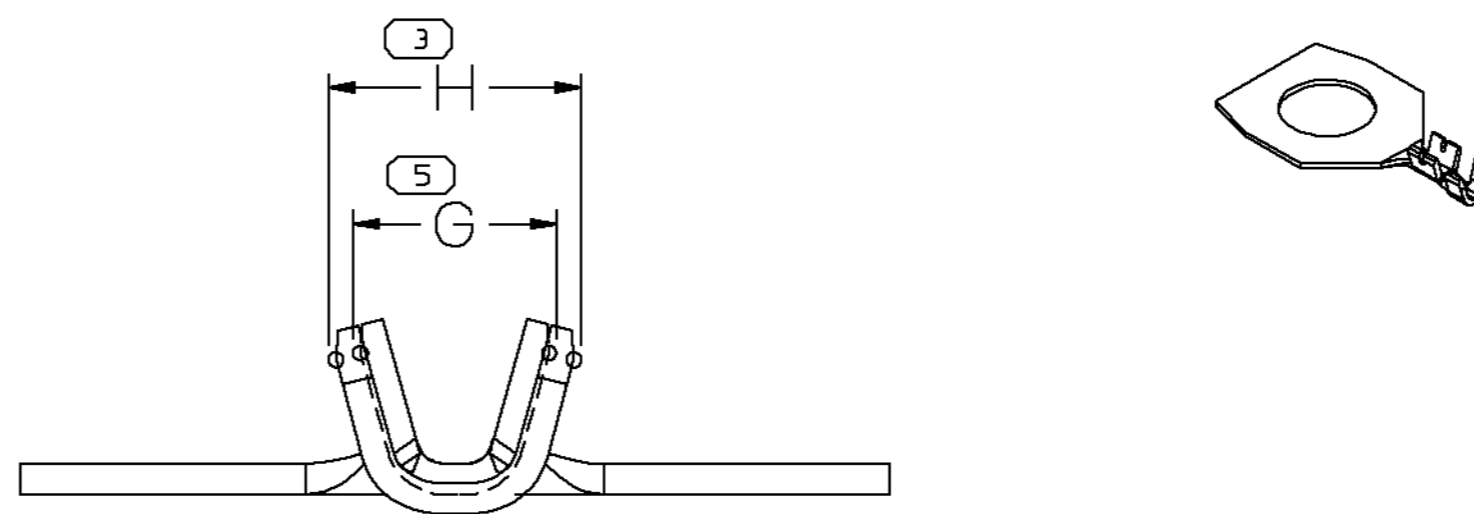
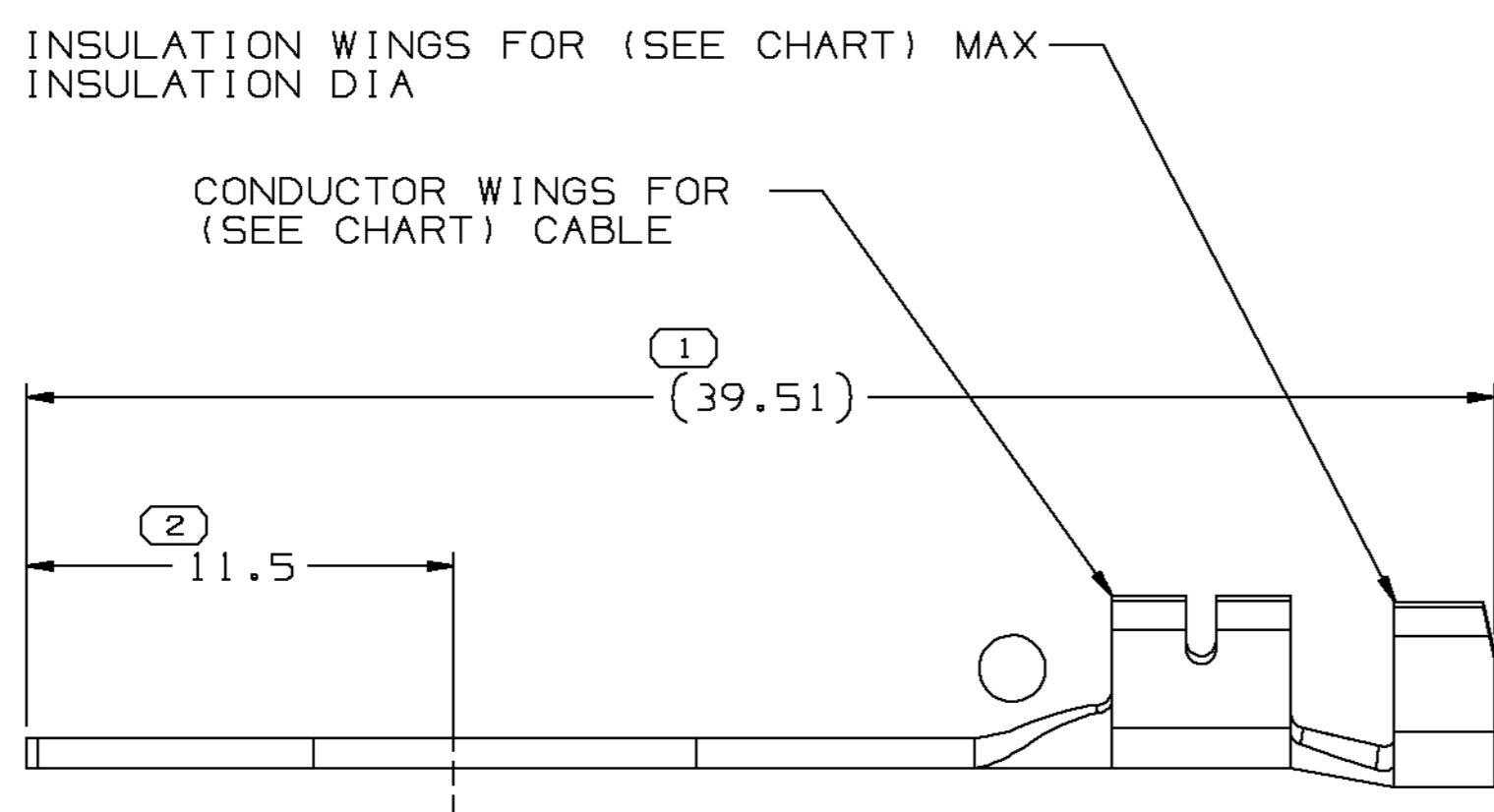
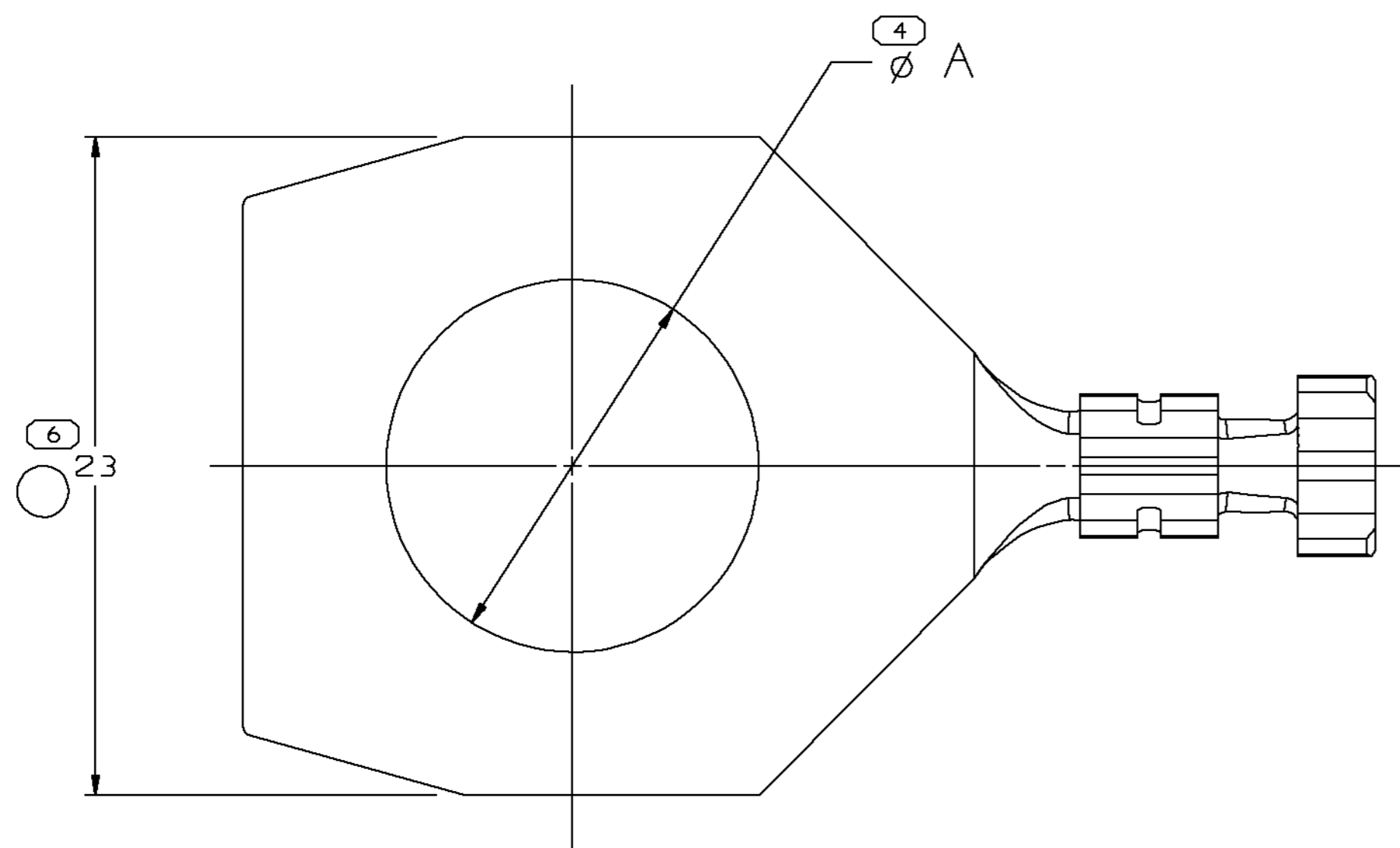


DELPHI PACKARD ELECTRIC SYSTEMS
WARREN, OHIO 44486

SYMBOL DEFINITION		MISSING NUMBERS		DWG STATUS			ZONE	REVISION HISTORY			AUTH	DR	CK	APVD
DATE	STG	REV	CHG	N/P										
16N000	R	001	-	-				15359065 - WAS SEPARATE DWG	204711	APV	FRG	EH		
16N000	R	002	-	-				15402170 - RELEASED	000005	APV	FRG	EH		
29N000	R	003	-	-				ALL PARTS - REVISED TRANSITION AREA, MAT'L SPEC WAS PM001598 964, MAT'L SIZE WAS 0.813 X 66.83 & ADDED DIM (1 PLC)	204943	FRG	FRG	EH		



NOTES

- UNLESS OTHERWISE SPECIFIED AND/OR INDICATED: DIMENSIONS ARE TO FACE OF VIEW SHOWN AND AUTOMATICALLY ROUNDED BY COMPUTER FOR INSPECTION. (SEE MATH MODEL FOR PRECISE DIMENSIONS.) FOR ALL OTHER DIMENSIONS NOT SHOWN BUT REQUIRED FOR TOOL BUILD, SEE MATH MODEL FOR PRECISE TOOL PATH DATA.
- VISIBLE CRACKS ARE NOT PERMISSIBLE.

DELPHI Automotive Systems		DISTR CODE	
MATERIAL SPEC SEE CHART		DIMENSIONAL RANGE (MM) CHART D	
		FROM	TO
		0	> 12
		TOLERANCE UNLESS OTHERWISE SPECIFIED	
		+0.1	+0.2
		ANGULAR TOLERANCE ± 2°	
PART DRAWING			
CODE NUMBER 6900	DWG DATE 16N000	SCALE 5:1	D
QC SPEC	STYLE	VOLUME cm ³	
PART GEOMETRY 3D SOLID	UNLESS OTHERWISE SPECIFIED: THIS DOCUMENT IS IN ACCORDANCE WITH ASME Y14.5M - 1994 AS AMENDED BY THE GM GLOBAL DIMENSIONING AND TOLERANCING ADDENDUM - 1997. ALL GEOMETRIC TOLERANCES AND RELATED DATUMS APPLY RFS. RULE #1 (PERFECT FORM AT MMC) DOES NOT APPLY WHEN RELATIONSHIP BETWEEN FEATURES IS ESTABLISHED BY ORIENTATION OR LOCATION TOLERANCES. SEPARATE POSITION CALLOUTS MAY BE GAGED SEPARATELY REGARDLESS OF DATUM REFERENCES.		
UG CHANGE RESTRICTED NO MANUAL CHANGES	REFERENCE 001,701	DR	DATE
	APVD1 A. PALOMINO		16N000
COPY OF MATH DATA DO NOT SCALE	APVD2 FCO. RESENDIZ		23N000
	APVD3 ERIC HAROLDSON		29N000
	APVD4		
METRIC UNLESS OTHERWISE SPECIFIED, ALL DIMENSIONS ARE IN MILLIMETERS			
THIRD ANGLE PROJECTION	DRAWING NAME TAXI TERM RING STRGHT		
SHEET NUMBER 1 OF 1	DRAWING NUMBER 15404846	DWG STATUS R 003 -	SIZE A1

PART NO	REV	N/P	STATUS	MAT'L SIZE	MATERIAL SPECIFICATION	SIZE (MM ²)	ID	DIA	A	G	H
15402170	002	-		0.813 X 45.85	PM001598 750 210 GILDING EX SPR SN PLTD	5	10	4.5	13	5.6	7.7
15359065	002	-		0.813 X 45.85	PM001598 750 210 GILDING EX SPR SN PLTD	3 - 2	13	3.7	13	5	6.3

5 PROCESS SENSITIVE DIMENSION
DIMENSIONS ENCLOSED IN () INDICATE REFERENCE DIMENSIONS AND NO TOLERANCE LIMITS ARE ESTABLISHED