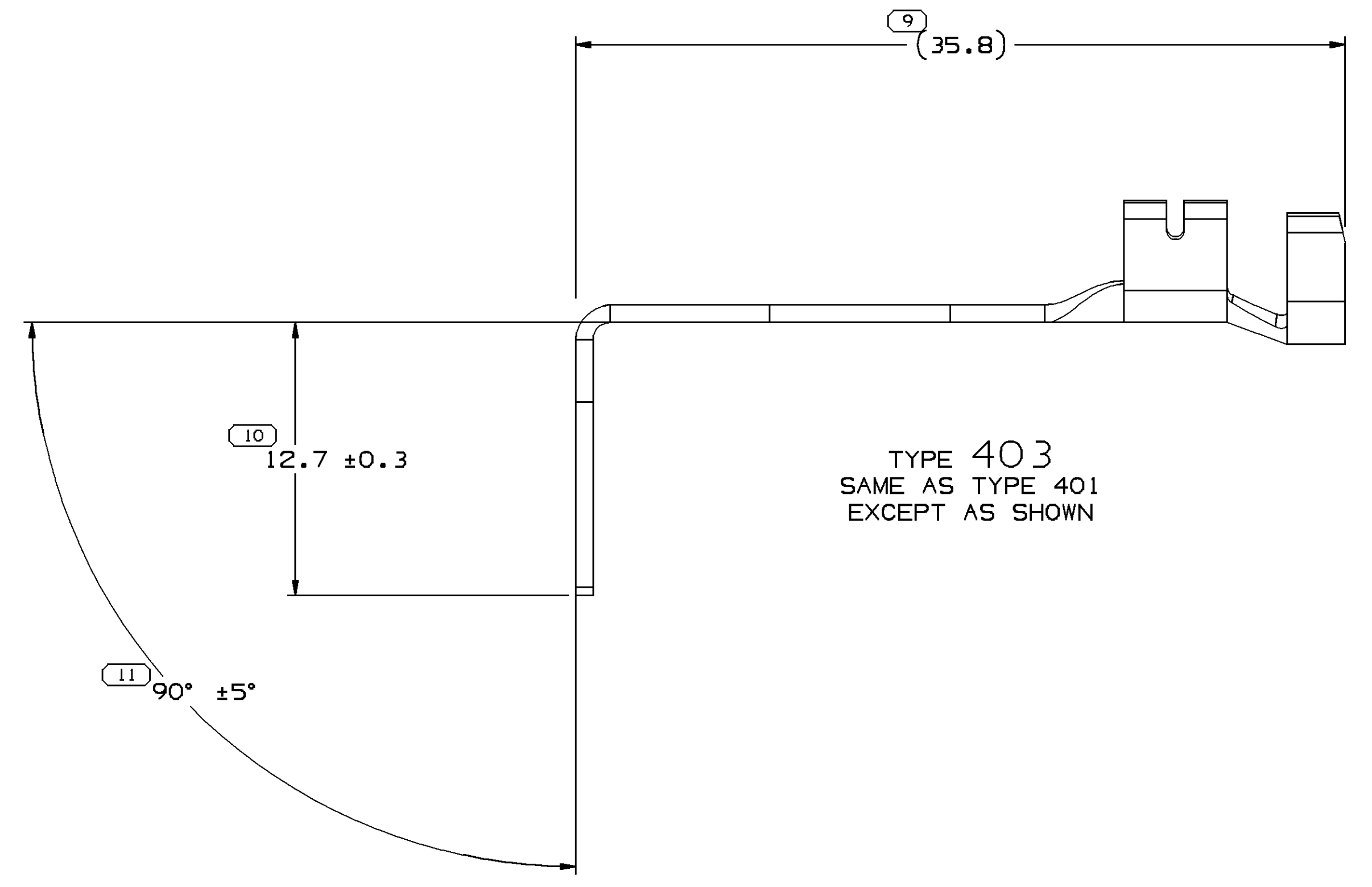
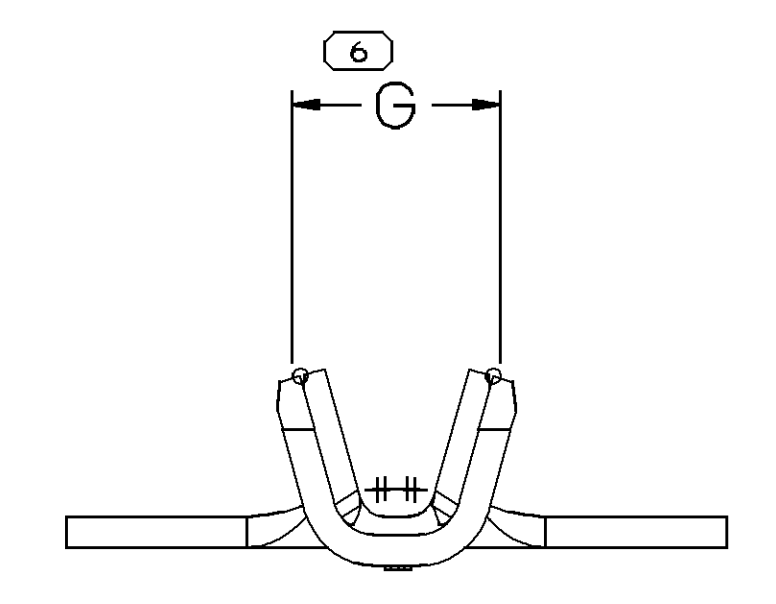
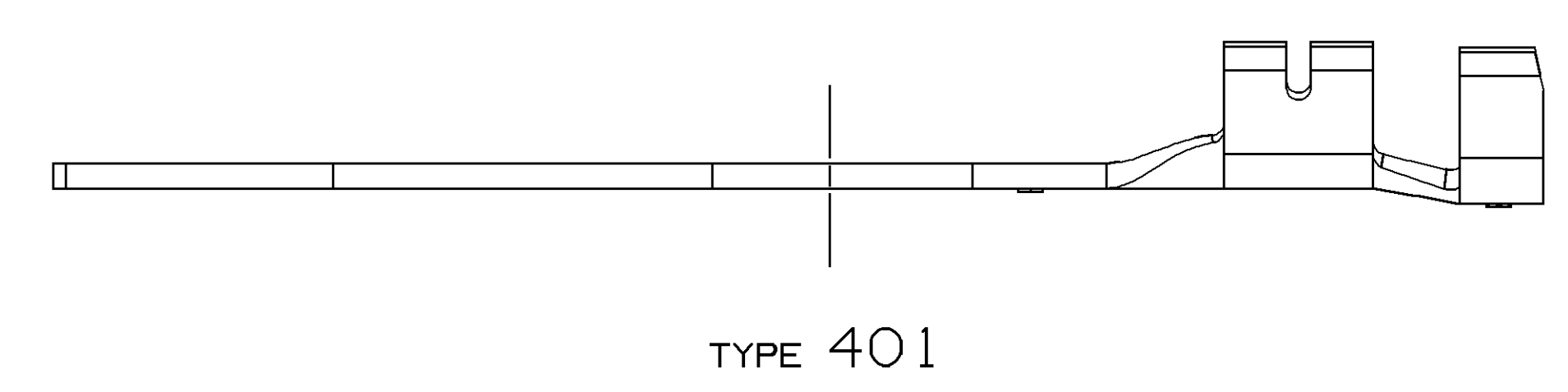
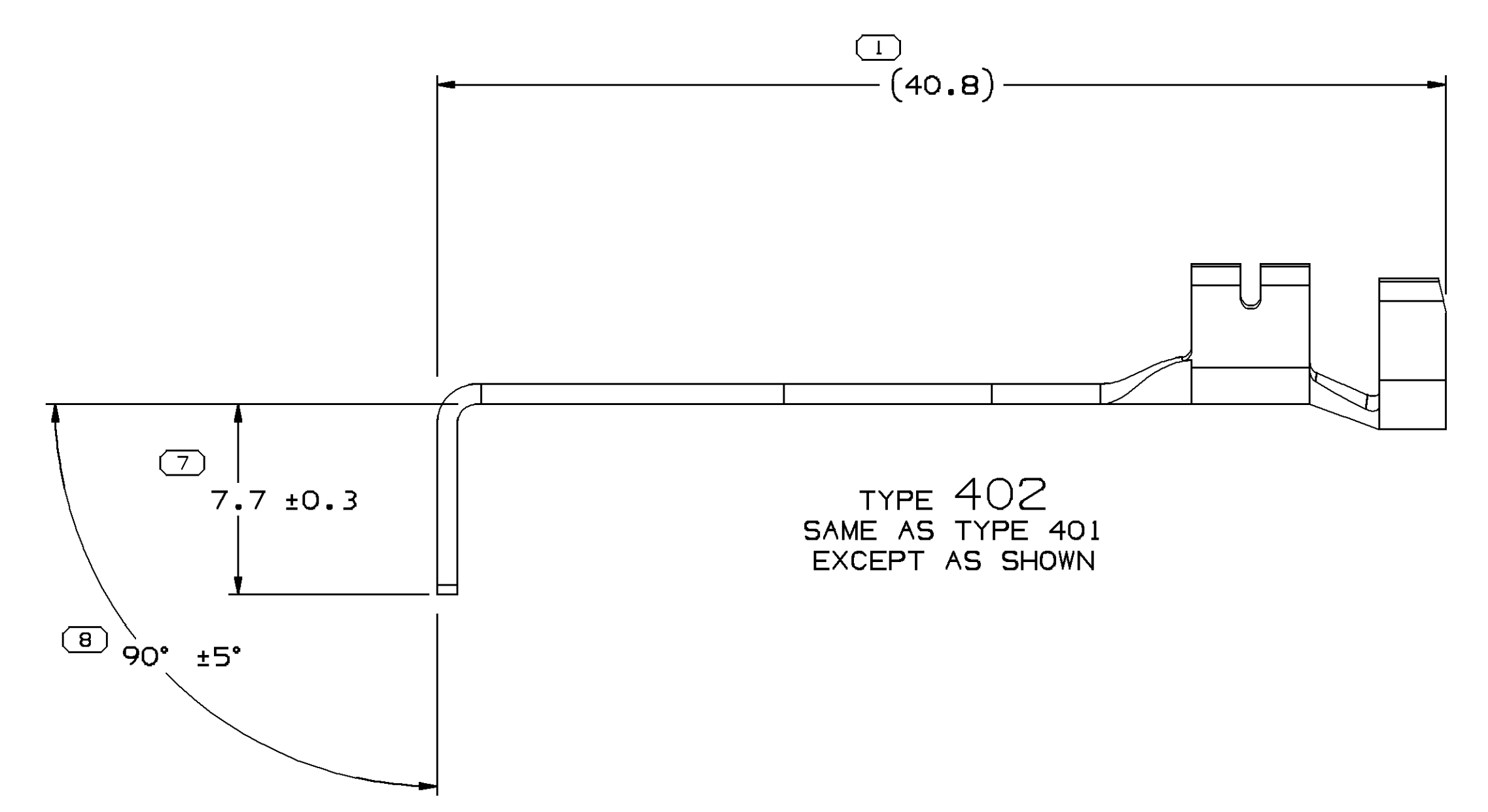
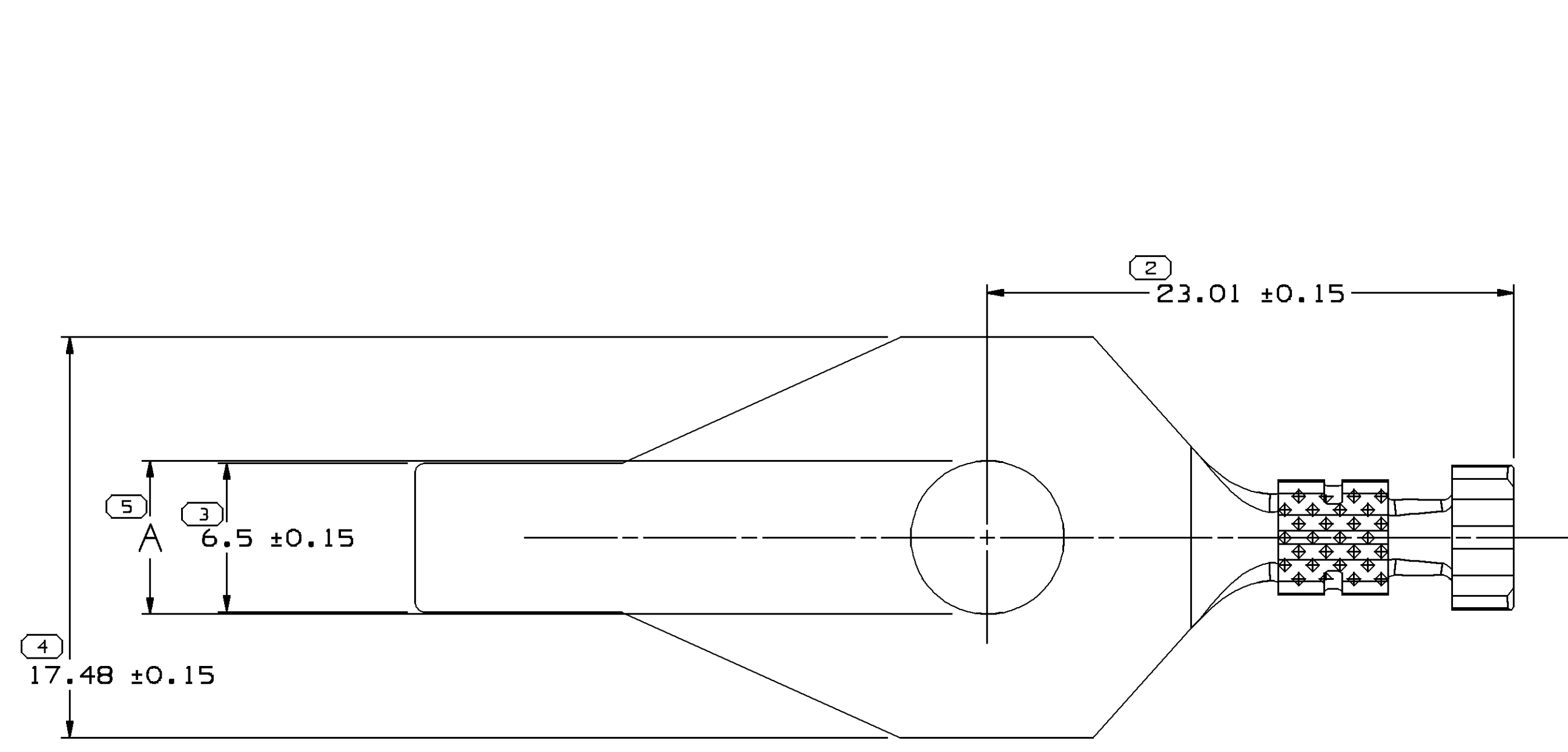


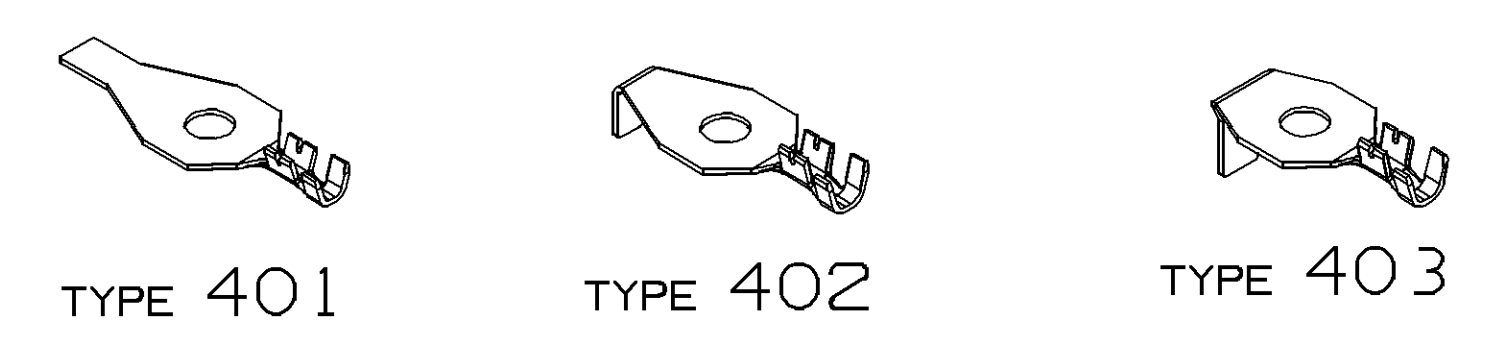
SYMBOL DEFINITION		MISSING NUMBERS	
A DIMENSION WITHOUT AN INSPECTION REPORT SYMBOL () DOES NOT REQUIRE INSPECTION. IT MAY BE CONTROLLED ON AN INDIVIDUAL COMPONENT DRAWING.	TOTAL NO. OF SYMBOLS ON DRAWING	11	
	LAST NO. USED	11	

DWG STATUS				REVISION HISTORY				AUTH		DR		APVD	
DATE	STG	REV	N/P	CHG	ZONE								
16FE99	R	001	-	-		CLEARED REV COLUMN: ALL PARTS - REDRAWN TO PDI 15366093 & 15366094	RELEASED	990005	AAS	JHV	EH		
01JL99	R	002	-	-		15355521 & 15355522	RELEASED	990005	MM	MM	EH		
01JL99	R	003	-	-		15366093 & 15366094	REVISED TRANSITION	195156	MM	MM	EH		
01JL99	R	004	-	-		15354753-58, 15317690, 15326149, 15326158, 15326567-68, 15326570, 15355130, & 15355138	REVISED TRANSITION	195157	MM	MM	EH		
01JL99	R	005	-	-		15326150 & 15354752	OBSOLETE	990003	MM	MM	EH		
090C99	R	006	-	-		15326150	MAT'L SPEC WAS 14354757	196702	FRG	FRV	EH		
090C99	R	007	-	-		15326150 & 15354752	REINSTATED	990010	FRG	FRV	EH		
25N099	R	008	-	-		15355521 & 15366093	UPDATED PDM ATTRIBUTES	197577	APV	FRV	EH		
24DE99	R	009	-	-		15358895 & 15358896	RELEASED	990005	JLL	RMM	EH		
15MRO0	R	010	-	-		15326150 & 15354752	OBSOLETE	000003	AAS	JVM	EH		
02AU00	R	011	-	-		15355522	MAT'L SPEC WAS 15355221	202390	EVV	MVA	EH		
08JAO1	R	012	-	-			ALL ACTIVE PARTS - ADDED TYPE TO CHART	205664	MAC	MAC	AK		
08JAO1	R	013	-	-			15405494	RELEASED	205655	MAC	MAC	AK	
02FE01	R	014	-	-			15406191	RELEASED	206582	ECB	FRG	AK	
02FE01	R	015	-	-			15405494	MAT'L SPEC WAS 15355521	206373	ECB	FRG	AK	
08MRO1	R	016	-	-			15355521 & 15355522 - 6.7 WAS B.5	207390	JLL	JLL	EH		
24OC01	R	017	-	-			ALL ACTIVE PARTS: UPDATED PDM ATTRIBUTES	216271	EES	EES	AK		
20AU02	R	18	-	-			15443842	RELEASED	230300	CJC	CJC	WM	
10OC05	R	19	-	-			13544515	RELEASED	273093	RTV	FRG	TP	
20JAO6	R	20	-	-			UPDATED PDM ATTRIBUTES	276615	BLG	AUG	TP		



PART NO	REV	N/P	STATUS	TYPE	MAT'L SIZE	MAT'L SPEC	SIZE (MM²)	ID	DIA _{to.15}	A _{to.1}	G _{to.3}
13544515	01	AA		403		15354758	8	8	6.35	8.5	-
15443842	01	AA		403		15358895	5	10	4.5	10.6	-
15406191	001	AB		401	0.813 X 48	PM00159B A69 210 GILDING EX SPR SN PLTD	1 - 0.8	17	2.7	10.6	3.6
15405494	002	AB		402		15406191	1 - 0.8	17	2.7	10.6	-
15366094	002	AC		402		15366093	1 - 0.8	17	2.7	8.5	-
15366093	002	AD		401	0.813 X 48	PM00159B A69 210 GILDING EX SPR SN PLTD	1 - 0.8	17	2.7	8.5	3.6
15358896	001	AC		402		15358895	5	10	4.5	10.6	-
15358895	001	AC		401	0.813 X 48	PM00159B A69 210 GILDING EX SPR SN PLTD	5	10	4.5	10.6	5.6
15355522	001	AE		402		15355521	1 - 0.8	17	2.7	6.7	-
15355521	001	AE		401	0.813 X 48	PM00159B A69 210 GILDING EX SPR SN PLTD	1 - 0.8	17	2.7	6.7	3.6
15355138	A5	-		401	0.813 X 48	PM00159B A69 210 GILDING EX SPR SN PLTD	3 - 2	13	3.7	10.6	5
15355130	A5	-		402		15355138	3 - 2	13	3.7	10.6	-
15354758	B6	-		401	0.813 X 48	PM00159B A69 210 GILDING EX SPR SN PLTD	8	8	6.35	8.5	7.1
15354757	B6	-		401	0.813 X 48	PM00159B A69 210 GILDING EX SPR SN PLTD	5	10	4.5	8.5	5.6
15354756	B6	-		401	0.813 X 48	PM00159B A69 210 GILDING EX SPR SN PLTD	3 - 2	13	3.7	8.5	5
15354755	B6	-		401	0.813 X 48	PM00159B A69 210 GILDING EX SPR SN PLTD	8	8	6.35	6.7	7.1
15354754	B6	-		401	0.813 X 48	PM00159B A69 210 GILDING EX SPR SN PLTD	5	10	4.5	6.7	5.6
15354753	B6	-		401	0.813 X 48	PM00159B A69 210 GILDING EX SPR SN PLTD	3 - 2	13	3.7	6.7	5
15354752	B5	-	OBSOLETE	401	0.813 X 48	PM00159B A69 210 GILDING EX SPR SN PLTD	1 - 0.8	17	2.7	6.7	3.6
15326570	B6	-		402		15354757	5	10	4.5	8.5	-
15326568	B5	-		402		15354756	3 - 2	13	3.7	8.5	-
15326567	B5	-		402		15354758	8	8	6.35	8.5	-
15326158	B5	-		402		15354753	3 - 2	13	3.7	6.7	-
15326149	B5	-	OBSOLETE	401	0.813 X 48	PM00159B A69 210 GILDING EX SPR SN PLTD	1 - 0.8	17	2.7	6.7	-
15317690	B5	-		402		15354755	8	8	6.35	6.7	-
						15354754	5	10	4.5	6.7	-

NOTES
1. UNLESS OTHERWISE SPECIFIED AND/OR INDICATED:
DIMENSIONS ARE TO FACE OF VIEW SHOWN AND AUTOMATICALLY ROUNDED BY COMPUTER FOR INSPECTION. (SEE MATH MODEL FOR PRECISE DIMENSIONS.) FOR ALL OTHER DIMENSIONS NOT SHOWN BUT REQUIRED FOR TOOL BUILD, SEE MATH MODEL FOR PRECISE TOOL PATH DATA.



UNLESS OTHERWISE SPECIFIED	SCREW STANDARD	SCREW SIZE
6.7 ±0.1	M6	1/4
8.5 ±0.1	M8	5/16
10.6 ±0.1	M10	3/8

"A" DIA. METRIC STANDARD SCREW SIZE

DELPHI
DELPHI PACKARD ELECTRIC SYSTEMS
WVREN, OH

DR	DATE
APVD1 R. GUERRERO	03FE98
APVD2 A. GALDE G	16FE98
APVD3 R. LAIRD	03MR98
APVD4	
APVD5	

SUBSTANCES OF CONCERN AND RECYCLED CONTENT PER DELPHI 10949001

DRAWING NAME: TAXI TERM RING

DRAWING NUMBER: 12103500

SIZE: A0 SCALE: 5:1 FRAME NO: 1 OF 1 SHEET NO: 4 OF 4 REV: N/P DATE: 20