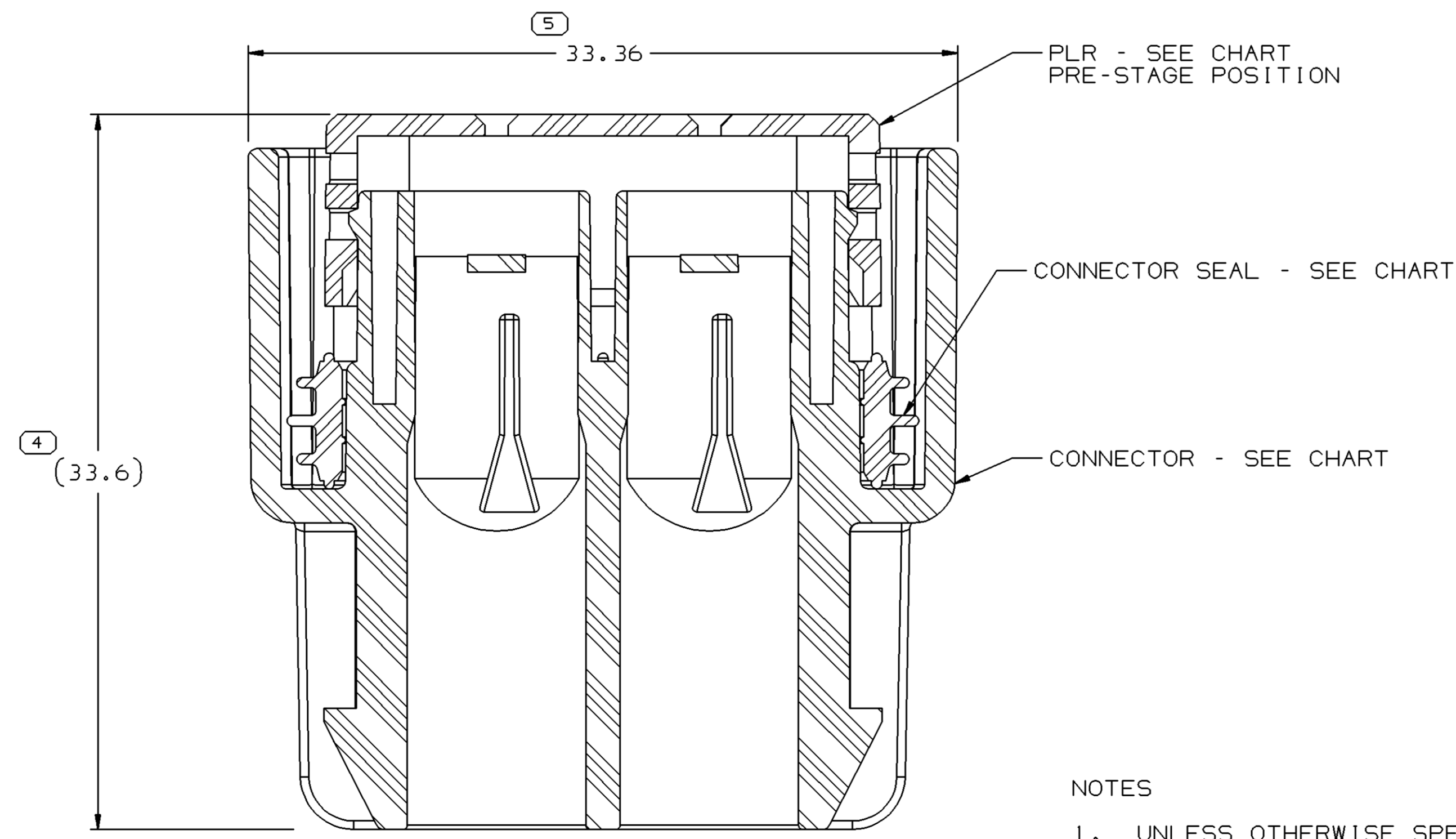
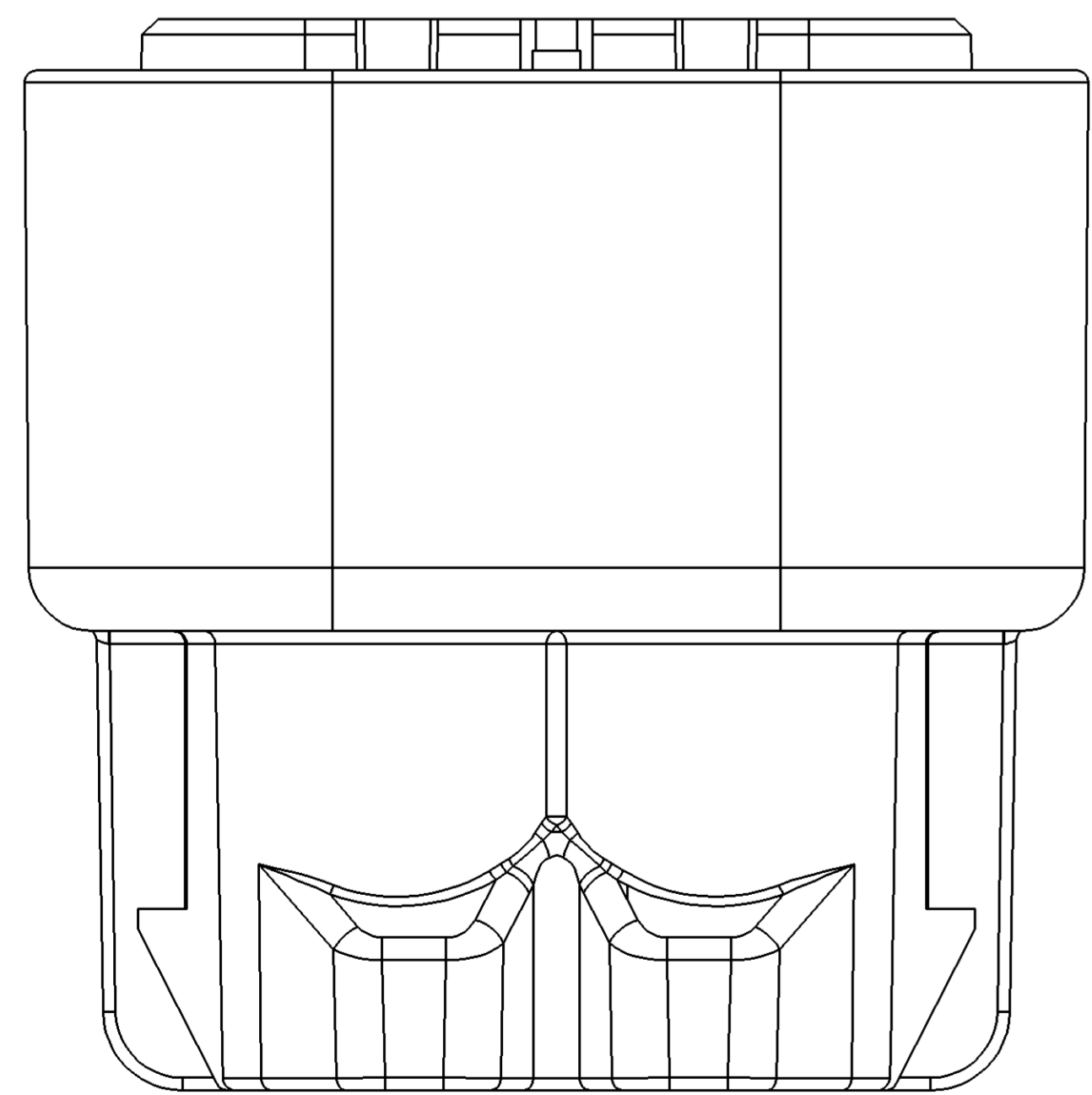
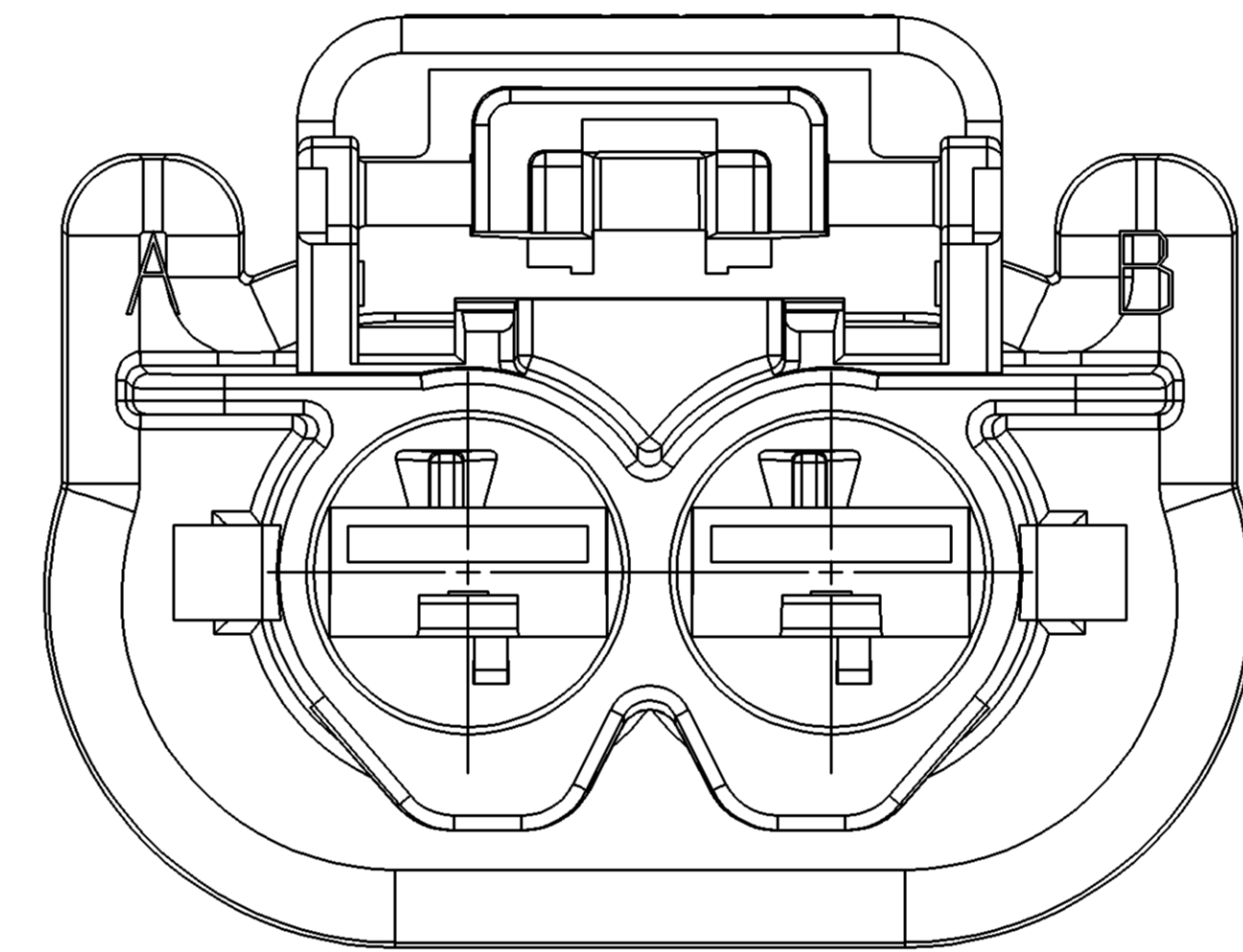
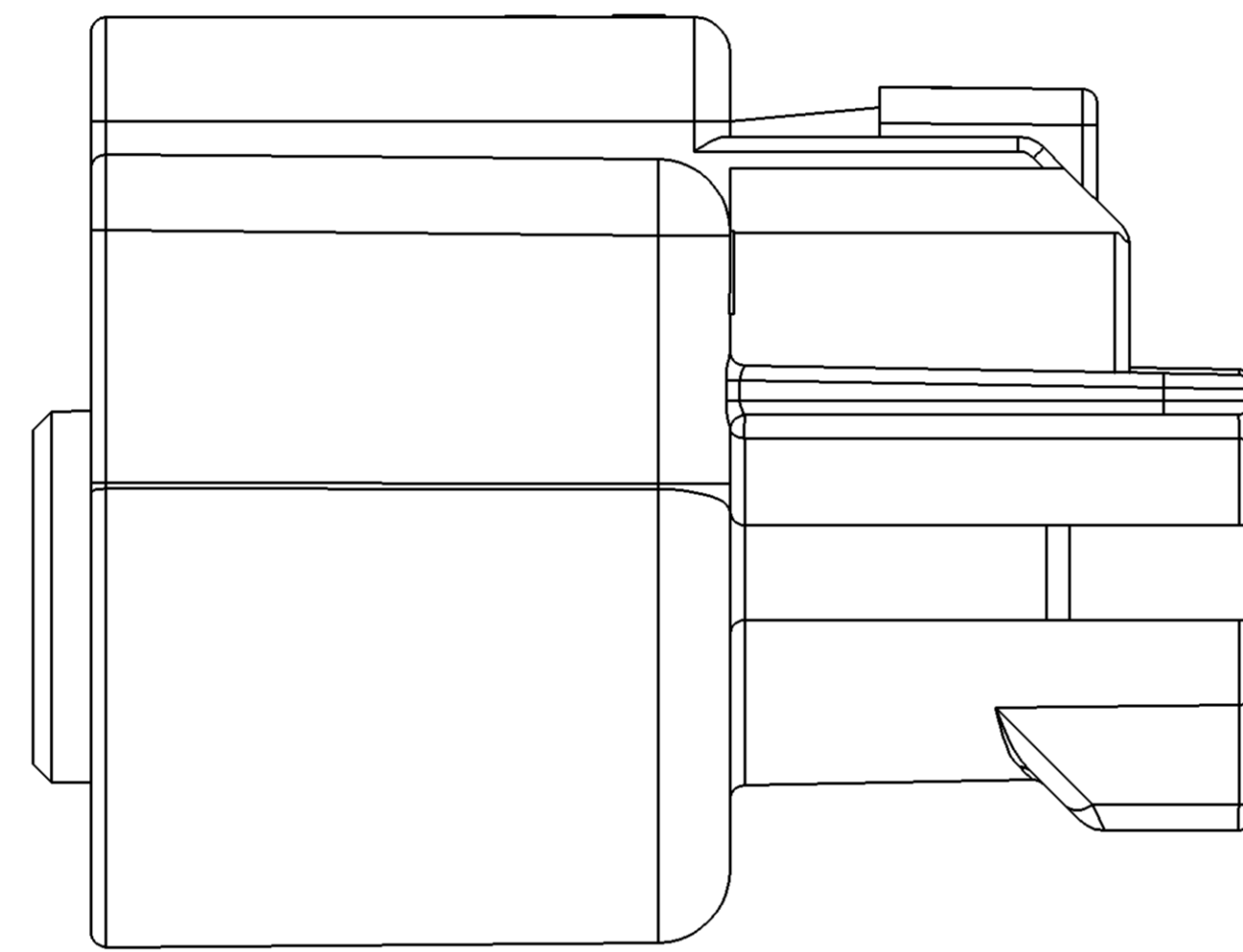
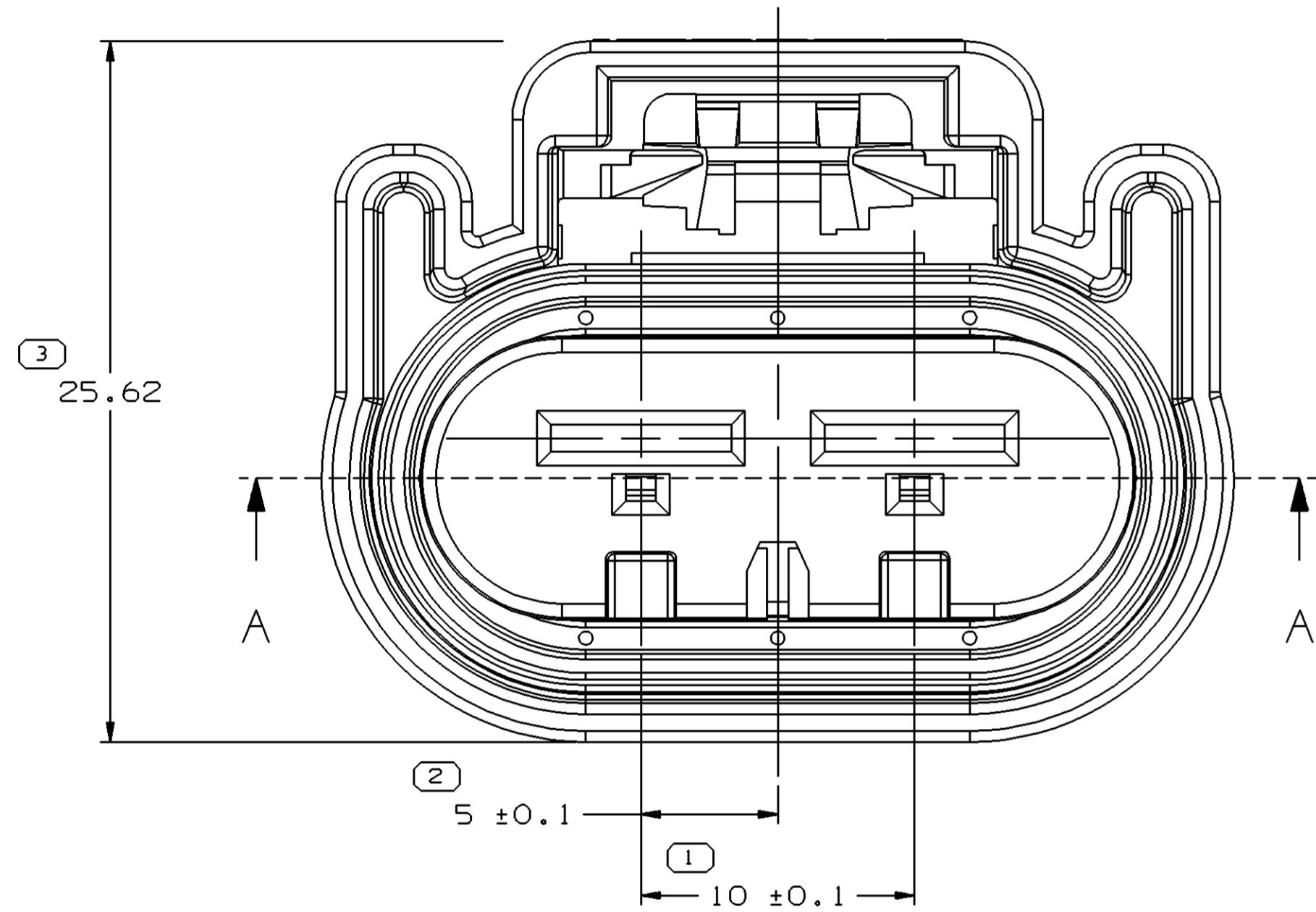
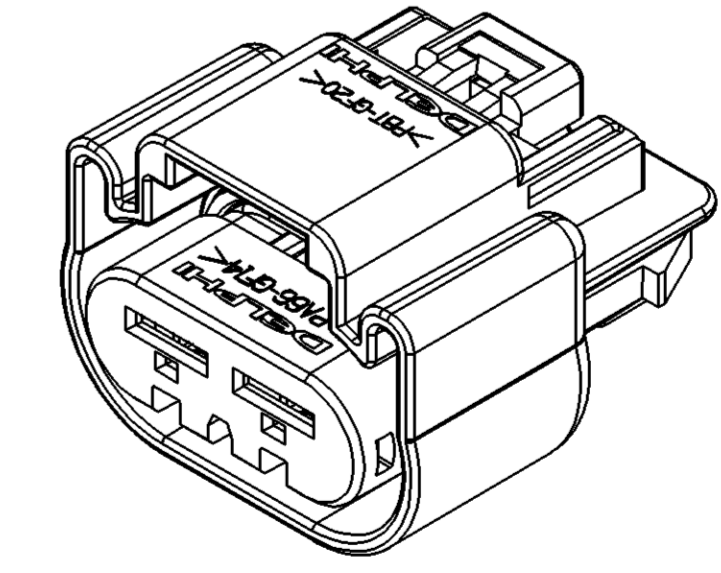


SYMBOL DEFINITION		MISSING SYMBOLS	
A DIMENSION WITHOUT AN INSPECTION REPORT SYMBOL DOES NOT REQUIRE INSPECTION. IT MAY BE CONTROLLED ON THE INDIVIDUAL COMPONENT DRAWING.	TOTAL NO OF INSPECTIONS REQUIRED	NO MISSING SYMBOL NUMBER	
	5		
	LAST NO. USED		
	5		

DWO STATUS					REVISION HISTORY			AUTH	DR	APVD
DATE	STG	REV	N/P	CHG	ZONE					
31.JAO3	R	01	-	-		PART DRAWING CREATED	236432	LMB	LMB	EJH
25.JUL03	R	02	-	-		UPDATED ASSEMBLY	243926	FRO	FRO	EJH
02.JNO5	R	02	AA	-		ADDED NOTES 3 & 4	268709	DAD	DAD	GER



SECTION A - A



NOTES

- UNLESS OTHERWISE SPECIFIED AND/OR INDICATED:
DIMENSIONS ARE TO FACE OF VIEW SHOWN AND AUTOMATICALLY ROUNDED BY COMPUTER FOR INSPECTION (SEE MATH MODEL FOR PRECISE DIMENSIONS). FOR ALL OTHER DIMENSIONS NOT SHOWN BUT REQUIRED FOR TOOL BUILD, SEE MATH MODEL FOR PRECISE TOOL PATH DATA.
- FOR MATING CONFIGURATION REQUIREMENTS SEE DRAWING 15460099.
- CONNECTOR ENGAGE FORCE GREATER THAN 75N.
- THIS PART ACCEPTS THE FOLLOWING COMPONENTS OR EQUIVALENT:
TERMINAL 15455571
SECONDARY LOCK 15454362

PART NO	CONN	PLR	SEAL
15454358	15454359	15454361	15454360

DIMENSIONAL RANGE (MM)		CHART ET	
FROM	TO	>	>
0	20	70	100
20	30	100	150
30	70	150	200
70	100	200	250
100	150	250	300
150	200	300	400

DWO TYPE		PART DRAWING	
STYLE		DISTR CODE	D
VOLUME (CM ³)			

UNLESS OTHERWISE SPECIFIED
THIS DOCUMENT IS IN ACCORDANCE WITH ASME Y14.5M-1994 AS AMENDED BY THE 2003 DIMENSIONING AND TOLERANCING ADDENDUM - 1997. ALL GEOMETRIC TOLERANCES AND RELATED DATUM APPL. RULE #1 (PERFECT FORM) UNLESS OTHERWISE SPECIFIED.
MMC DOES NOT APPLY WHEN RELATIONSHIP BETWEEN FEATURES IS ESTABLISHED BY ORIENTATION OR LOCATION TOLERANCES. SEPARATE POSITION TOLERANCES MAY BE GAGED SEPARATELY, REGARDLESS OF DATUM REFERENCE.
ALL DIMENSIONS ARE IN MILLIMETERS.

REFERENCE	THIRD ANGLE PROJECTION	DO NOT SCALE	USE MATH DATA

DELPHI
DELPHI PACKARD ELECTRIC SYSTEMS
WARREN, OH

DR	DATE
DR LOUIS M. BASKIN	31.JAO3
APVD1 LOUIS M. BASKIN	31.JAO3
APVD2 LOUIS M. BASKIN	31.JAO3
APVD3 ERIC J. HAROLDSON	07.FEO3
APVD4	
APVD5	

SUBSTANCES OF CONCERN AND RECYCLED CONTENT PER DELPHI 10949001

MATERIAL SEC. DRAWING

DRAWING NAME
ASM CONN 2 F GT 630 BLK SLD

DRAWING NUMBER
15454358

SIZE A0 SCALE 5:1 FRAME NO 1 OF 1 SHEET NO 1 OF 1 STG REV N/P R 02 AA