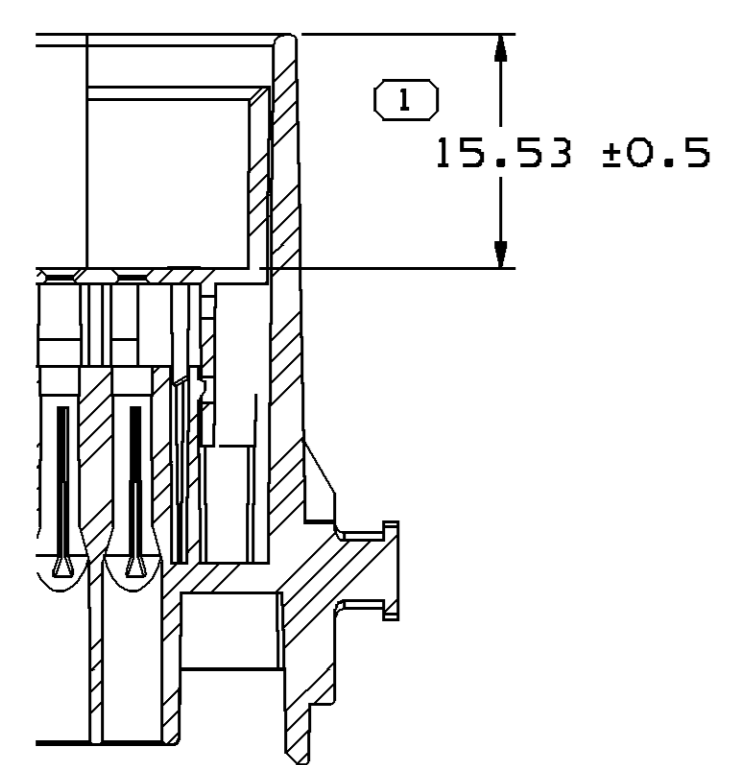
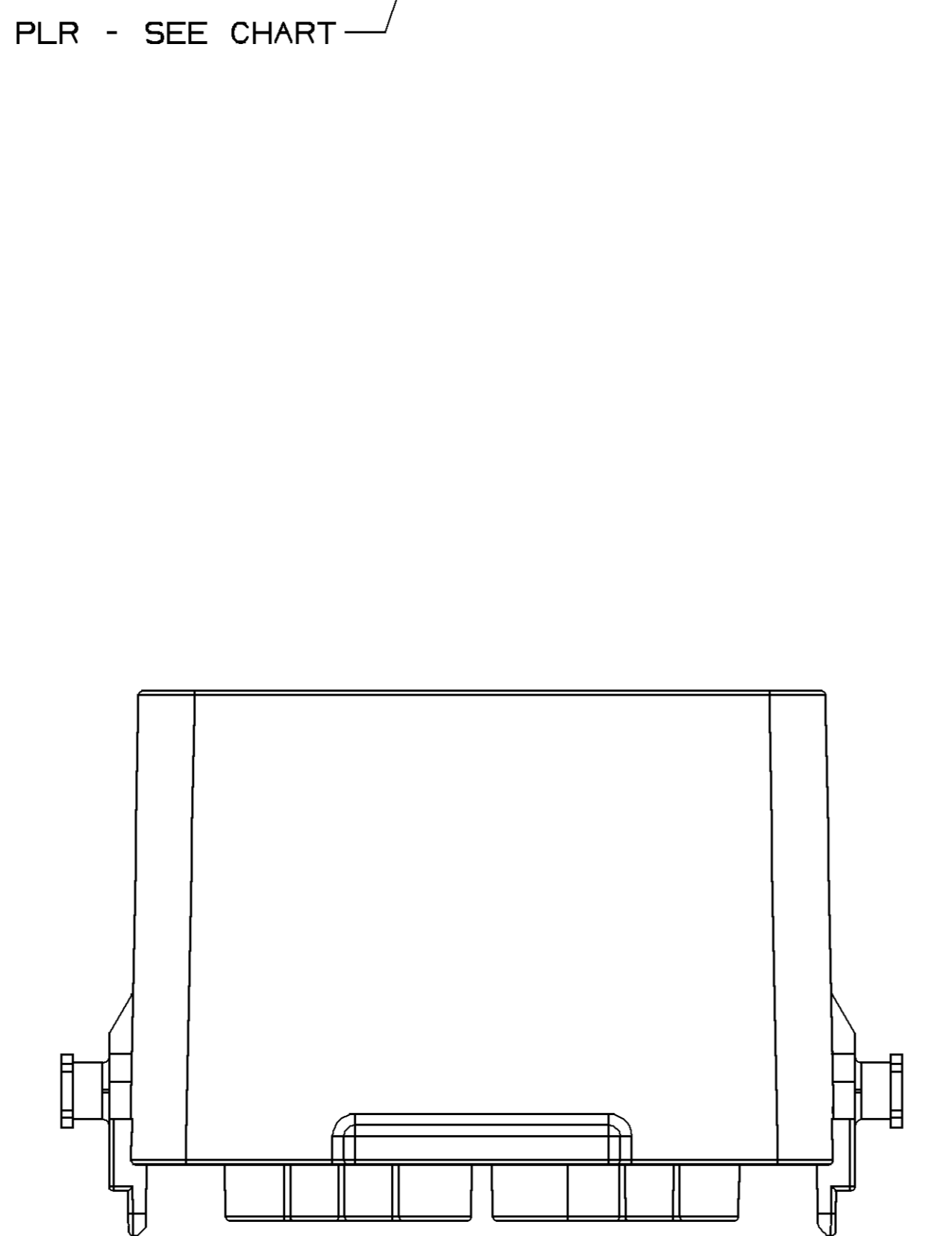
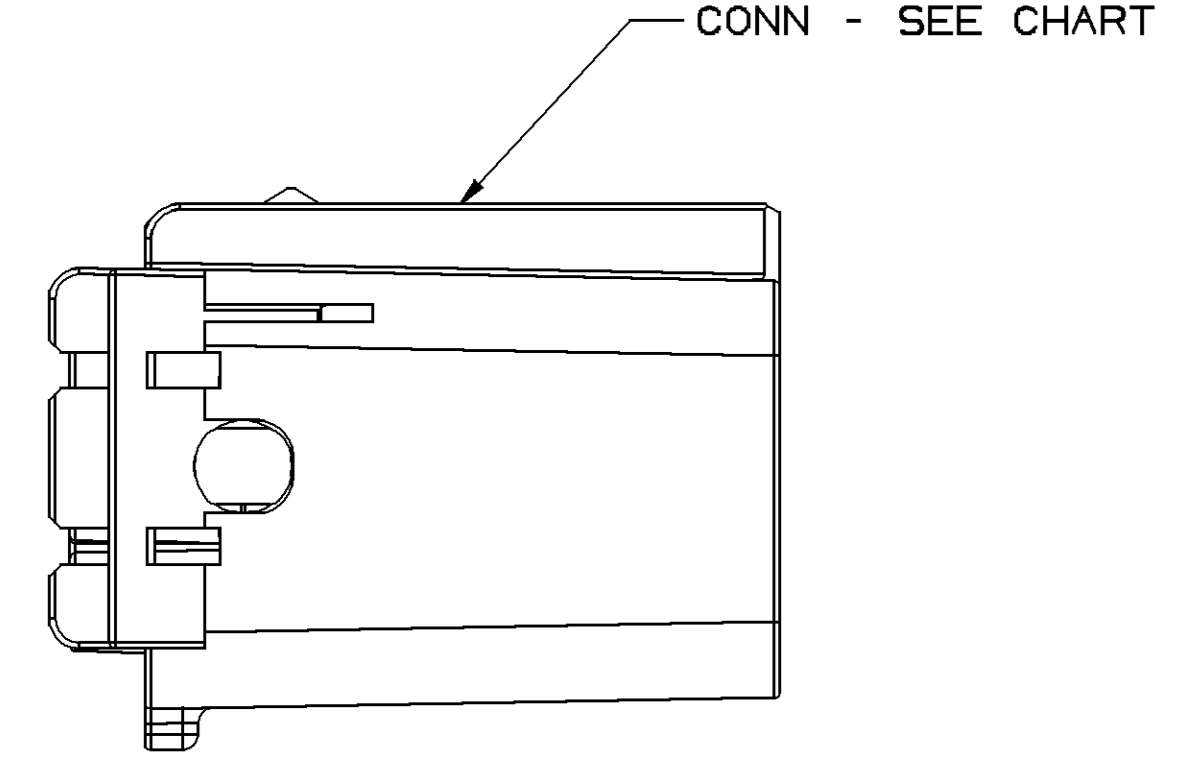
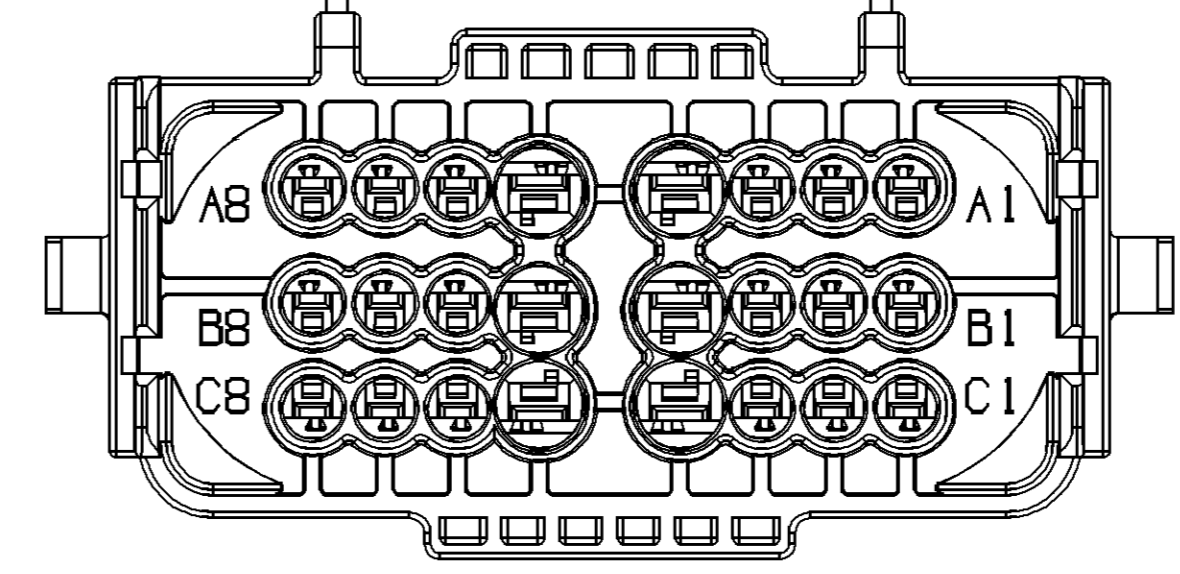
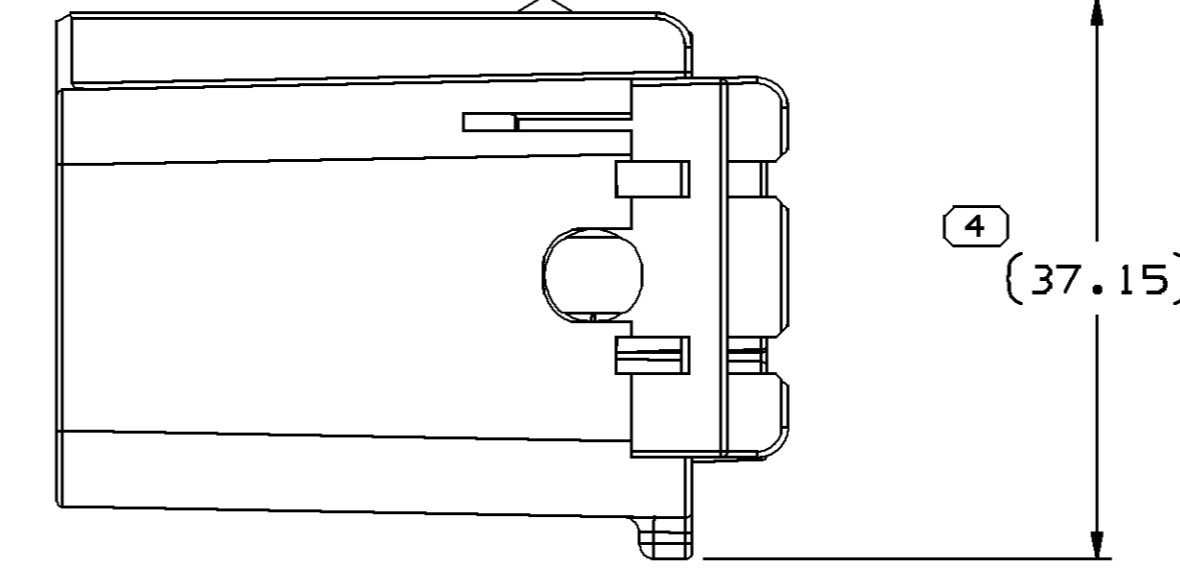
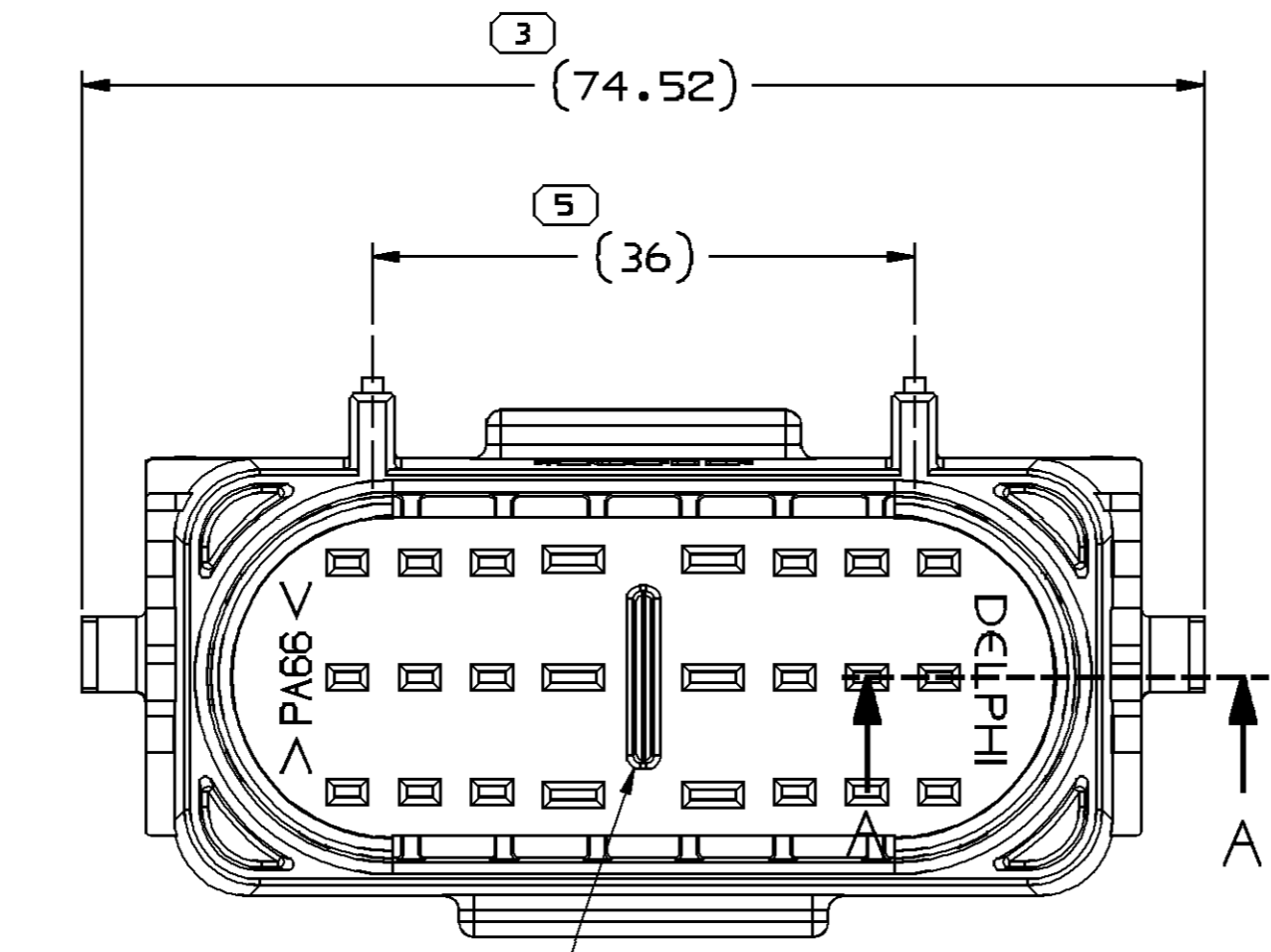
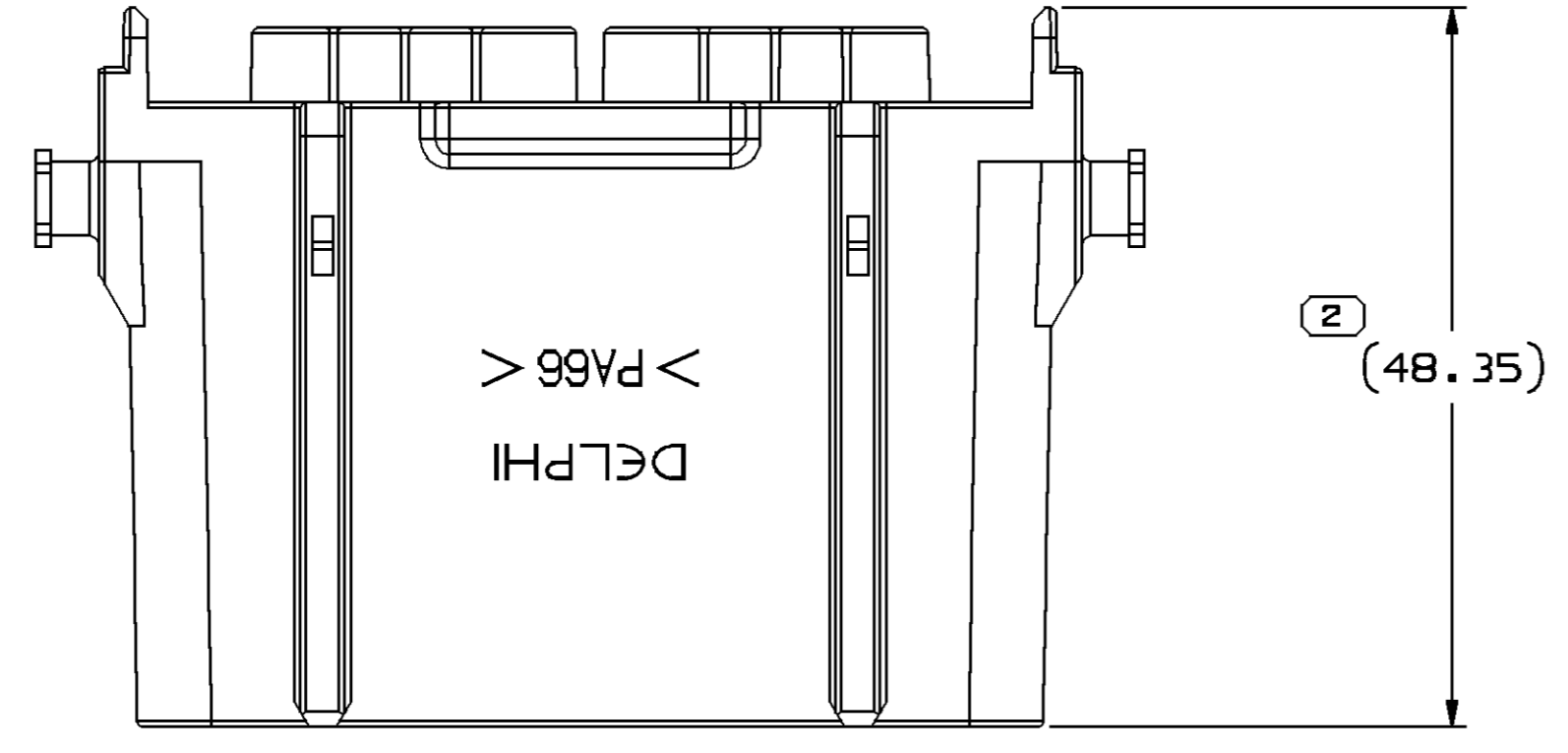
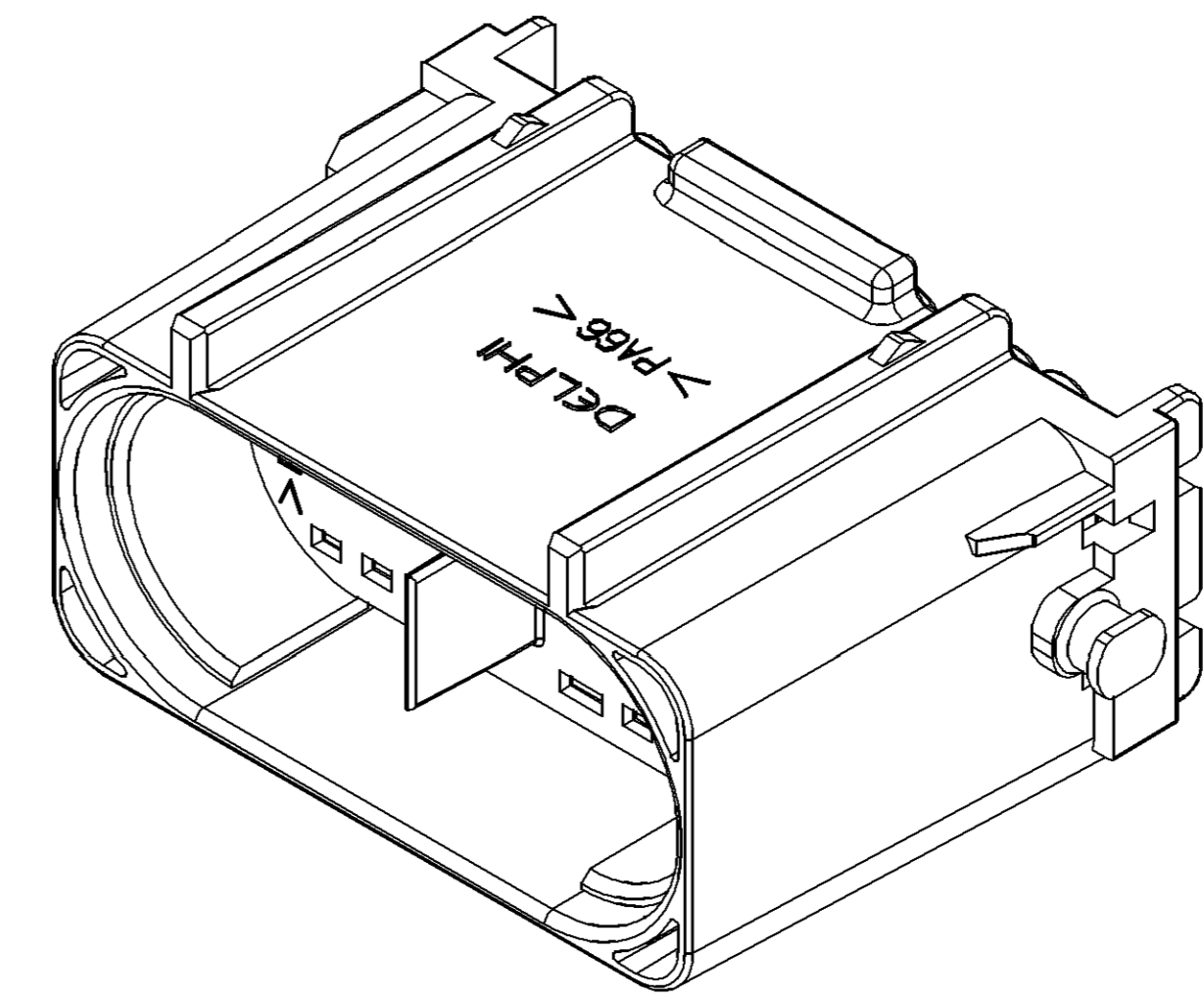


SYMBOL DEFINITION				MISSING SYMBOLS		DWG STATUS		REVISION HISTORY		AUTH		DR		AP/VD	
A DIMENSION WITHOUT AN INSPECTION REPORT SYMBOL DOES NOT REQUIRE INSPECTION. IT MAY BE CONTROLLED ON THE INDIVIDUAL COMPONENT DRAWING.				TOTAL NO OF INSPECTIONS REQUIRED	NO MISSING SYMBOL NUMBER	DATE	STG	REV	N/P	CHG	ZONE	DATE	BY	CHK	APP
				5		140C02	R	01	-	-		231901	CJC	CJC	MP
						06JA03	R	01	AA	-		234535	J5	J5	MP
						16MR05	R	02	-	-		265395	LMB	LMB	MP
						10AU06	R	02	AA	-		283468	TLD	TLD	MP



SECTION A-A
DIMENSION #1 LOCATES
PLR IN PRE-STAGE POSITION

- NOTES
- UNLESS OTHERWISE SPECIFIED AND/OR INDICATED: DIMENSIONS ARE TO FACE OF VIEW SHOWN AND AUTOMATICALLY ROUNDED BY COMPUTER FOR INSPECTION (SEE MATH MODEL FOR PRECISE DIMENSIONS). FOR ALL OTHER DIMENSIONS NOT SHOWN BUT REQUIRED FOR TOOL BUILD, SEE MATH MODEL FOR PRECISE TOOL PATH DATA.
 - MATING COMPONENTS OR EQUIVALENT: CONNECTOR 15366099
 - THIS PART ACCEPTS THE FOLLOWING COMPONENTS OR EQUIVALENT: CAVITIES A1, A2, A3, A6, A7, A8, B1, B2, B3, B6, B7, B8, C1, C2, C3, C6 C7 & C8 USE 15304707 TERMINAL CAVITIES A4, A5, B4, B5, C4 & C5 USE 15304731 TERMINAL CABLE SEALS CAVITIES A1, A2, A3, A6, A7, A8, B1, B2, B3, B6, B7, B8, C1, C2, C3, C6 C7 & C8 USE 12191227 (Ø 4 CAVITY) CAVITIES A4, A5, B4, B5, C4 & C5 USE 12191233 (Ø 5.8 CAVITY)
 - TO BE USED WITH APPROPRIATE DELPHI PACKARD ELECTRIC SYSTEMS DESIGNED HOLDERS.
 - TO BE PROCESSED USING DELPHI PACKARD ELECTRIC SYSTEMS BEST PRACTICE METHOD OR CUSTOMER ASSEMBLY INSTRUCTIONS.

15449913	15336173	15373421
PART NO	CONN	PLR

DIMENSIONAL RANGE (MM)		SHORT ET	
FROM	TO	TO	TO
> 0	> 30	> 70	> 100
> 30	> 70	> 100	> 150
> 70	> 100	> 150	> 200
> 100	> 150	> 200	> 250
> 150	> 200	> 250	> 300
> 200	> 250	> 300	> 400
TOLERANCE UNLESS OTHERWISE SPECIFIED		ANGULAR TOLERANCE 2°	
±0.15	±0.2	±0.3	±0.4
±0.5	±0.6	±0.8	±1.0
±1.2	±1.5	±2.0	±2.5

PART DRAWING	
STYLE	D
VOLUME 10/1	DISTR CODE
UNLESS OTHERWISE SPECIFIED	
THIS DOCUMENT IS IN ACCORDANCE WITH ASME Y14.9M-1994 AS MODIFIED BY THE IN CHARGE, DIMENSIONAL AND TOLERANCE ANNOTATION (DTP). ALL DIMENSIONAL TOLERANCES AND RELATED DATUM APPLY HERE. UNLESS OTHERWISE SPECIFIED, ALL DIMENSIONS ARE IN MILLIMETERS. UNLESS OTHERWISE SPECIFIED, ALL DIMENSIONS ARE IN MILLIMETERS.	
THIRD ANGLE PROJECTION	
DO NOT SCALE	USE MATH DATA

DELPHI
DELPHI PACKARD ELECTRIC SYSTEMS
WVREN, OH

DR	DATE
APV01 CRAIG J. COGGINS	140C02
APV02 CRAIG J. COGGINS	170C02
APV03 MATT PENN	180C02
APV04	
SUBSTANCES OF CONCERN AND RECYCLED CONTENT PER DELPHI 10947001	
DRAWING NAME	
ASM CONN 24 M GT 150 280 SLD	
DRAWING NUMBER	
15449913	
SIZE	SCALE
A0	2:1
SHEET NO	FRM NO
1 OF 1	1 OF 1
REV	N/P
R 02	AA