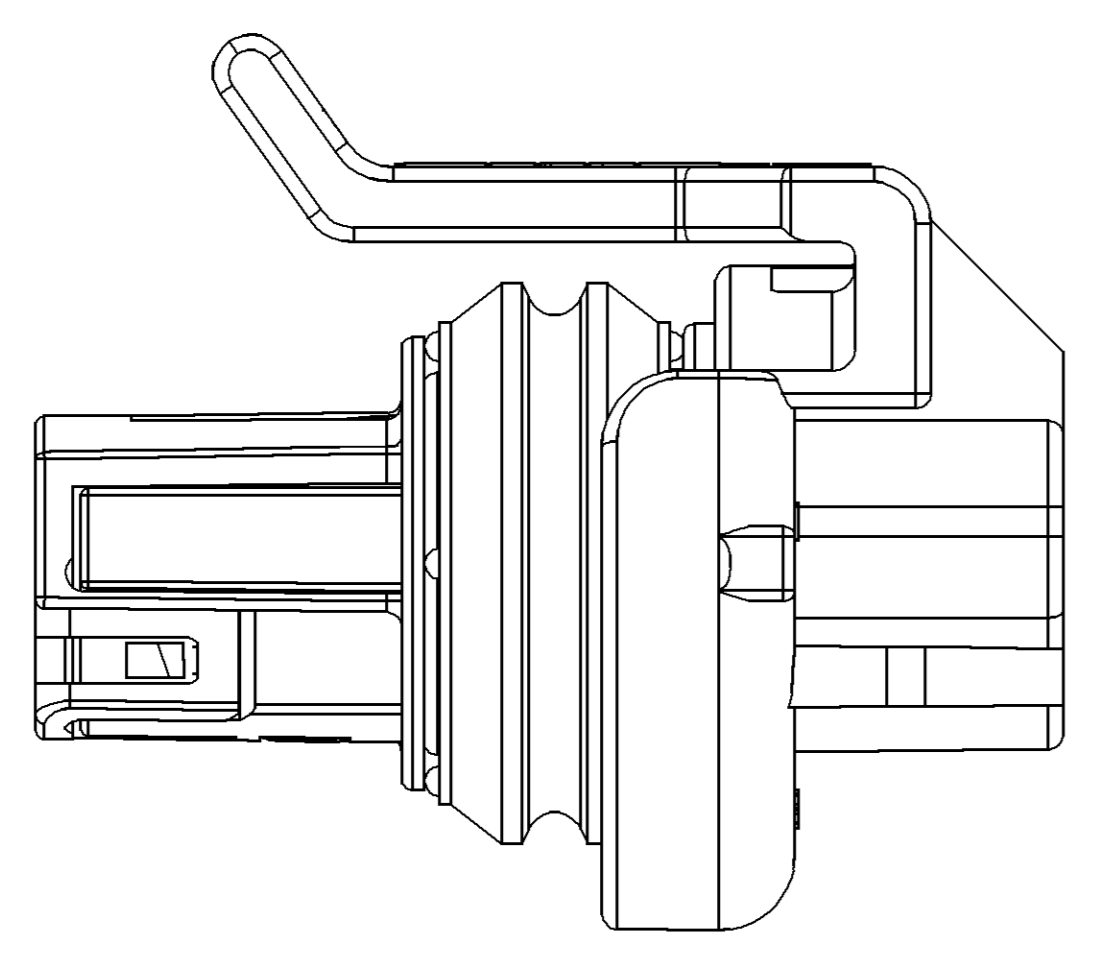
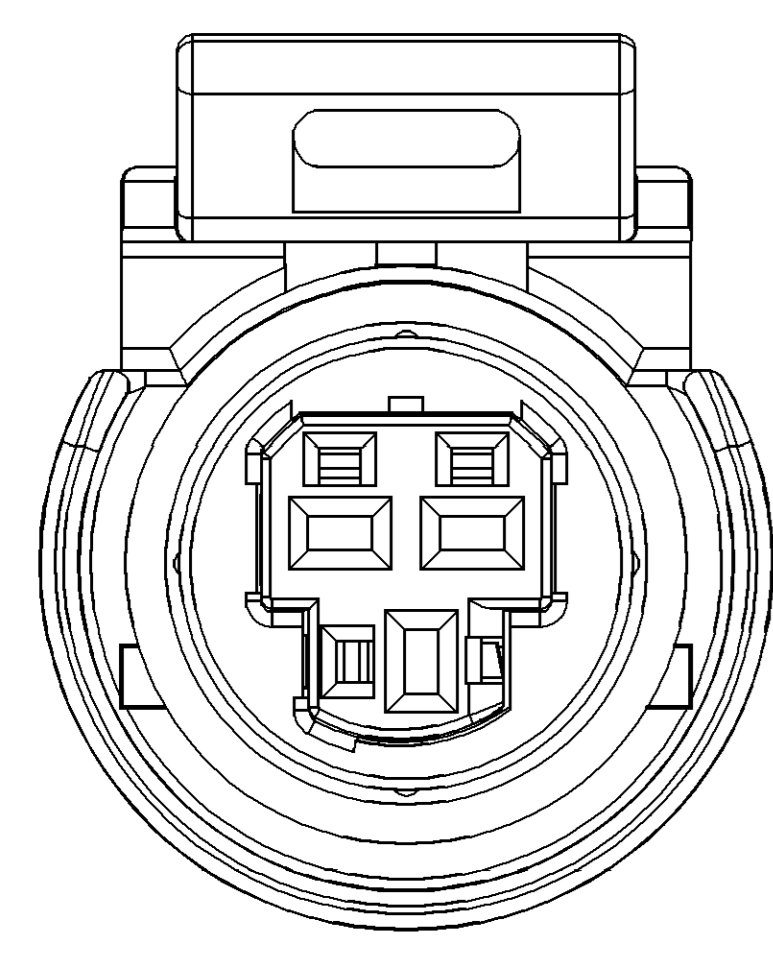
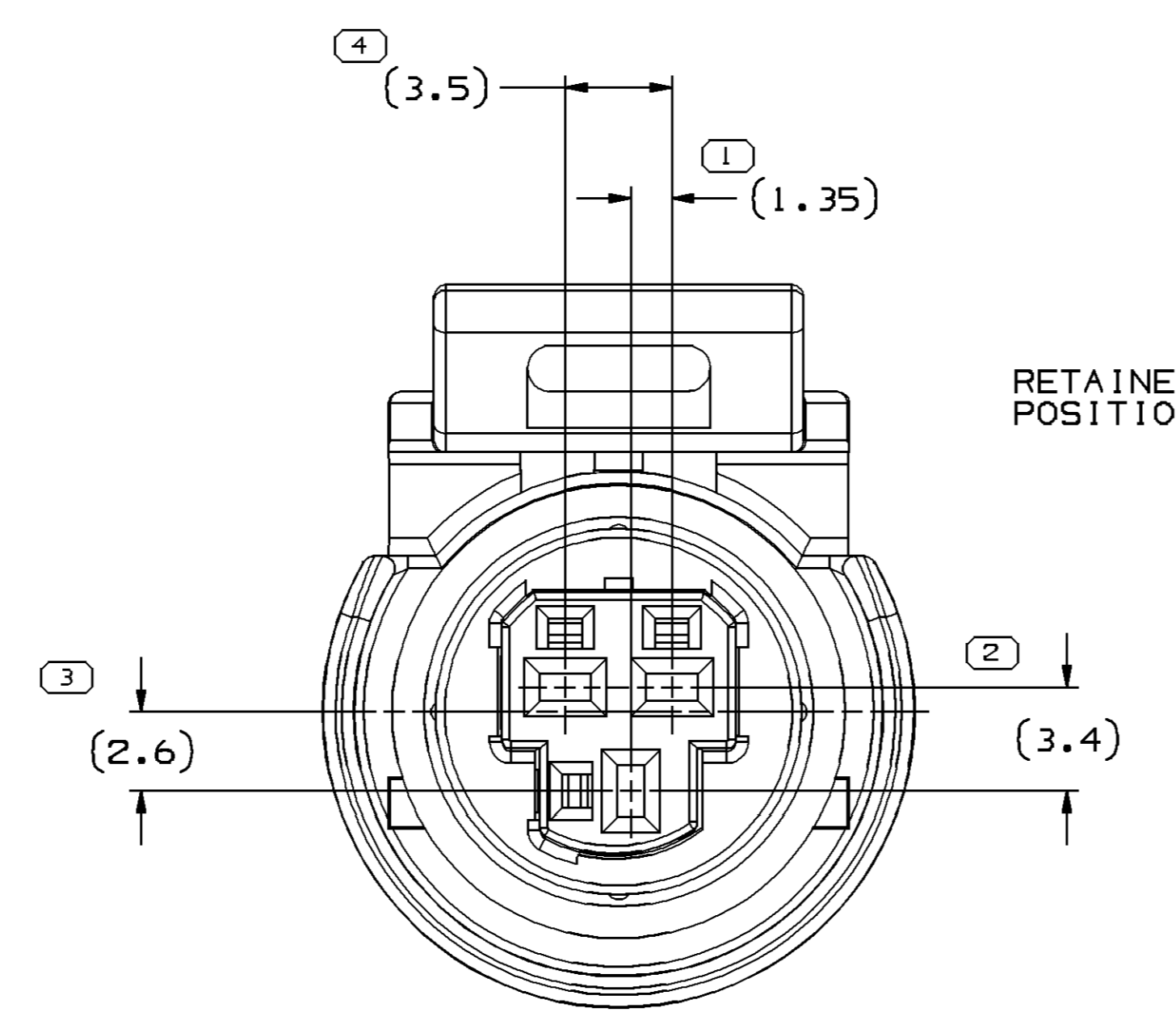
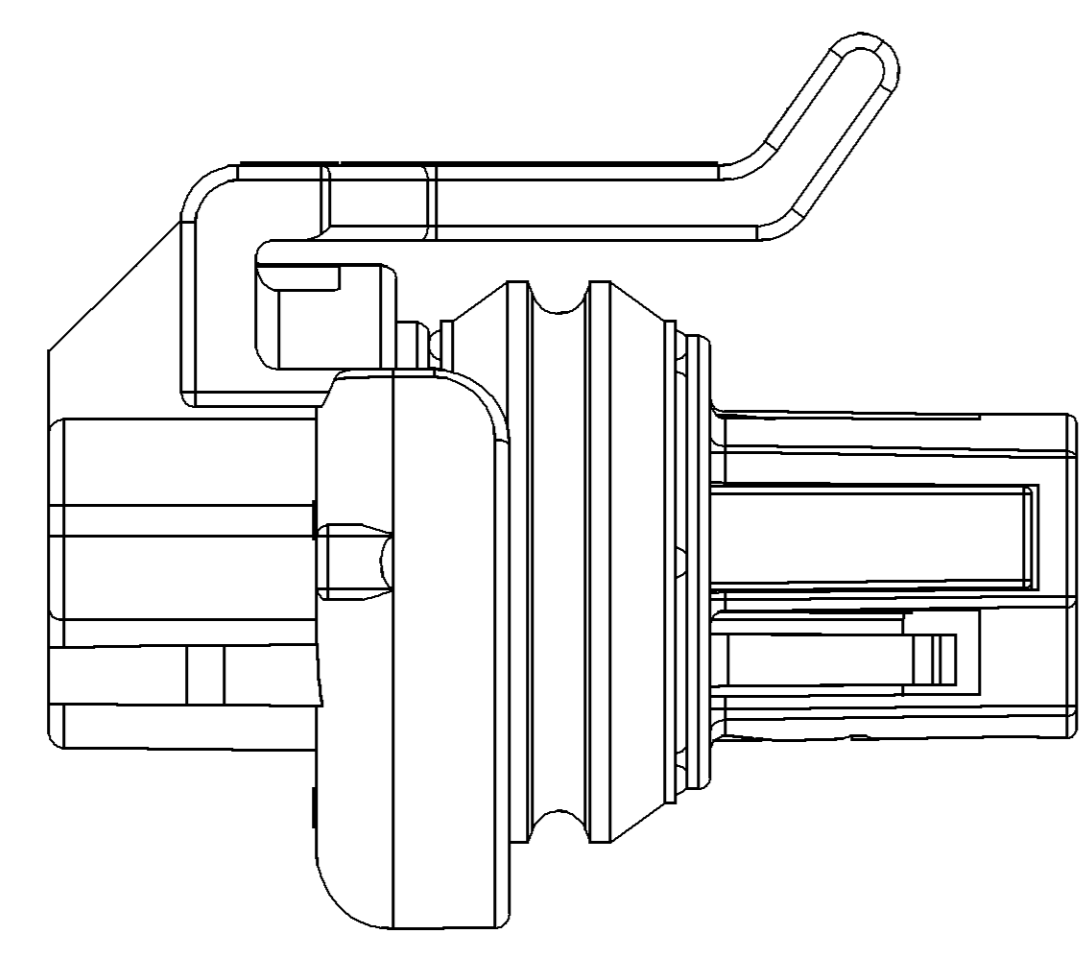
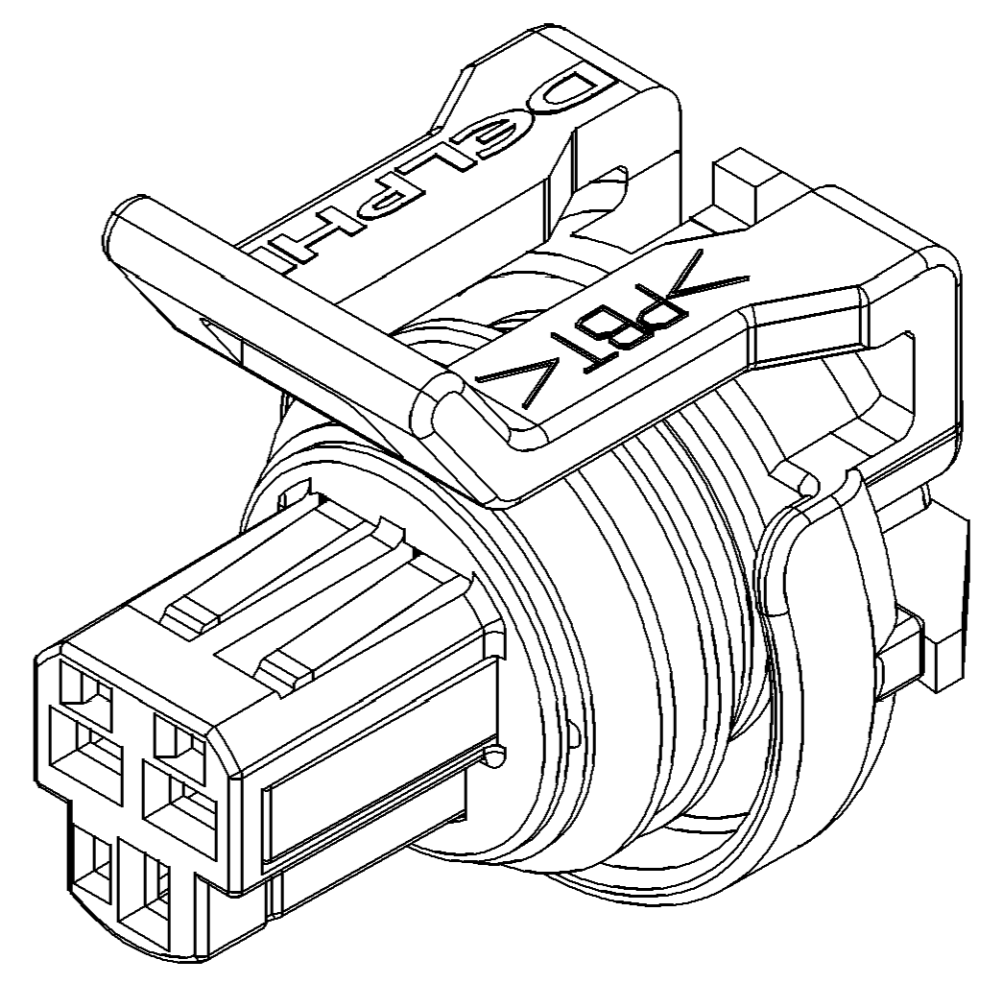
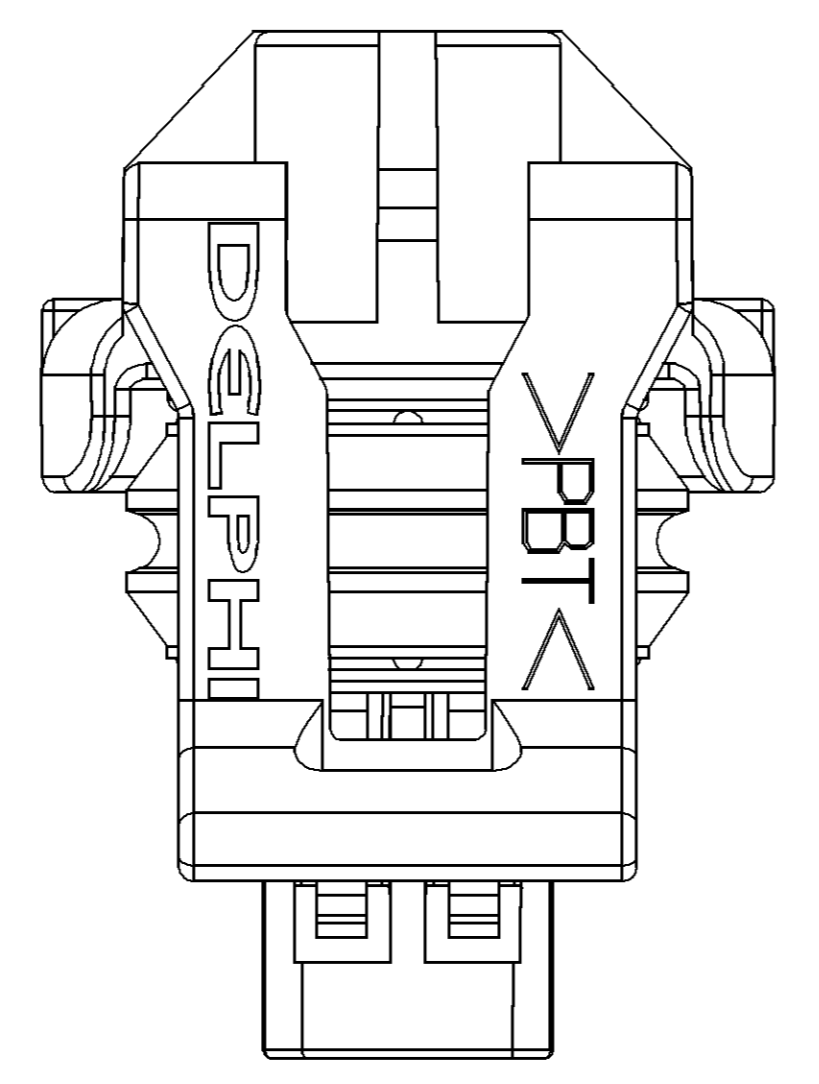


SYMBOL DEFINITION				MISSING SYMBOLS		DWG STATUS		REVISION HISTORY		AUTH		DR		AP/VD				
A DIMENSION WITHOUT AN INSPECTION REPORT SYMBOL DOES NOT REQUIRE INSPECTION. IT MAY BE CONTROLLED ON THE INDIVIDUAL COMPONENT DRAWING.				TOTAL NO OF INSPECTIONS REQUIRED	NO MISSING SYMBOL NUMBER	DATE	STG	REV	N/P	CHG	ZONE	15477863 - WAS SEPARATE DRAWING AND REVISED NOTE # 21 13532244 - RELEASED		268936	AMG	AMG	MJD	
				5		08JUN05	R	01	-	-		13602480 - RELEASED		283808	EES	EES	SM	
				LAST NO. USED	5	22MRO7	R	03	-	-		ALL PARTS - UPDATED PDM ATTRIBUTES		400934	ECB	ECB	AUG	661

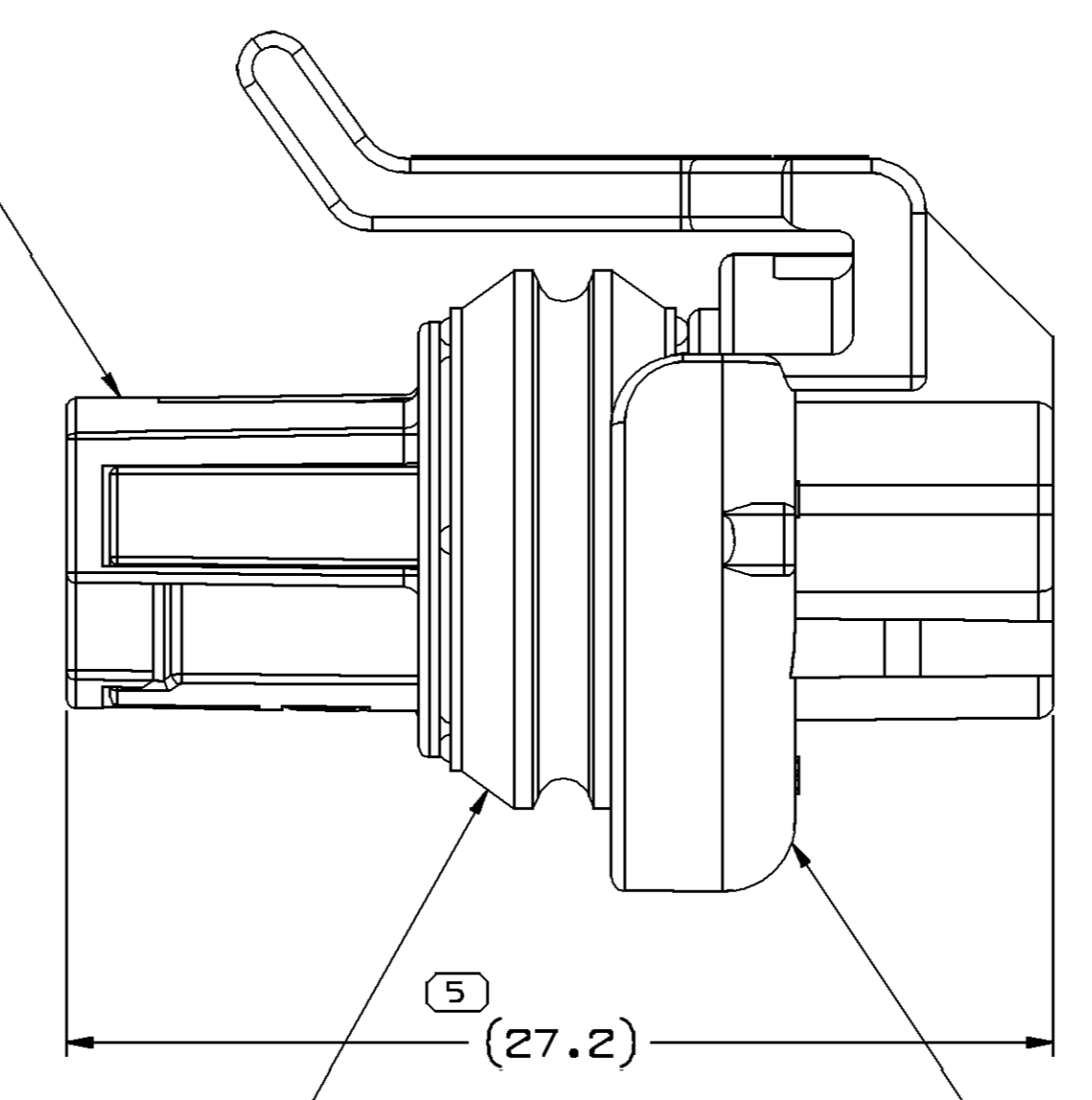


TYPE 102
SAME AS TYPE 101
EXCEPT AS SHOWN

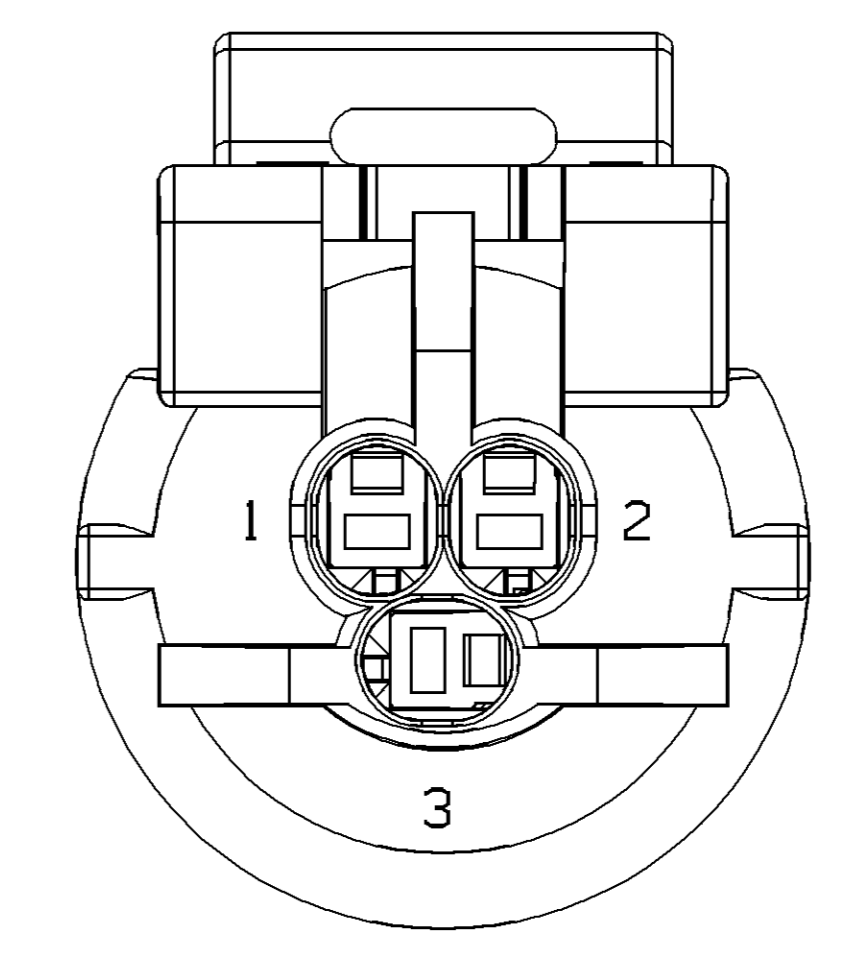


TYPE 101

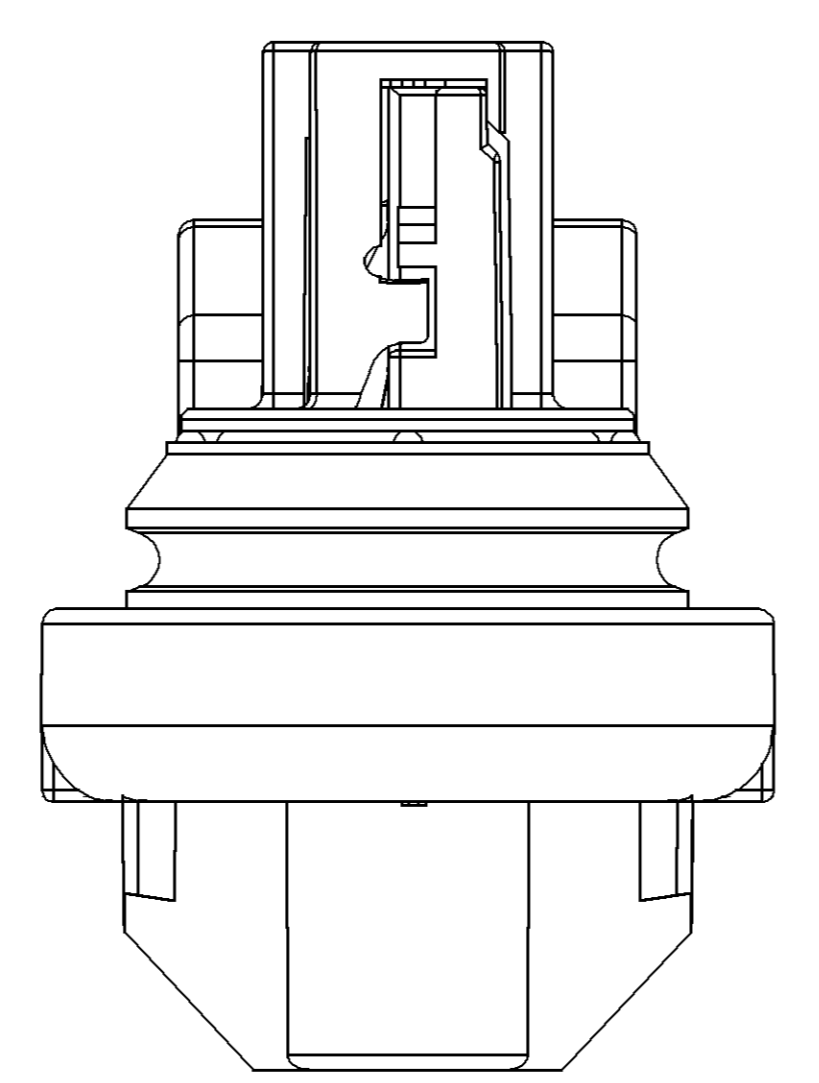
RETAINER IN LOCKED POSITION - SEE CHART



CONNECTOR SEAL - SEE CHART



CONNECTOR - SEE CHART



NOTES

- UNLESS OTHERWISE SPECIFIED AND/OR INDICATED:
DIMENSIONS ARE TO FACE OF VIEW SHOWN AND AUTOMATICALLY ROUNDED BY COMPUTER FOR INSPECTION (SEE MATH MODEL FOR PRECISE DIMENSIONS). FOR ALL OTHER DIMENSIONS NOT SHOWN BUT REQUIRED FOR TOOL BUILD, SEE MATH MODEL FOR PRECISE TOOL PATH DATA.
- THIS PART ACCEPTS THE FOLLOWING COMPONENTS OR EQUIVALENT:
SECONDARY TERMINAL LOCK 15452678
TERMINAL 15471370 GOLD PLATED
TERMINAL 15326267 TIN PLATED
CABLE SEAL 15305351
SECONDARY TERMINAL LOCK/CONDUIT CLIP 13511587
EITHER 15452678 OR 13511587 REQUIRED.
- FOR MATING CONFIGURATION REQUIREMENTS SEE 15459538.

PART NO	REV	N/P	STATUS	TYPE	CONNECTOR	CONNECTOR SEAL	RETAINER
13602480	01	-		102	13602478	15466100	13602479
13532244	01	-		101	15478315	15466100	15477862
15477863	02	A6		101	15478315	15439078	15477862

Dwg Type: PART DRAWING		Dwg Style: D																																																											
Volume: 10/1		Dist. Code: D																																																											
<p>UNLESS OTHERWISE SPECIFIED</p> <p>THIS DOCUMENT IS IN ACCORDANCE WITH ASME Y14.5M-1994 AS MODIFIED BY THE IN-SUPPLY DIMENSIONING AND TOLERANCE PRACTICES. SEPARATE WRITINGS OF FEATURES MAY BE BASED SEPARATELY PER REFERENCE OF DWTM REFERENCES.</p> <p>ALL DIMENSIONS ARE IN MILLIMETERS</p>																																																													
<p>(N/A) PROCESS SENSITIVE DIMENSION</p> <p>DIMENSIONS ENCLOSED IN () INDICATE DIMENSIONS ENCLOSED AND NO TOLERANCE LIMITS ARE ESTABLISHED</p>		<p>THIRD ANGLE PROJECTION</p> <p>DO NOT SCALE</p> <p>USE MATH DATA</p>																																																											
<table border="1"> <thead> <tr> <th>DIMENSIONAL RANGE (MM)</th> <th>TOLERANCE</th> </tr> </thead> <tbody> <tr> <td>FROM > 0 TO > 20</td> <td>±0.25</td> </tr> <tr> <td>> 20 TO > 30</td> <td>±0.30</td> </tr> <tr> <td>> 30 TO > 70</td> <td>±0.40</td> </tr> <tr> <td>> 70 TO > 100</td> <td>±0.50</td> </tr> <tr> <td>> 100 TO > 150</td> <td>±0.63</td> </tr> <tr> <td>> 150 TO > 200</td> <td>±0.75</td> </tr> <tr> <td>> 200 TO > 250</td> <td>±0.90</td> </tr> <tr> <td>> 250 TO > 300</td> <td>±1.00</td> </tr> <tr> <td>> 300 TO > 400</td> <td>±1.20</td> </tr> </tbody> </table>		DIMENSIONAL RANGE (MM)	TOLERANCE	FROM > 0 TO > 20	±0.25	> 20 TO > 30	±0.30	> 30 TO > 70	±0.40	> 70 TO > 100	±0.50	> 100 TO > 150	±0.63	> 150 TO > 200	±0.75	> 200 TO > 250	±0.90	> 250 TO > 300	±1.00	> 300 TO > 400	±1.20	<table border="1"> <thead> <tr> <th>ANGLE</th> <th>TOLERANCE</th> </tr> </thead> <tbody> <tr> <td>±1</td> <td>±1.2</td> </tr> <tr> <td>±2</td> <td>±1.5</td> </tr> <tr> <td>±3</td> <td>±2.0</td> </tr> <tr> <td>±4</td> <td>±2.5</td> </tr> <tr> <td>±5</td> <td>±3.0</td> </tr> <tr> <td>±6</td> <td>±3.5</td> </tr> <tr> <td>±8</td> <td>±4.5</td> </tr> <tr> <td>±10</td> <td>±5.5</td> </tr> <tr> <td>±12</td> <td>±6.5</td> </tr> <tr> <td>±15</td> <td>±8.0</td> </tr> <tr> <td>±20</td> <td>±10.0</td> </tr> <tr> <td>±25</td> <td>±12.5</td> </tr> <tr> <td>±30</td> <td>±15.0</td> </tr> <tr> <td>±40</td> <td>±20.0</td> </tr> <tr> <td>±50</td> <td>±25.0</td> </tr> <tr> <td>±60</td> <td>±30.0</td> </tr> <tr> <td>±75</td> <td>±37.5</td> </tr> <tr> <td>±90</td> <td>±45.0</td> </tr> </tbody> </table>		ANGLE	TOLERANCE	±1	±1.2	±2	±1.5	±3	±2.0	±4	±2.5	±5	±3.0	±6	±3.5	±8	±4.5	±10	±5.5	±12	±6.5	±15	±8.0	±20	±10.0	±25	±12.5	±30	±15.0	±40	±20.0	±50	±25.0	±60	±30.0	±75	±37.5	±90	±45.0
DIMENSIONAL RANGE (MM)	TOLERANCE																																																												
FROM > 0 TO > 20	±0.25																																																												
> 20 TO > 30	±0.30																																																												
> 30 TO > 70	±0.40																																																												
> 70 TO > 100	±0.50																																																												
> 100 TO > 150	±0.63																																																												
> 150 TO > 200	±0.75																																																												
> 200 TO > 250	±0.90																																																												
> 250 TO > 300	±1.00																																																												
> 300 TO > 400	±1.20																																																												
ANGLE	TOLERANCE																																																												
±1	±1.2																																																												
±2	±1.5																																																												
±3	±2.0																																																												
±4	±2.5																																																												
±5	±3.0																																																												
±6	±3.5																																																												
±8	±4.5																																																												
±10	±5.5																																																												
±12	±6.5																																																												
±15	±8.0																																																												
±20	±10.0																																																												
±25	±12.5																																																												
±30	±15.0																																																												
±40	±20.0																																																												
±50	±25.0																																																												
±60	±30.0																																																												
±75	±37.5																																																												
±90	±45.0																																																												

DELPHI
DELPHI PACKARD ELECTRICAL/ELECTRONIC ARCHITECTURE
HYDEN, OH

DR	DATE
APV01 ANDRES MENDEZ	09JUN05
APV02 ANDRES MENDEZ	09JUN05
APV03 MICHAEL DEMONICA	17JUN05
APV04	
APV05	

UNLESS OTHERWISE SPECIFIED
SUBSTANCES OF CONCERN AND RECYCLED CONTENT PER DELPHI 10949001

WATER/IN SEE DRAWING

DRAWING NAME: TAXI ASM CONN GT 150 SLD

DRAWING NUMBER: 13532243

SCALE: 5:1

FRAME NO: 1 OF 1

SHEET NO: 1 OF 1

REV: R 03