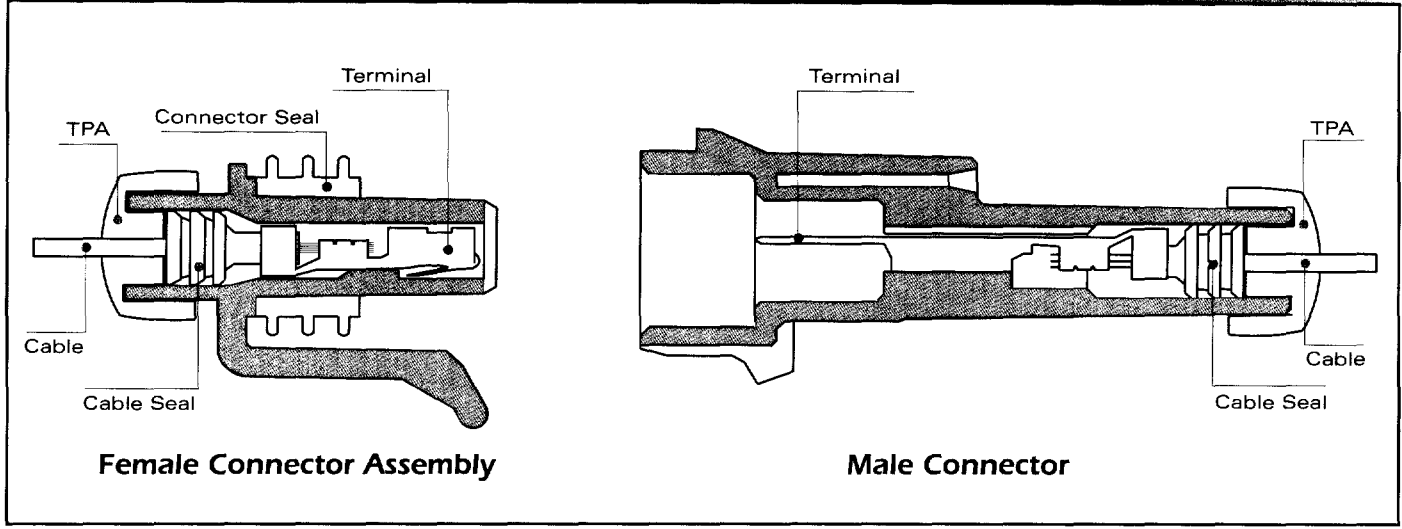
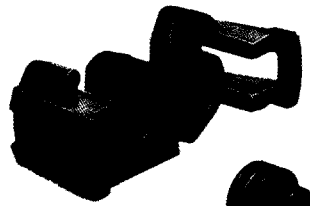




Cross Sectional View



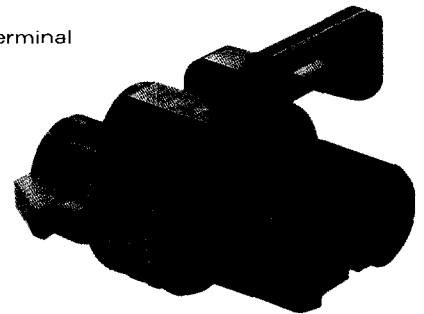
TPA
(Terminal Position Assurance)



Cable Seal



Female Terminal



Female Connector Assembly

480 FEMALE TERMINALS SEALED

Part #	Cable Range (mm ²)	Material	Plating
12052139	5.0-3.0	Tin Brass	Tin
12048451	2.0-1.0	Tin Brass	Tin
12048450	0.80-0.50	Tin Brass	Tin

480 METRI-PACK CABLE SEALS

Reel Part #	Loose Part #	Cable Diameter	Material	Color
12065703	12034170	5.16-4.40	Silicone	Orange
12052453	12048443	4.50-3.61	Silicone	Purple
12052452	12048442	3.75-2.81	Silicone	Red
12048433	12048441	2.85-2.01	Silicone	White
12052931	12052930	2.15-1.60	Silicone	Yellow
12162068	12162067	1.70-1.29	Silicone	Pink

480 FEMALE CONNECTOR ASSEMBLY SEALED

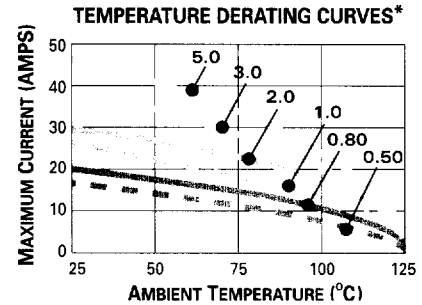
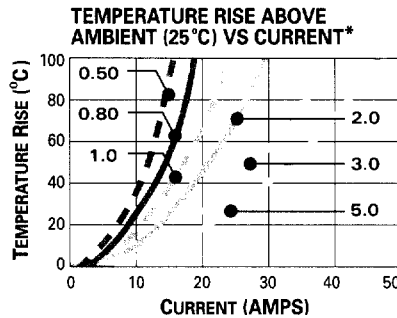
# Cavities	Conn. Asm.	Color	Material	TPA
2	12052613	Black	PA66 HS IM	12059897



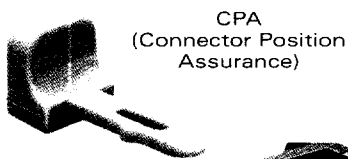
Sealed System Application Information

480 SERIES TERMINALS-Tin Plated

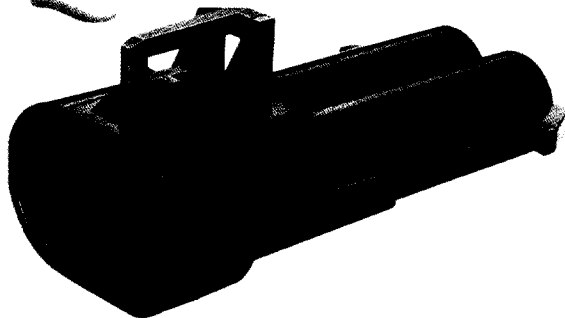
CABLE RANGE (mm²): 0.50-5.0
CURRENT RANGE (AMPS): 0-42
TEMP RANGE °C: -40 to 125
RESISTANCE: <10mΩ@20mV
VOLTAGE DROP: <3.0mV/amp
CENTERLINE SPACING (mm): 9.5
BLADE WIDTH (mm): 4.8



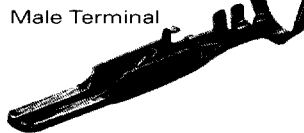
*The test data are based on single circuits in free space and were generated using a "Lumped Resistance" model. This model does not account for all of the variables that would be present in an actual application. For actual product performance, contact your regional support representative at the number listed below.



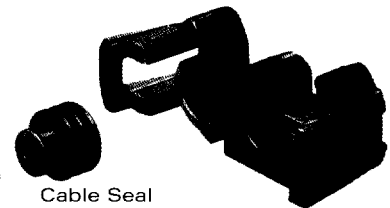
CPA
(Connector Position Assurance)



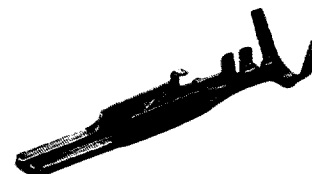
Male Connector



Male Terminal



Cable Seal



TPA
(Terminal Position Assurance)

480 MALE TERMINALS SEALED

Part #	Cable Range (mm ²)	Material	Plating
12052172	5.0	Tin Brass	Tin
12065197	3.0	Tin Brass	Tin
12065196	2.0-1.0	Tin Brass	Tin



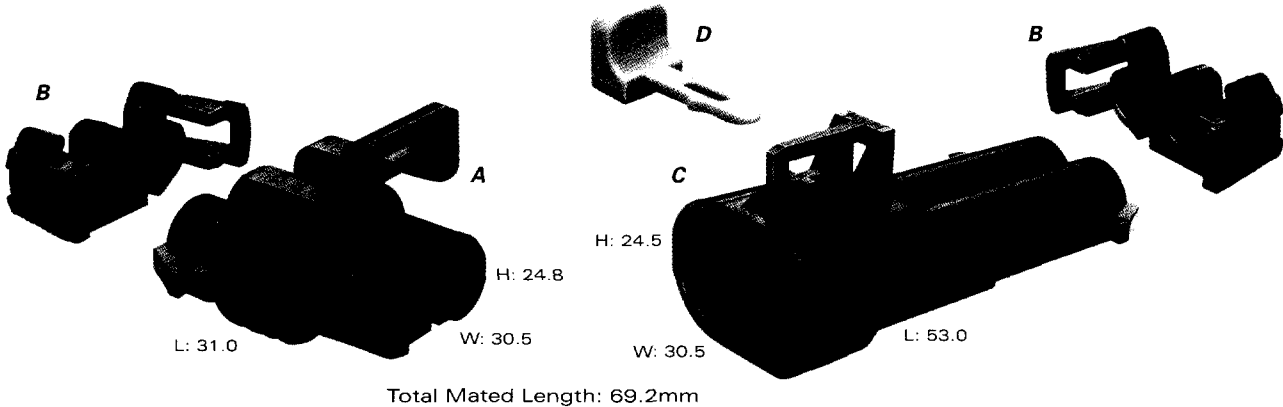
480 METRI-PACK CAVITY PLUG*

# Cavities	Connector	Color	Material	TPA	Part #	Cavity Inside Diameter	Material	Color
2	12065863	Black	PA66 HS IM	12059897	12066082	8.5mm	Silicone	Lt. Green

*Cavity plugs seal unused female and male cavities

SECTION NOTES:

- Contact your regional support representative at the number listed below.
- Due to rigid tolerances of connector cavities, it is critical to meet all crimp dimensions as specified.
- Female connections for device applications, see page 104.

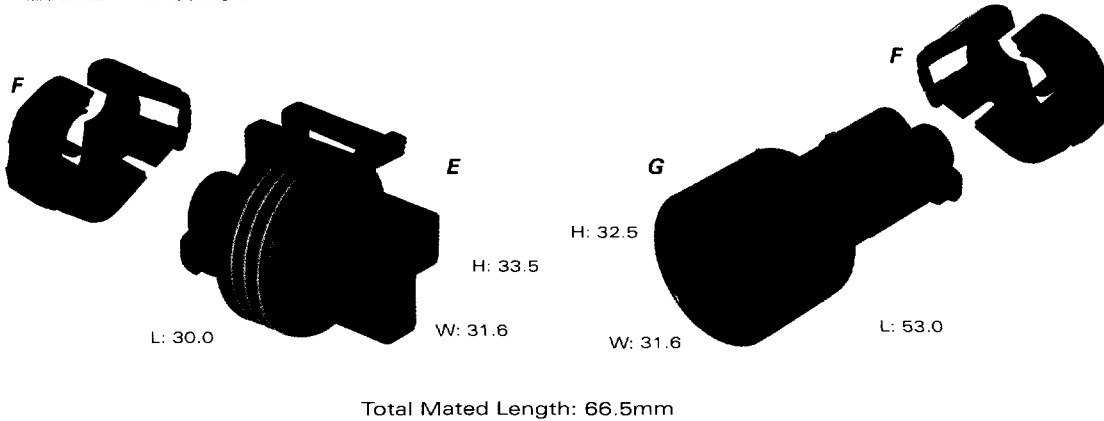


A PART NO: 12052613
 DESCRIPTION: Connector Assembly 2F
 SIZE: 31.0L x 24.8H x 30.5W
 COLOR: Black
 MATERIAL: PA66 HS IM
 TERMINALS: See Page 100
 SEALS/PLUGS: See Page 100, 101

C PART NO: 12065863
 DESCRIPTION: Connector 2M (Clip Slot)
 SIZE: 53.0L x 24.5H x 30.5W
 COLOR: Black
 MATERIAL: PA66 HS IM
 TERMINALS: See Page 101
 SEALS/PLUGS: See Page 100, 101

B PART NO: 12059897
 DESCRIPTION: TPA
 NUMBER REQ: 2
 COLOR: Black
 MATERIAL: PA66 HS IM

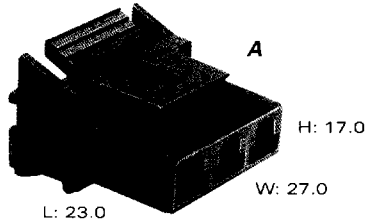
D PART NO: 12020833
 DESCRIPTION: CPA
 COLOR: Gray
 MATERIAL: PBT



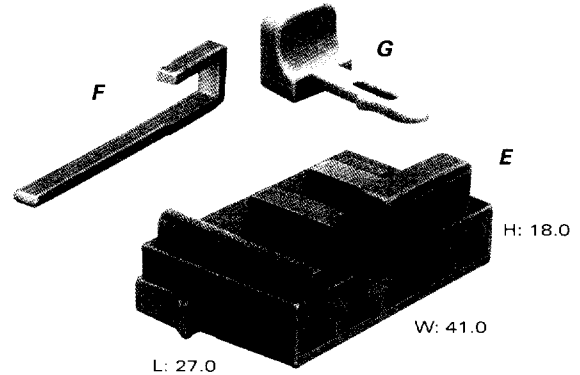
E PART NO: 12131592
 DESCRIPTION: Connector Assembly 3F
 SIZE: 30.0L x 33.5H x 31.6W
 COLOR: Black
 MATERIAL: PA66
 TERMINALS: See Page 100
 SEALS/PLUGS: See Page 100, 101

G PART NO: 15344628
 DESCRIPTION: Connector 3M
 SIZE: 53.0L x 32.5H x 31.6W
 COLOR: Black
 MATERIAL: PA66 25% GF
 TERMINALS: See Page 101
 SEALS/PLUGS: See Page 100, 101

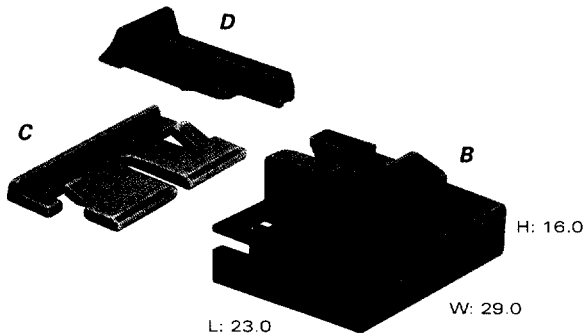
F PART NO: 12131543
 DESCRIPTION: TPA
 NUMBER REQ: 2
 COLOR: Black
 MATERIAL: PA66



A PART NO: 12162512*
 DESCRIPTION: Connector 3F
 SIZE: 23.0L x 17.0H x 27.0W
 COLOR: Black
 MATERIAL: PA6
 TERMINALS: See Page 96
 TYPICAL APP: Switch
 *HINGED SECONDARY LOCK



E PART NO: 12059296
 DESCRIPTION: Connector 5F
 SIZE: 27.0L x 18.0H x 41.0W
 COLOR: Red
 MATERIAL: PA6
 TERMINALS: See Page 96
 TYPICAL APP: Switch



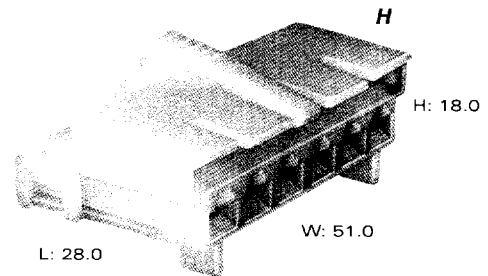
B PART NO: 12066571
 DESCRIPTION: Connector 4F
 SIZE: 23.0L x 16.0H x 29.0W
 COLOR: Black
 MATERIAL: PA66 HS IM
 TERMINALS: See Page 96
 TYPICAL APP: Various

F PART NO: 12059297
 DESCRIPTION: Secondary Lock
 COLOR: Natural
 MATERIAL: PBT

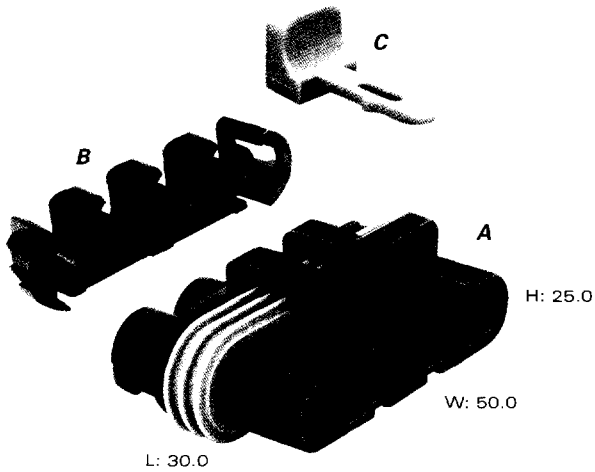
G PART NO: 12020833
 DESCRIPTION: CPA
 COLOR: Gray
 MATERIAL: PBT

C PART NO: 12066572
 DESCRIPTION: TPA
 COLOR: Md. Gray
 MATERIAL: PA66 HS IM

D PART NO: 12052834
 DESCRIPTION: CPA
 COLOR: Green
 MATERIAL: PP



H PART NO: 12034061*
 DESCRIPTION: Connector 6F
 SIZE: 28.0L x 18.0H x 51.0W
 COLOR: Natural
 MATERIAL: PA66 HS IM
 TERMINALS: See Page 96
 TYPICAL APP: Switch
 *HINGED SECONDARY LOCK



A PART NO: 12048412
 DESCRIPTION: Connector Assembly 4F
 SIZE: 30.0L x 25.0H x 50.0W
 COLOR: Black
 MATERIAL: PA6
 TERMINALS: See Page 100
 SEALS/PLUGS: See Page 100, 101
 TYPICAL APP: Resistor Pack

B PART NO: 12048413
 DESCRIPTION: TPA
 COLOR: Black
 MATERIAL: PA6

C PART NO: 12020833
 DESCRIPTION: CPA
 COLOR: Gray
 MATERIAL: PBT