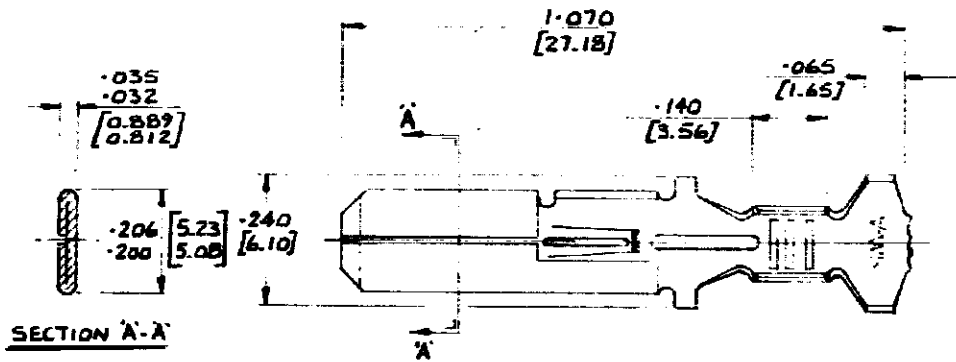


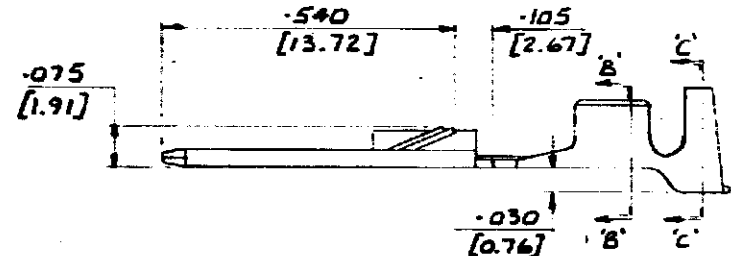
NUMBER 153303

3rd ANGLE (AMERICAN) PROJECTION

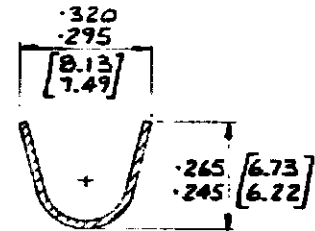
DIMENSIONS IN INCHES. DO NOT SCALE PRINT
DIMENSIONS THUS [] IN MM.



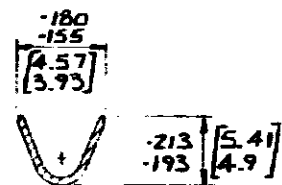
SECTION A-A



SECTION B-B



SECTION C-C



NOTE: - .130 - .190 INSULATION
[3.3 - 4.92]

153303-2	PRE-TIN
153303-1	NONE
PART NO	FINISH

© AMP of GREAT BRITAIN LTD 1973

CUSTOMER COPY REFERENCE ONLY

MATERIAL AND FINISH
.016 [0.41] THICK
BRASS



FINISH: SEE TABLE

WIRE - RANGE - INSULATION
12-10 SEE NOTE

TOLERANCE EXCEPT AS NOTED
± 0.15 [0.38] ± 1°

SCALE
4:1

LOC E A NO C-153303

REV T

NAME
.203 [5.16] TAB

PRINT (CONT.)

DC	REV	DATE	DE	DATE
BSM	1	23/10/75	BSM	23/10/75
BSM	2	23/10/75	BSM	23/10/75