

1586038-4 ✓ ACTIVE



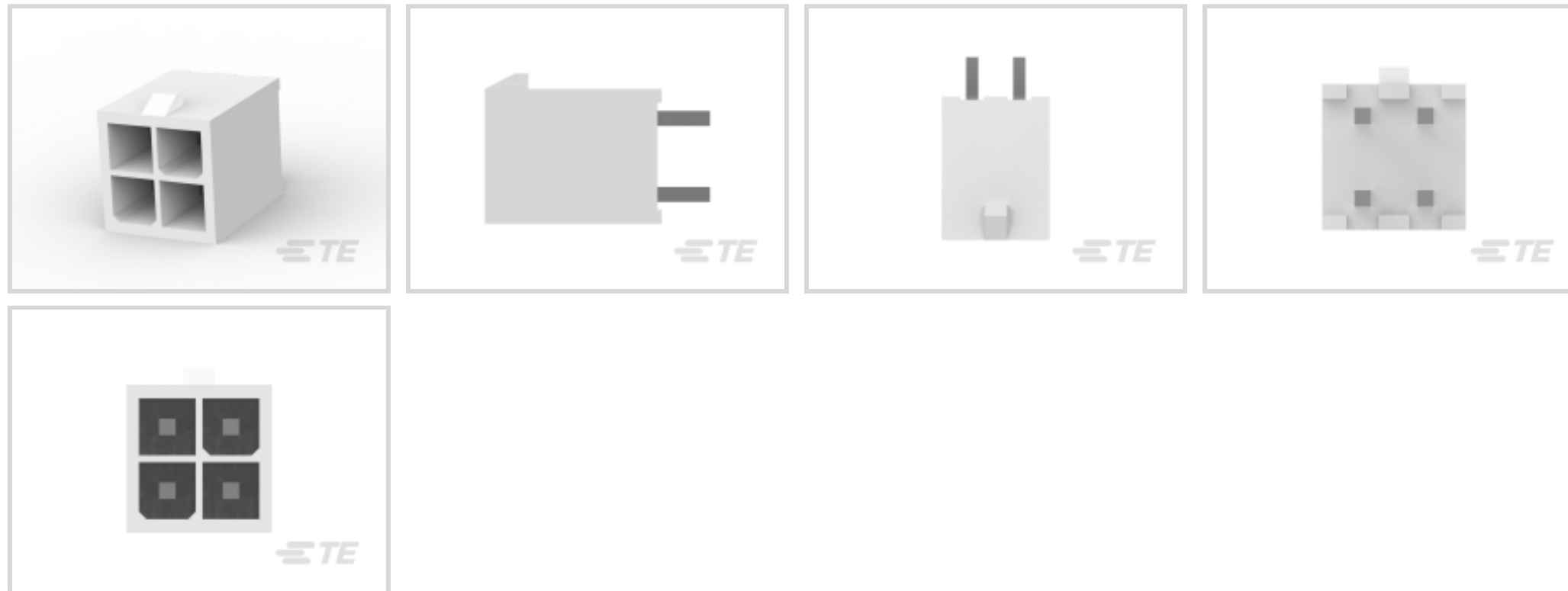
VAL-U-LOK

TE Internal #: 1586038-4

Rectangular Power Connectors, Header, Plug, Wire-to-Board, 4 Position, .165 in [4.2 mm] Centerline, Printed Circuit Board, UL 94V-0

[View on TE.com >](#)

Connectors > Power Connectors > Rectangular Power > Rectangular Power Connectors



Rectangular Power Connector Type: **Header**

Connector & Housing Type: **Plug**

Connector System: **Wire-to-Board**

Number of Positions: **4**

Centerline (Pitch): **4.2 mm [.165 in]**

Features

Product Type Features

Rectangular Power Connector Type	Header
Connector & Housing Type	Plug
Connector System	Wire-to-Board
Sealable	No
Connector & Contact Terminates To	Printed Circuit Board

Configuration Features

Number of Positions	4
PCB Mount Orientation	Vertical
Number of Power Positions	4
Number of Rows	2

Electrical Characteristics

Operating Voltage	600 VAC
-------------------	---------

Contact Features

Contact Layout	Inline, Matrix, Square Grid
----------------	-----------------------------



Contact Current Rating (Max)	9 A
Contact Retention Within Housing	Without
Contact Type	Pin
PCB Contact Termination Area Plating Material	Tin
Contact Mating Area Plating Material	Tin
Contact Mating Area Plating Material Thickness	2.03 – 5.08 μm [80 – 200 μin]

Termination Features

Termination Post & Tail Length	3.5 mm[.138 in]
Termination Method to Printed Circuit Board	Through Hole - Solder

Mechanical Attachment

Mating Alignment Type	Keyed
Mating Alignment	With
PCB Mount Alignment	Without
PCB Mount Retention	Without
Connector Mounting Type	Board Mount
Mating Retention	With
Mating Retention Type	Latch

Housing Features

Centerline (Pitch)	4.2 mm[.165 in]
Housing Color	Natural
Housing Material	Nylon

Dimensions

Insulation Diameter (Max)	2.39 mm[2.39 in]
Row-to-Row Spacing	4.2 mm[.165 in]
PCB Thickness (Recommended)	.06 mm[1.6 in]
Width	9.75 mm[.384 in]
Accepts Wire Insulation Diameter Range	1.2 – 3.1 mm[.047 – .122 in]
Height	12.8 mm[.504 in]
Length	9.6 mm[.378 in]

Usage Conditions

Operating Temperature Range	-40 – 105 $^{\circ}\text{C}$ [-40 – 221 $^{\circ}\text{F}$]
-----------------------------	--

Operation/Application



Circuit Application	Power
---------------------	-------

Identification Marking

Circuit Identification Feature	With
--------------------------------	------

Industry Standards

UL Flammability Rating	UL 94V-0
------------------------	----------

Glow Wire Rating	Standard Part - Not Glow Wire
------------------	-------------------------------

Agency/Standard Number	E28476
------------------------	--------

Agency/Standard	UL
-----------------	----

UL Rating	Recognized
-----------	------------

VDE Tested	No
------------	----

Packaging Features

Packaging Method	Box & Tray, Tray
------------------	------------------

Packaging Quantity	600
--------------------	-----

Product Compliance

[For compliance documentation, visit the product page on TE.com>](#)

EU RoHS Directive 2011/65/EU	Compliant
------------------------------	-----------

EU ELV Directive 2000/53/EC	Compliant
-----------------------------	-----------

China RoHS 2 Directive MIIT Order No 32, 2016	No Restricted Materials Above Threshold
---	---

EU REACH Regulation (EC) No. 1907/2006	Current ECHA Candidate List: JUNE 2022 (224) Candidate List Declared Against: JAN 2022 (223) SVHC > Threshold: Not Yet Reviewed
--	--

Halogen Content	Low Halogen - Br, Cl, F, I < 900 ppm per homogenous material. Also BFR/CFR/PVC Free
-----------------	---

Solder Process Capability	Wave solder capable to 265°C
---------------------------	------------------------------

Product Compliance Disclaimer

This information is provided based on reasonable inquiry of our suppliers and represents our current actual knowledge based on the information they provided. This information is subject to change. The part numbers that TE has identified as EU RoHS compliant have a maximum concentration of 0.1% by weight in homogenous materials for lead, hexavalent chromium, mercury, PBB, PBDE, DBP, BBP, DEHP, DIBP, and 0.01% for cadmium, or qualify for an exemption to these limits as defined in the Annexes of Directive 2011/65/EU (RoHS2). Finished electrical and electronic equipment products will be CE marked as required by Directive 2011/65/EU. Components may not be CE marked. Additionally, the part numbers that TE has identified as EU ELV compliant have a maximum concentration of 0.1% by weight in homogenous materials for lead, hexavalent chromium, and mercury, and 0.01% for cadmium, or qualify for an exemption to these limits as defined in the Annexes of Directive 2000/53/EC (ELV). Regarding the REACH Regulation, the information TE provides

on SVHC in articles for this part number is based on the latest European Chemicals Agency (ECHA) 'Guidance on requirements for substances in articles' posted at this URL: <https://echa.europa.eu/guidance-documents/guidance-on-reach>

Compatible Parts



TE Part # 1586019-4
4P RCPT VAL-U-LOK V0



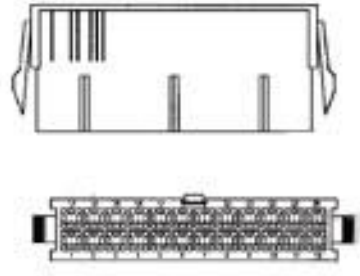
TE Part # 1969613-4
4P PM PLUG VAL-U-LOK V0



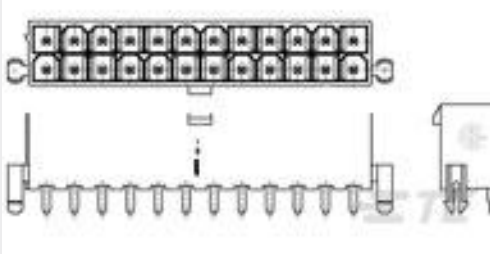
TE Part # 1969612-4
4P FH PLUG VAL-U-LOK V0



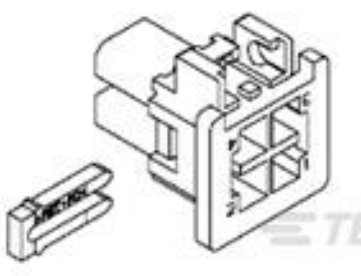
TE Part # 2029035-4
4P PLUG VAL-U-LOK PM V0 BLK



TE Part # 2029092-4
4P PLUG VAL-U-LOK V0 PM RED



TE Part # 2029172-4
4P VRT HDR VAL-U-LOK V2 W/ODH



TE Part # 794318-1
AMP DUAC/PL 04P KIT BULK PKG

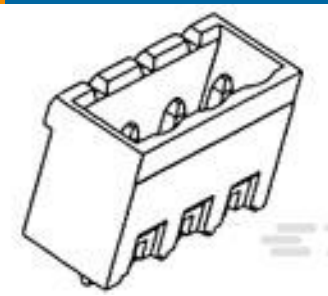
Customers Also Bought



TE Part #316454-1
M-U-M-N-L PLUG CABLE CLAMP



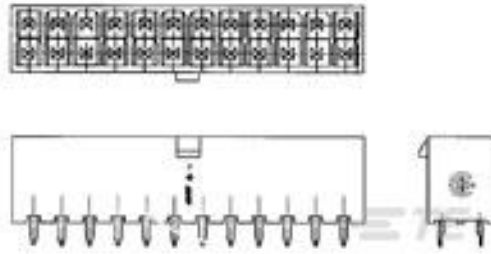
TE Part #3-2176329-9
CRGP 1210 15K 1%



TE Part #282826-7
TERMI-BLOK HEADER,ASSY90 7P.



TE Part #1-770873-0
03P MINI UMNL HDR ASSY SN



TE Part #1-1586038-0
10P VRT HDR VAL-U-LOK V0



TE Part #8-2176091-7
RP 2A 0.25W 475R 0.1% 25PPM 1K RL



TE Part #1554218-1
MICRO STACK HDR ASSY 8OP H=16



TE Part #2-1705300-8
SIM CONNECTOR 5 DIRECTIONAL

Documents

Product Drawings
4P VRT HDR VAL-U-LOK V0
English



CAD Files

3D PDF

3D

Customer View Model

[ENG_CVM_CVM_1586038-4_C.2d_dxf.zip](#)

English

Customer View Model

[ENG_CVM_CVM_1586038-4_C.3d_igs.zip](#)

English

Customer View Model

[ENG_CVM_CVM_1586038-4_C.3d_stp.zip](#)

English

By downloading the CAD file I accept and agree to the [Terms and Conditions](#) of use.

Datasheets & Catalog Pages

[SOFT_SHELL_PIN_AND_SOCKET_CONNECTORS_CATALOG](#)

English

Product Specifications

[Product Specification](#)

English

Product Environmental Compliance

[MD_1586038-4_121220172247_dmtec](#)

English

[MD_1586038-4_121220172247_dmtec](#)

English

Agency Approvals

[UL Report](#)

English