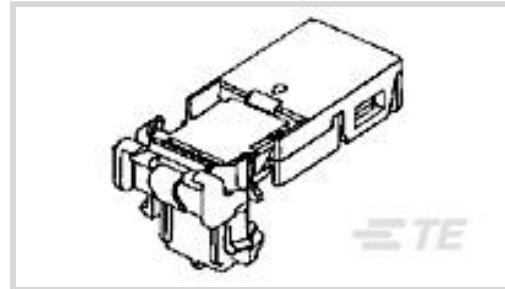




Connectors > Automotive Connectors > Connector Housings



Connector & Housing Type: **Housing for Female Terminals**

Mating Pin Diameter: **1 mm [.039 in]**

Connector System: **Wire-to-Board, Wire-to-Device**

Number of Positions: **2**

Centerline (Pitch): **3.1 mm [.122 in]**

Features

Product Type Features

Connector & Housing Shape	Rectangular
Connector & Housing Type	Housing for Female Terminals
Connector System	Wire-to-Board, Wire-to-Device
Sealable	No
Hybrid Connector	No

Configuration Features

Number of Positions	2
Number of Rows	1

Body Features

Cable Exit Angle	90°
Body Material	PBT
Primary Product Color	Orange

Contact Features

Contact Size	1mm
Contact Type	Socket
Mating Pin Diameter	1 mm[.039 in]

Mechanical Attachment

Mounting Feature	Without
------------------	---------



Terminal Position Assurance	Yes
Strain Relief	Without
Mating Alignment Type	Polarizing Rib
Mating Alignment	With
Connector Mounting Type	Cable Mount (Free-Hanging)

Housing Features

Centerline (Pitch)	3.1 mm[.122 in]
--------------------	-----------------

Dimensions

Product Width	11.8 mm[.465 in]
Product Length	16.6 mm[.654 in]
Product Height	29.5 mm[1.161 in]

Usage Conditions

Operating Temperature (Max)	70 °C, 75 °C, 80 °C[158 °F][167 °F][176 °F]
Operating Temperature Range	-30 – 80 °C[-22 – 176 °F]

Industry Standards

UL Flammability Rating	UL 94HB
------------------------	---------

Packaging Features

Packaging Quantity	100
Packaging Method	Bag

Other

Serviceable	Yes
Connector Position Assurance Capable	No

Product Compliance

[For compliance documentation, visit the product page on TE.com>](#)

EU RoHS Directive 2011/65/EU	Compliant
EU ELV Directive 2000/53/EC	Compliant
China RoHS 2 Directive MIIT Order No 32, 2016	No Restricted Materials Above Threshold
EU REACH Regulation (EC) No. 1907/2006	Current ECHA Candidate List: JUNE 2022 (224) Candidate List Declared Against: JAN 2022 (223) SVHC > Threshold: Not Yet Reviewed



Halogen Content

Low Halogen - Br, Cl, F, I < 900 ppm per homogenous material. Also BFR/CFR/PVC Free

Solder Process Capability

Not applicable for solder process capability

Product Compliance Disclaimer

This information is provided based on reasonable inquiry of our suppliers and represents our current actual knowledge based on the information they provided. This information is subject to change. The part numbers that TE has identified as EU RoHS compliant have a maximum concentration of 0.1% by weight in homogenous materials for lead, hexavalent chromium, mercury, PBB, PBDE, DBP, BBP, DEHP, DIBP, and 0.01% for cadmium, or qualify for an exemption to these limits as defined in the Annexes of Directive 2011/65/EU (RoHS2). Finished electrical and electronic equipment products will be CE marked as required by Directive 2011/65/EU. Components may not be CE marked. Additionally, the part numbers that TE has identified as EU ELV compliant have a maximum concentration of 0.1% by weight in homogenous materials for lead, hexavalent chromium, and mercury, and 0.01% for cadmium, or qualify for an exemption to these limits as defined in the Annexes of Directive 2000/53/EC (ELV). Regarding the REACH Regulation, the information TE provides on SVHC in articles for this part number is based on the latest European Chemicals Agency (ECHA) 'Guidance on requirements for substances in articles' posted at this URL: <https://echa.europa.eu/guidance-documents/guidance-on-reach>

Compatible Parts



TE Part # 1376766-1
SQUIB 11DIA SCR ASSY 9.3MM TYP



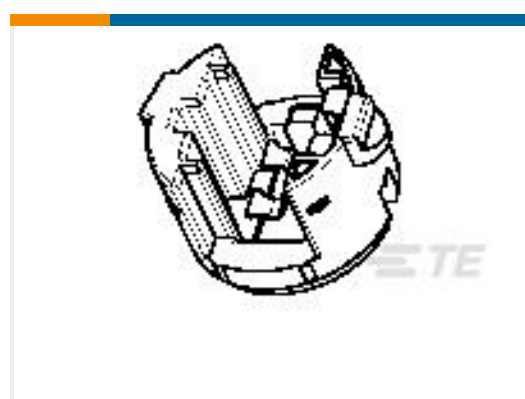
TE Part # 1612119-1
11DIA SQUIB SLIM MK-2 LOCKING



TE Part # 353376-3
SQUIB CONT 1MM PIN DIA SOCKET



TE Part # 1473369-1
SQUIB 11DIA SCR ASSY 8.8MM TYP



TE Part # 1376766-3
SQUIB 11DIA SCR ASSY 9.3MM TYP



TE Part # 1473369-3
SQUIB 11DIA SCR ASSY 8.8MM TYP



TE Part # 1473369-4
SQUIB 11DIA SCR ASSY 8.8MM TYP



TE Part # 1473369-5
SQUIB 11DIA SCR ASSY 8.8MM TYP



TE Part # 1-1473369-4
SQUIB 11DIA SCR ASSY 8.8MM TYPE



TE Part # 1473369-7
SQUIB 11DIA SCR ASSY CODE-A GR



TE Part # 1473369-9
SQUIB 11DIA SCR ASSY 8.8MM TYPE

Also in the Series | **AMP Auto Squib Products**



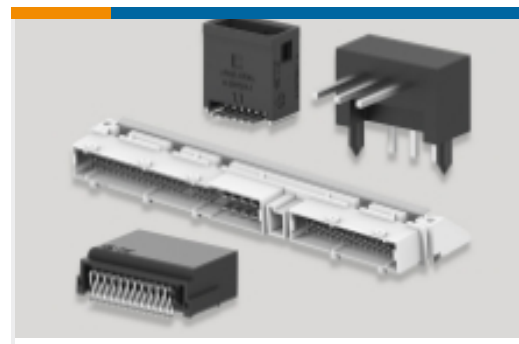
Automotive Housings(13)



Automotive Terminals(2)



Other Automotive Connector Accessories(8)



PCB Headers & Receptacles(1)

Customers Also Bought



TE Part #1-353908-6
CT REC HSG 16P CRIMP TYPE WHIT



TE Part #917309-1
MINI MLC CONN. TAB CONT.



TE Part #178125-1
U/POWER PLUG HSG 2P 7.92M/M



TE Part #1217281-3
FF 110 REC 24-20AWG BR



TE Part #316390-7
CAVITY PLUG FOR MINI M/LOCK



TE Part #175024-1
250 PL EX REC. 15-10AWG PTBR



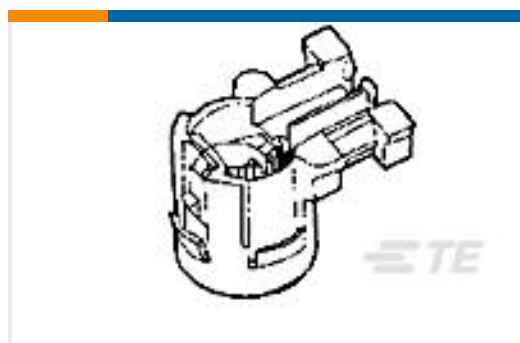
TE Part #2822344-1
MINI MLC CAP HSG ASSY 7P



TE Part #1376477-6
2.5MM PITCH SIGNAL MATE CONN



TE Part #353376-3
SQUIB CONT 1MM PIN DIA SOCKET



TE Part #353744-7
SQUIB AIRBAG/HSG-MAIN

Documents

Product Drawings

[11DIA SQUIB SLIM MK-2 PLUG HSG](#)

Japanese

[11DIA SQUIB SLIM MK-2 PLUG HSG](#)

English

CAD Files

Customer View Model

[ENG_CVM_CVM_1612120-3_C.2d_dxf.zip](#)



English

[3D PDF](#)

3D

Customer View Model

[ENG_CVM_CVM_1612120-3_C.3d_igs.zip](#)

English

Customer View Model

[ENG_CVM_CVM_1612120-3_C.3d_stp.zip](#)

English

By downloading the CAD file I accept and agree to the [Terms and Conditions](#) of use.

Product Specifications

[11DIA SQUIB CONNECTOR SLIM TYPE MK-II](#)

English

[11DIA SQUIB CONNECTOR SLIM TYPE MK-II](#)

English

[11DIA SQUIB CONNECTOR SLIM TYPE MK-II](#)

English

[11DIA SQUIB CONNECTOR SLIM TYPE MK-II](#)

English

[11DIA SQUIB CONNECTOR SLIM TYPE MK-II](#)

English

[11DIA SQUIB CONNECTOR SLIM TYPE MK-II](#)

English

[11DIA SQUIB CONNECTOR SLIM TYPE MK-II](#)

Japanese

[11DIA SQUIB CONNECTOR SLIM TYPE MK-II](#)

Japanese

[11DIA SQUIB CONNECTOR SLIM TYPE MK-II](#)

English

[11DIA SQUIB CONNECTOR SLIM TYPE MK-II](#)

English

Product Environmental Compliance

[Product Compliance](#)

English

[Product Compliance](#)

English

Instruction Sheets

[11dia squib connector checker](#)

Japanese

[Instruction Sheet \(non U.S.\)](#)

Japanese

1612120-3

Housing for Female Terminals, Wire-to-Board / Wire-to-Device, 2 Position, .122 in [3.1 mm] Centerline, Orange, AMP Auto Squib Products

