

1534594-2 ✓ ACTIVE

AMP | MCON Interconnection System

TE Internal #: 1534594-2

Automotive Terminals, Receptacle, Mating Tab Width 1.2 mm [.047 in], Tab Thickness .024 in [.6 mm], 23 – 22 AWG Wire Size, MCON Interconnection System

[View on TE.com >](#)



Terminals & Splices > Automotive Terminals > MCON, RECEPTACLE AND TAB



Terminal Type: **Receptacle**

Mating Tab Width: **1.2 mm [.047 in]**

Mating Tab Thickness: **.6 mm [.024 in]**

Terminal Transmits: **0 – 24 A (Low Power)**

Wire Size: **23 – 22 AWG**

[All MCON, RECEPTACLE AND TAB \(103\)](#)

## Features

### Product Type Features

Receptacle Style	180°
Sealable	No
Primary Locking Feature	Clean Body

### Contact Features

Contact Size	1.2mm
Contact Fabrication	Stamped & Formed
Typical Current Rating	8.75 A
Crimp Type	F-Crimp
Terminal Type	Receptacle
Mating Tab Width	1.2 mm[.047 in]
Mating Tab Thickness	.6 mm[.024 in]
Interface Plating	Gold (Au)

### Termination Features

Termination Method to Wire & Cable	Crimp
Product Terminates To	Wire

### Dimensions



Wire Size	.25 – .35 mm <sup>2</sup>
Wire Size Search	22 AWG, 23 AWG
Wire Insulation Diameter	1.1 – 1.75 mm [.043 – .069 in]

### Usage Conditions

Insulation Option	Uninsulated
Operating Temperature (Max)	80 °C, 85 °C, 90 °C, 100 °C, 105 °C, 110 °C, 120 °C, 125 °C, 130 °C, 140 °C, 145 °C, 150 °C [176 °F][185 °F][194 °F][212 °F][221 °F][230 °F][248 °F][257 °F][266 °F][284 °F][293 °F][302 °F]
Operating Temperature Range	-40 – 150 °C [-40 – 302 °F]

### Operation/Application

Compatible With Wire Base Material	Copper
------------------------------------	--------

### Packaging Features

Packaging Method	Reel
Packaging Quantity	10000

### Other

Terminal Transmits	0 – 24 A (Low Power)
--------------------	----------------------

## Product Compliance

[For compliance documentation, visit the product page on TE.com>](#)

EU RoHS Directive 2011/65/EU	Compliant
EU ELV Directive 2000/53/EC	Compliant
China RoHS 2 Directive MIIT Order No 32, 2016	No Restricted Materials Above Threshold
EU REACH Regulation (EC) No. 1907/2006	Current ECHA Candidate List: JUNE 2022 (224) Candidate List Declared Against: JAN 2022 (223) SVHC > Threshold: Not Yet Reviewed
Halogen Content	Low Halogen - Br, Cl, F, I < 900 ppm per homogenous material. Also BFR/CFR/PVC Free
Solder Process Capability	Not applicable for solder process capability

Product Compliance Disclaimer

This information is provided based on reasonable inquiry of our suppliers and represents our current actual knowledge based on the information they provided. This information is subject to change. The part numbers that TE has identified as EU RoHS compliant have a maximum concentration of 0.1% by weight in homogenous materials for lead, hexavalent chromium, mercury, PBB, PBDE, DBP, BBP, DEHP, DIBP, and 0.01% for cadmium, or qualify for an exemption to these limits as defined in the Annexes of Directive 2011/65/EU (RoHS2). Finished electrical and electronic equipment products will be CE marked as required by Directive 2011/65/EU. Components may not be CE marked. Additionally, the part numbers that TE has identified as EU ELV compliant have a maximum concentration of 0.1% by weight in homogenous materials for lead, hexavalent chromium, and mercury, and 0.01% for cadmium, or qualify for an exemption to these limits as defined in the Annexes of Directive 2000/53/EC (ELV). Regarding the REACH Regulation, the information TE provides on SVHC in articles for this part number is based on the latest European Chemicals Agency (ECHA) 'Guidance on requirements for substances in articles' posted at this URL: <https://echa.europa.eu/guidance-documents/guidance-on-reach>

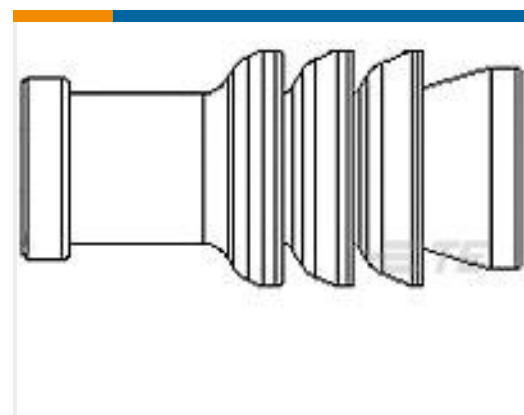
## Compatible Parts



TE Part # 1452426-1  
EXTRACTION TOOL



TE Part # 964972-1  
EINZELLEITERDICHTNG



TE Part # 967067-2  
MQS EINZELLEITDICHT



TE Part # 2305570-1  
TERMINAL CUTTER, SIDE FEED



TE Part # CAT-M4595-CH8172  
MCON, CONNECTOR HOUSING



TE Part # CAT-AM705-CH8172  
AMP MCP, SEALED CONNECTOR HOUSING



TE Part # 1718348-2  
MCON 1.2 CB TAB STC AU



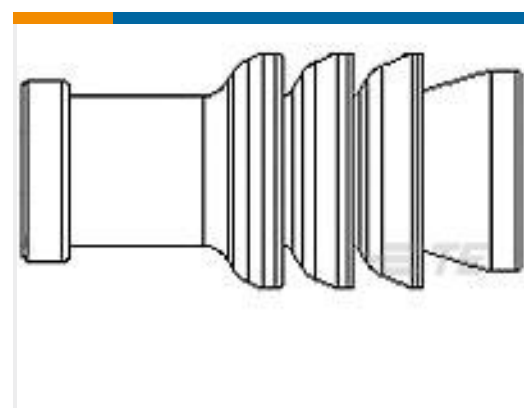
TE Part # 1-1579007-0  
EXTRACTION TOOL



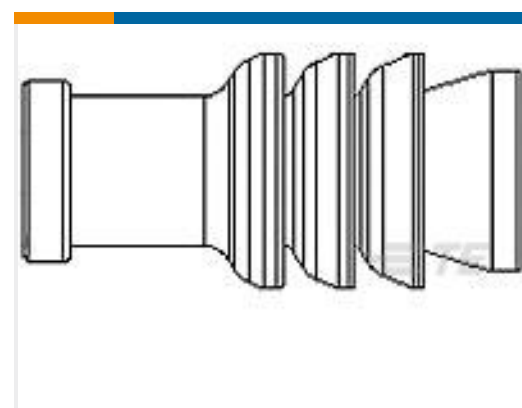
TE Part # 8-1579008-4  
EXTRACTION TOOL



TE Part # 1579007-8  
EXTRACTION TOOL



TE Part # 967056-1  
MQS BLINDSTOPFEN4MM



TE Part # 967067-1  
MQS SGL WIRE SEAL



TE Part # 1-2208720-1  
105POS,MCON 1.2 CB,REC HSG, ASSY,SLD



TE Part # 1-2316374-1  
48POS,MCON 1.2,REC HSG ASSY,SLD, COD NEUT



TE Part # 1-2316374-2  
48POS,MCON 1.2,REC HSG ASSY,SLD, COD NEUT



TE Part # 1-2316374-3  
48POS,MCON 1.2,REC HSG ASSY,SLD, COD NEUT




TE Part # 1-2316374-4  
48POS,MCON 1.2,REC HSG ASSY,SLD,  
COD NEUT



TE Part # 1-2366768-1  
4POS,MCON 1.2,REC HSG ASSY,COD  
A




TE Part # 1579028-5  
EXTRACTION TOOL

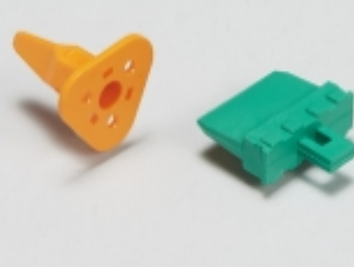


TE Part # 2-2151070-1  
OCEAN\_2.0\_APPLICATOR-S-  
130F180OV


Also in the Series | MCON Interconnection System




Automotive Connector Caps & Covers  
(24)




Automotive Connector Locks &  
Position Assurance(11)




Automotive Housings(288)




Automotive Seals & Cavity Plugs(4)



Automotive Terminals(113)



Insertion & Extraction Tools(31)



Other Automotive Connector  
Accessories(6)



PCB Headers & Receptacles(1)

Customers Also Bought



TE Part #2289523-1  
MCON, CONNECTOR HOUSING



TE Part #928927-4  
RINGTONGUE



TE Part #5-965906-1  
MQS0,63 Sn rec LL EDS 0,5-0,75



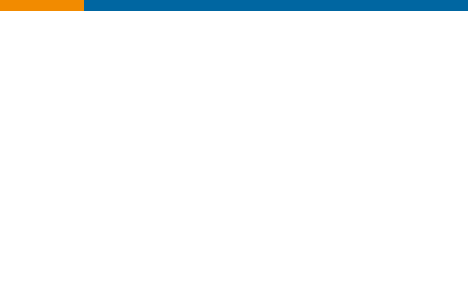
TE Part #1-962846-2  
TAB 5.8x0.8 CONTACT CS SRC Ag



TE Part #2-2328752-4  
TAB 2.8x0.8 CONTACT CF SWS Ag+



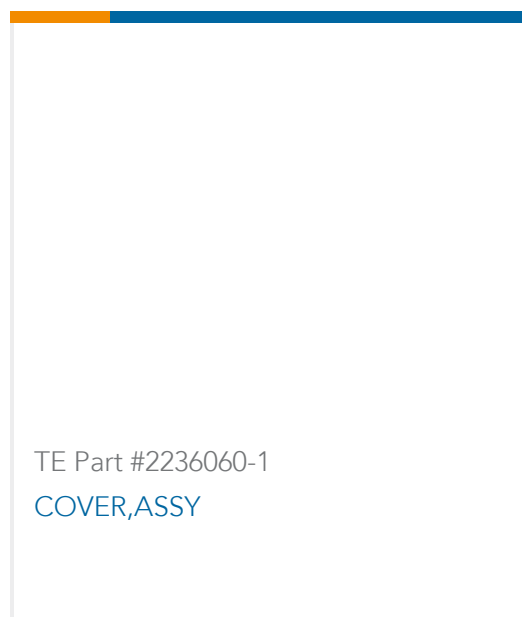
TE Part #5053296194  
RNF-100-1-0-60MM



TE Part #537637P035  
SCT-NO.3-E3-0-65MM



TE Part #3-2236343-1  
3POS, MCON 1.2 LL REC SEALED



## Documents

### Product Drawings

[MCON 1.2 CB REC SRC AU](#)

German

### CAD Files

Customer View Model

[ENG\\_CVM\\_CVM\\_1534594-2\\_E.2d\\_dxf.zip](#)

English

[3D PDF](#)

3D

Customer View Model

[ENG\\_CVM\\_CVM\\_1534594-2\\_E.3d\\_igs.zip](#)

English

Customer View Model

[ENG\\_CVM\\_CVM\\_1534594-2\\_E.3d\\_stp.zip](#)

English

By downloading the CAD file I accept and agree to the [Terms and Conditions](#) of use.

### Datasheets & Catalog Pages

[MCON Interconnection System](#)

English

### Product Specifications

[Product Specification](#)

English

### Product Environmental Compliance

[Product Compliance](#)

English

[Product Compliance](#)

English