

TE Internal #: 1544459-1

Housing for Male Terminals, Wire-to-Wire, 2 Position, .429 in [10.9 mm] Centerline, Black, Power, Cable Mount (Free-Hanging)

[View on TE.com >](#)



Connectors > Automotive Connectors > Connector Housings



Connector & Housing Type: **Housing for Male Terminals**

Mating Tab Width: **8 mm [.315 in]**

Connector System: **Wire-to-Wire**

Number of Positions: **2**

Centerline (Pitch): **10.9 mm [.429 in]**

Features

Product Type Features

Connector & Housing Shape	Rectangular
Connector & Housing Type	Housing for Male Terminals
Connector System	Wire-to-Wire
Sealable	No
Hybrid Connector	No
Primary Locking Feature	Integrated in Housing

Configuration Features

Number of Positions	2
Number of Rows	1

Electrical Characteristics

Nominal Voltage Architecture	12 V
------------------------------	------

Body Features

Cable Exit Angle	180°
Body Material	PA
Primary Product Color	Black



Contact Features

Contact Size	8mm
Contact Type	Tab
Mating Tab Width	8 mm [.315 in]

Mechanical Attachment

Mounting Feature	Without
Terminal Position Assurance	No
Strain Relief	Without
Mating Alignment Type	Keyed
Mating Alignment	With
Connector Mounting Type	Cable Mount (Free-Hanging)

Housing Features

Centerline (Pitch)	10.9 mm [.429 in]
--------------------	-------------------

Dimensions

Product Width	38.3 mm [1.51 in]
Product Length	29.1 mm [1.14 in]
Product Height	16.8 mm [.661 in]

Usage Conditions

Operating Temperature (Max)	70 °C, 75 °C, 80 °C, 85 °C [158 °F][167 °F] [176 °F][185 °F]
Operating Temperature Range	-40 – 85 °C [-40 – 185 °F]

Operation/Application

Circuit Application	Power
---------------------	-------

Industry Standards

UL Flammability Rating	UL 94HB
------------------------	---------

Packaging Features

Packaging Quantity	750
Packaging Method	Box

Other

Serviceable	Yes
Connector Position Assurance Capable	No



Product Compliance

[For compliance documentation, visit the product page on TE.com>](#)

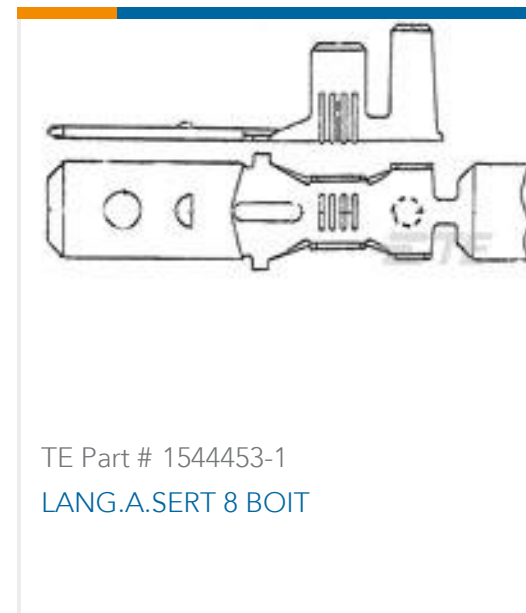
EU RoHS Directive 2011/65/EU	Compliant
EU ELV Directive 2000/53/EC	Compliant
China RoHS 2 Directive MIIT Order No 32, 2016	No Restricted Materials Above Threshold
EU REACH Regulation (EC) No. 1907/2006	Current ECHA Candidate List: JUNE 2022 (224) Candidate List Declared Against: JUL 2017 (174) SVHC > Threshold: Not Yet Reviewed
Halogen Content	Low Halogen - Br, Cl, F, I < 900 ppm per homogenous material. Also BFR/CFR/PVC Free
Solder Process Capability	Not applicable for solder process capability

Product Compliance Disclaimer

This information is provided based on reasonable inquiry of our suppliers and represents our current actual knowledge based on the information they provided. This information is subject to change. The part numbers that TE has identified as EU RoHS compliant have a maximum concentration of 0.1% by weight in homogenous materials for lead, hexavalent chromium, mercury, PBB, PBDE, DBP, BBP, DEHP, DIBP, and 0.01% for cadmium, or qualify for an exemption to these limits as defined in the Annexes of Directive 2011/65/EU (RoHS2). Finished electrical and electronic equipment products will be CE marked as required by Directive 2011/65/EU. Components may not be CE marked. Additionally, the part numbers that TE has identified as EU ELV compliant have a maximum concentration of 0.1% by weight in homogenous materials for lead, hexavalent chromium, and mercury, and 0.01% for cadmium, or qualify for an exemption to these limits as defined in the Annexes of Directive 2000/53/EC (ELV). Regarding the REACH Regulation, the information TE provides on SVHC in articles for this part number is based on the latest European Chemicals Agency (ECHA) 'Guidance on requirements for substances in articles' posted at this URL: <https://echa.europa.eu/guidance-documents/guidance-on-reach>

Compatible Parts

 <p>TE Part # 1-1379200-1 ALU FERRULE GDL 5G</p>	 <p>TE Part # 1-1718290-1 CLIP SPRING</p>	 <p>TE Part # 1544452-1 LANG.A.SERT 8X1 BO</p>	 <p>TE Part # 1544455-1 CLIP8MM ECHANCRE S</p>
---	--	---	---



Customers Also Bought



Documents

Product Drawings

[BOITIER PL 8 MM 2](#)

French

CAD Files

[3D PDF](#)

3D

Customer View Model

[ENG_CVM_CVM_1544459-1_B.2d_dxf.zip](#)

English

Customer View Model

[ENG_CVM_CVM_1544459-1_B.3d_igs.zip](#)

English

Customer View Model

[ENG_CVM_CVM_1544459-1_B.3d_stp.zip](#)

English

By downloading the CAD file I accept and agree to the [Terms and Conditions](#) of use.