

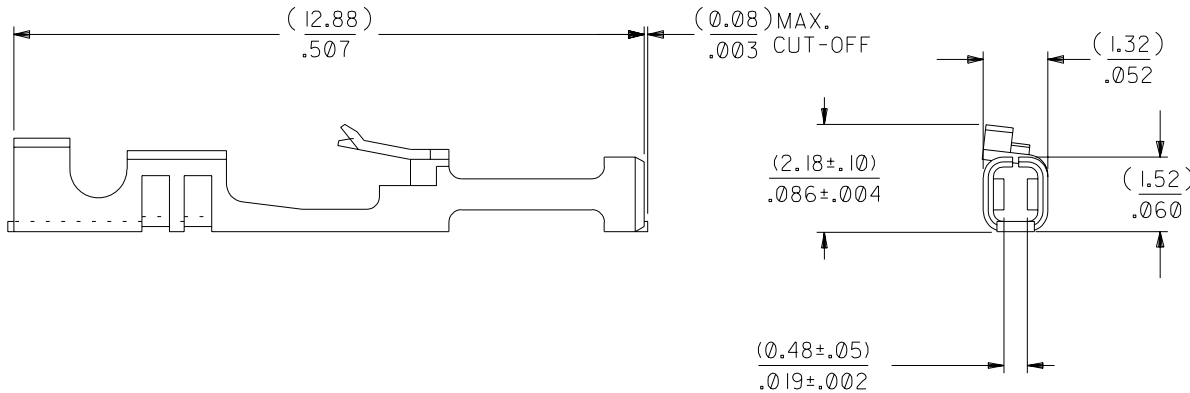
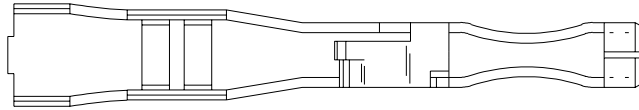
NOTES:

1. TERMINAL TO BE USED IN HOUSINGS 70066-**** AND 70450-****
2. REFER TO PRODUCT SPECIFICATION PS-71851
3. REFER TO MOLEX OPERATIONS AND SERVICE MANUAL FOR CRIMP DETAILS
4. TERMINAL TO BE USED WITH (0.64)/.025 SQUARE PINS
5. TERMINAL TO BE USED WITH 22-24 AWG STRANDED WIRE WITH (1.63)/.064 MAX. DIA. INSULATION
6. TERMINALS SUPPLIED IN REEL FORM

PLATING:

.000030 MINIMUM GOLD PLATE IN SELECT AREA WITH .000075 MINIMUM TIN PLATE IN SELECT AREA OVER NICKEL PLATE OVERALL

*THE PRIMARY SHIPPING CARTON WILL BE LABELED "COMPLIANT TO RoHS DIRECTIVE 2002/95/EC AND ELV ANNEX II OF DIRECTIVE 2000/53/EC". CARTONS WITHOUT THIS LABEL MAY CONTAIN PRODUCT WITH LEAD.



A

				C I	LEAD FREE UCP2004-1769 RWHITE 04/03/24
				C	REVISE PER ECR# U82219 11-07-88 MJM/MGB
				B	REVISE PER ECR #U80064 3/25/88 MJM
LTR.	REVISIONS	LTR.	REVISIONS		

DIMENSIONS SHOWN (METRIC) INCH	
UNLESS OTHERWISE SPECIFIED TOLERANCES: ANGULAR ± 1/2°	
3 PLACE	± .010 ---
2 PLACE	± .014 ± 0.25
1 PLACE	--- ± 0.35
DRAFT WHERE APPLICABLE MUST REMAIN WITHIN DIMENSIONS	
DRWG. BY: MJM	CHK'D. BY: MJM
APP'D. BY: WAZ	SCALE 10: 1

▽ = 0		▼ = 0		REVISE ONLY ON CAD SYSTEM	
TITLE TERMINAL-BOX/CRIMP HIGH FORCE CONTACT					
MOLEX INCORPORATED LISLE, ILL. 60532 U.S.A.		SHEET NO. 1		DATE 03/25/88	
PART NO. 016-02-1111		DRWG. NO. SD-71851-0026			
FILE NAME S71851X7		THIS DRAWING CONTAINS INFORMATION THAT IS PROPRIETARY TO MOLEX INC. AND SHOULD NOT BE USED WITHOUT WRITTEN PERMISSION.			
DIV. DA		SIZE B			