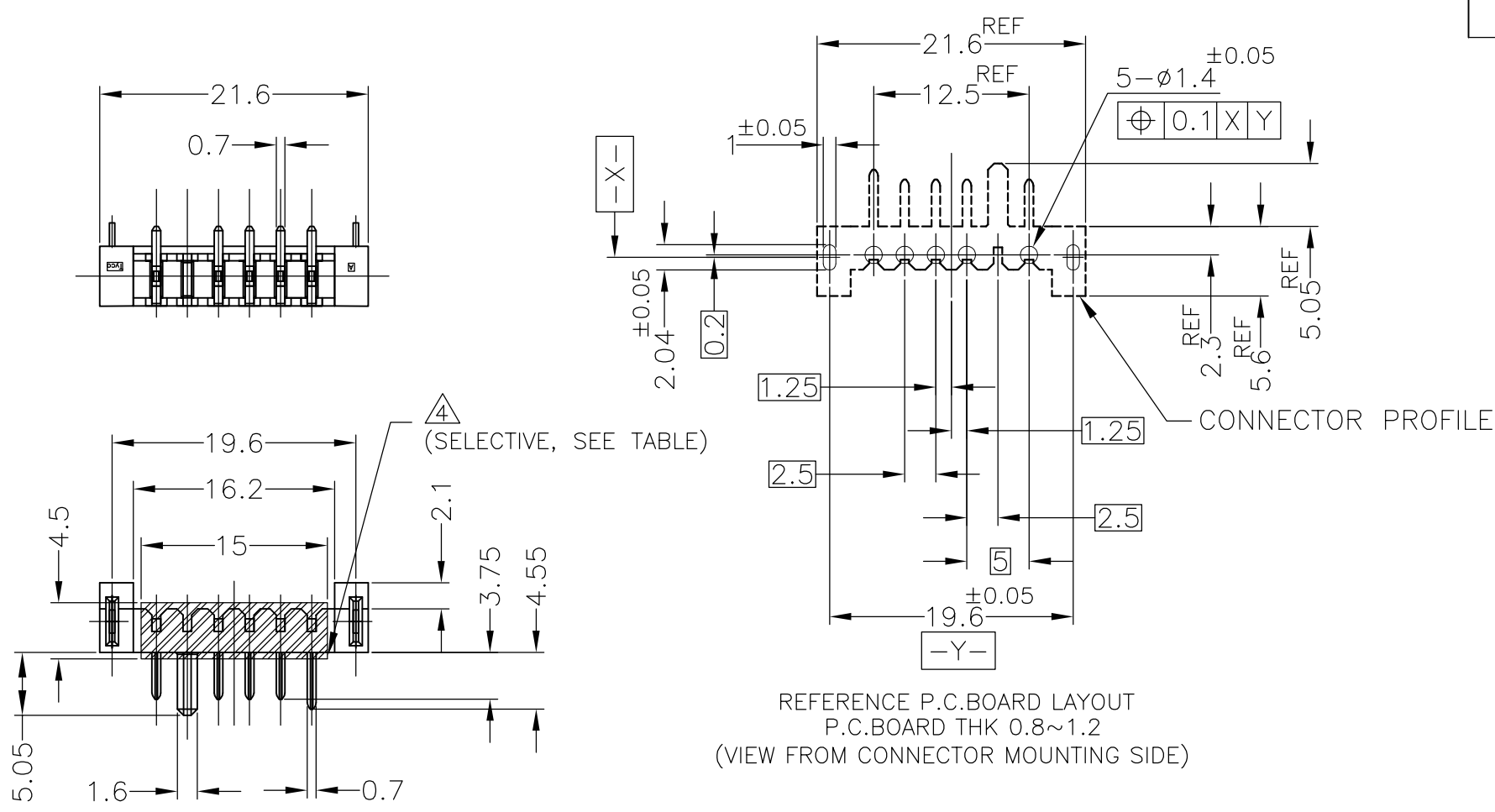


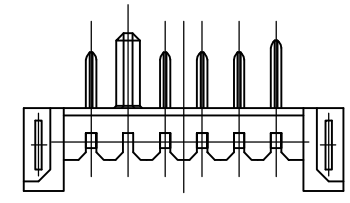
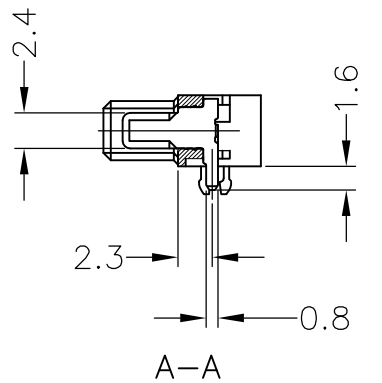
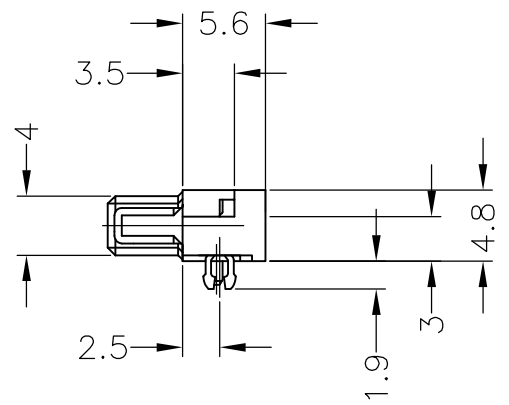
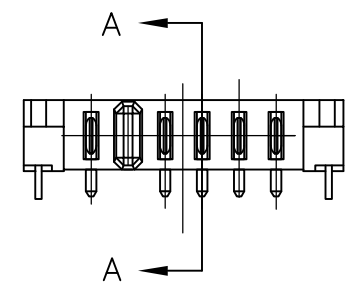
THIS DRAWING IS UNPUBLISHED. RELEASED FOR PUBLICATION JUL ,2002.
 © COPYRIGHT 2002 BY TYCO ELECTRONICS CORPORATION. ALL RIGHTS RESERVED.

LOC	DIST	REVISIONS			
P	LTR	DESCRIPTION	DATE	DWN	APVD
	C	REVISED	ECR-06-002841	17JAU2006	A.S S.Y



- ① MATERIAL HOUSING : THERMOPLASTIC RESIN, UL94V-0
 COLOR ; BLACK
 CONTACT : COPPER ALLOY
 RETENTION LEG : COPPER ALLOY
- ② FINISH CONTACT : Ni ALL OVER UNDER PL.
 GOLD PL. AT CONTACT AREA
 TIN-LEAD PL. AT LEAD AREA
 RETENTION LEG : Ni ALL OVER UNDER PL.
 TIN-LEAD PL.
- ③ FINISH CONTACT : Ni ALL OVER UNDER PL.
 GOLD PL. AT CONTACT AREA
 GOLD FLASH PL. AT LEAD AREA
 RETENTION LEG : Ni ALL OVER UNDER PL.
 TIN PL.
- ④ POLYIMIDE FILM: JUST FOR CHIP MOUNTER WORK

REFERENCE P.C.BOARD LAYOUT
 P.C.BOARD THK 0.8~1.2
 (VIEW FROM CONNECTOR MOUNTING SIDE)



W/ POLYIMIDE FILM	③	9-1612503-2
W/O POLYIMIDE FILM	③	9-1612503-1
W/O POLYIMIDE FILM	②	1612503-1
REMARK	FINISH	PART NO.

THIS DRAWING IS A CONTROLLED DOCUMENT.		DWN T.KATANO 22JUL02	Tyco Electronics Corporation Shanghai PRC	
DIMENSIONS: mm		CHK K.IKEGAMI 22JUL02		
TOLERANCES UNLESS OTHERWISE SPECIFIED:		APVD K.KODAIRA 22JUL02	NAME PLUG ASSEMBLY 2.5mm PITCH BATTERY CONNECTOR 5POS.	
0-PLC ± 0.3 1-PLC ± 0.3 2-PLC ± 0.3 3-PLC ± 0.3 4-PLC ± 0.3 ANGLES ± 3°		PRODUCT SPEC 108-5783	SIZE A3	
MATERIAL ①		FINISH SEE TABLE	CAGE CODE 00779	DRAWING NO C-1612503
		WEIGHT	RESTRICTED TO	
		CUSTOMER DRAWING	SCALE 4:1	SHEET 1 OF 1
			REV C	