



NG Power Terminals and Connectors, NG1

TE Internal #: 1544970-2

Automotive Seals & Cavity Plugs, Single Wire Seal (SWS), Cavity Diameter .413 in [10.5 mm], Silicone, Poor, 50, NG Power Terminals and Connectors

[View on TE.com >](#)

Connectors > Automotive Connectors > Seals & Cavity Plugs



Connector Seal Type: **Single Wire Seal (SWS)**

Cavity Diameter: **10.5 mm [.413 in]**

Accepts Cable Insulation Diameter Range: **4.1 – 5 mm [.161 – .197 in]**

Seal Material: **Silicone**

Resistance to Hydrocarbons: **Poor**

Features

Product Type Features

Connector Seal Type	Single Wire Seal (SWS)
---------------------	------------------------

Body Features

Seal Material	Silicone
---------------	----------

Primary Product Color	Blue
-----------------------	------

Dimensions

Cavity Diameter	10.5 mm[.413 in]
-----------------	------------------

Accepts Cable Insulation Diameter Range	4.1 – 5 mm[.161 – .197 in]
---	----------------------------

Usage Conditions

Operating Temperature (Max)	65 °C, 70 °C, 75 °C, 80 °C, 85 °C, 90 °C, 100 °C, 105 °C, 110 °C, 120 °C, 125 °C, 130 °C [149 °F][158 °F][167 °F][176 °F][185 °F][194 °F][212 °F][221 °F][230 °F][248 °F][257 °F][266 °F]
-----------------------------	---

Operating Temperature Range	-40 – 130 °C[-40 – 266 °F]
-----------------------------	----------------------------

Industry Standards

UL Flammability Rating	None
------------------------	------

Other

Resistance to Hydrocarbons	Poor
----------------------------	------

Shore A Hardness	50
------------------	----



Contains Lubricant	Yes
--------------------	-----

Product Compliance

[For compliance documentation, visit the product page on TE.com>](#)

EU RoHS Directive 2011/65/EU	Compliant
EU ELV Directive 2000/53/EC	Compliant
China RoHS 2 Directive MIIT Order No 32, 2016	No Restricted Materials Above Threshold
EU REACH Regulation (EC) No. 1907/2006	Current ECHA Candidate List: JUNE 2022 (224) Candidate List Declared Against: JAN 2022 (223) SVHC > Threshold: Not Yet Reviewed
Halogen Content	BFR/CFR/PVC Free, but Br/Cl >900 ppm in other sources.
Solder Process Capability	Not applicable for solder process capability

Product Compliance Disclaimer

This information is provided based on reasonable inquiry of our suppliers and represents our current actual knowledge based on the information they provided. This information is subject to change. The part numbers that TE has identified as EU RoHS compliant have a maximum concentration of 0.1% by weight in homogenous materials for lead, hexavalent chromium, mercury, PBB, PBDE, DBP, BBP, DEHP, DIBP, and 0.01% for cadmium, or qualify for an exemption to these limits as defined in the Annexes of Directive 2011/65/EU (RoHS2). Finished electrical and electronic equipment products will be CE marked as required by Directive 2011/65/EU. Components may not be CE marked. Additionally, the part numbers that TE has identified as EU ELV compliant have a maximum concentration of 0.1% by weight in homogenous materials for lead, hexavalent chromium, and mercury, and 0.01% for cadmium, or qualify for an exemption to these limits as defined in the Annexes of Directive 2000/53/EC (ELV). Regarding the REACH Regulation, the information TE provides on SVHC in articles for this part number is based on the latest European Chemicals Agency (ECHA) 'Guidance on requirements for substances in articles' posted at this URL: <https://echa.europa.eu/guidance-documents/guidance-on-reach>

Compatible Parts



TE Part # 1544980-1
TAB HOUSING, 8MM NG1 PLUS, 2 WAY



TE Part # 1544965-1
8MM NG1+ TERMINAL



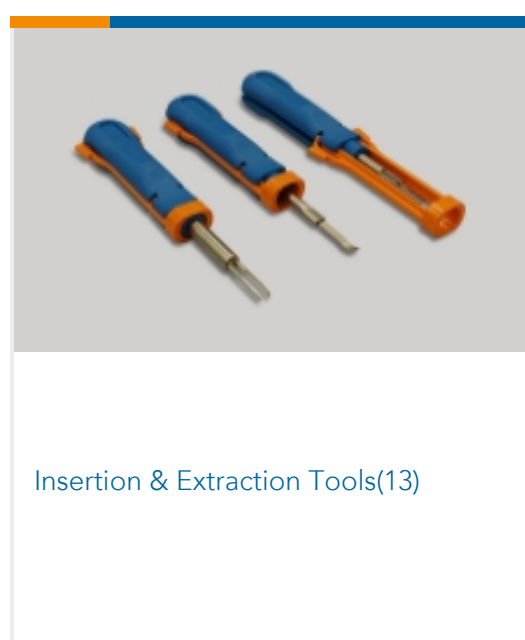
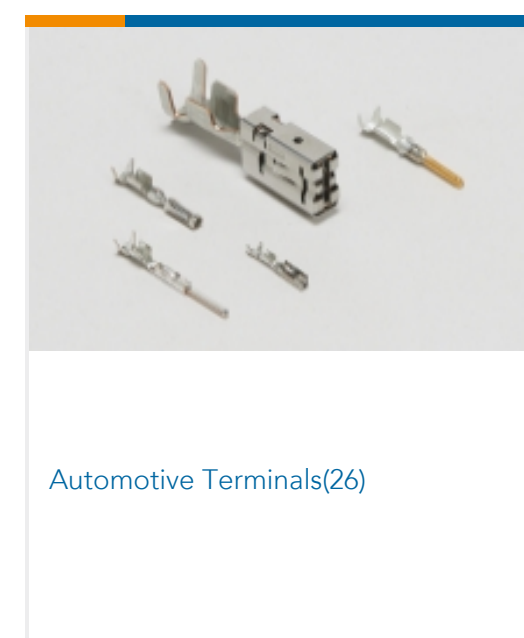
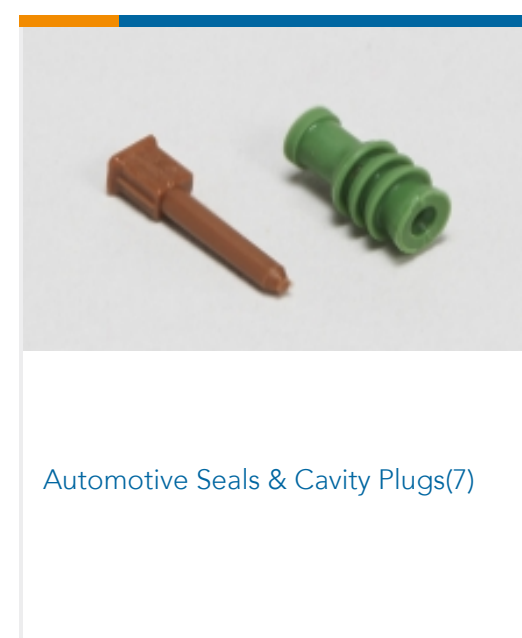
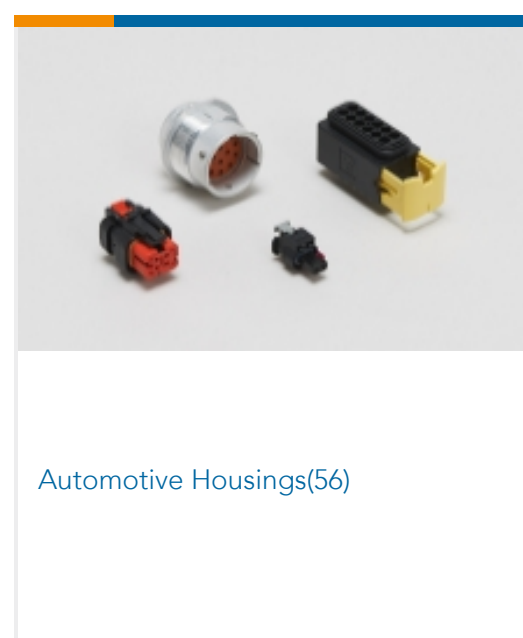
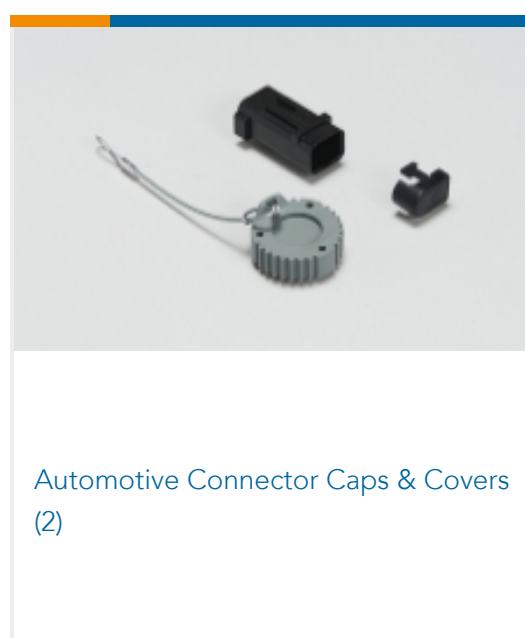
TE Part # 1544680-3
RECPT HSG ASSY, 8MM NG1, 1W, SEALED, CPA



TE Part # 1544965-2
8MM NG1+ TERMINAL



Also in the Series | NG Power Terminals and Connectors



Also in the Series | NG1



Automotive Connector Caps & Covers (2)



Automotive Housings(47)



Automotive Seals & Cavity Plugs(8)

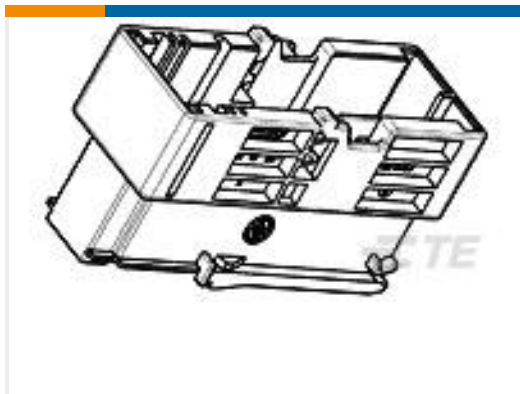


Automotive Terminals(18)



Insertion & Extraction Tools(12)

Customers Also Bought



TE Part #1379325-1
52W HYB TAB HSG BLACK



TE Part #4-953892-1
MQS, CONNECTOR HOUSING



TE Part #1544980-1
TAB HOUSING, 8MM NG1 PLUS, 2 WAY



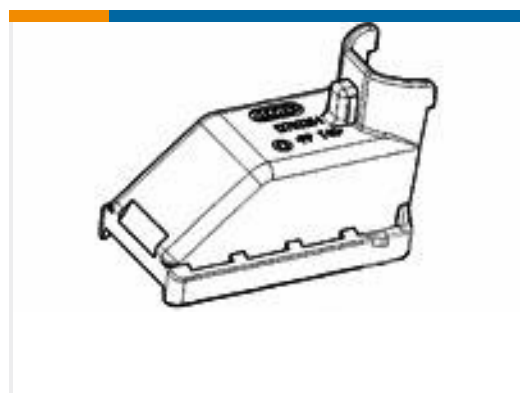
TE Part #170002-5
SHUR PLUG 20-14 AWG 0.5 X 11.44 TPBR



TE Part #170003-5
SHUR PLUG 156 REC 20-14 AWG TPBR



TE Part #1544967-1
TAB, 8MM NG1 PLUS



TE Part #1379326-1
COVER FOR 52W HYB CONNECT



TE Part #1544968-1
TAB, 8MM NG1 PLUS



TE Part #1801764-1
FUSES AND RELAYS HOLDER, 36 MINIFUSES V2

Documents



Product Drawings

SEAL, NG9K

English

CAD Files

Customer View Model

[ENG_CVM_CVM_1544970-2_A.2d_dxf.zip](#)

English

3D PDF

3D

Customer View Model

[ENG_CVM_CVM_1544970-2_A.3d_igs.zip](#)

English

Customer View Model

[ENG_CVM_CVM_1544970-2_A.3d_stp.zip](#)

English

By downloading the CAD file I accept and agree to the [Terms and Conditions](#) of use.

Product Specifications

Product Specification

English

Product Environmental Compliance

Product Compliance

English

Product Compliance

English

Instruction Sheets

Instruction Sheet (non U.S.)

English