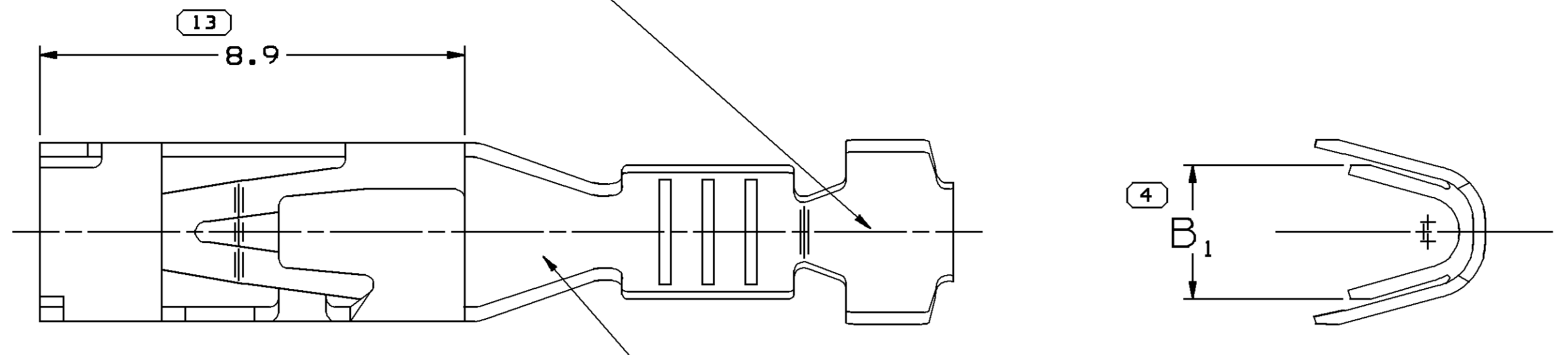
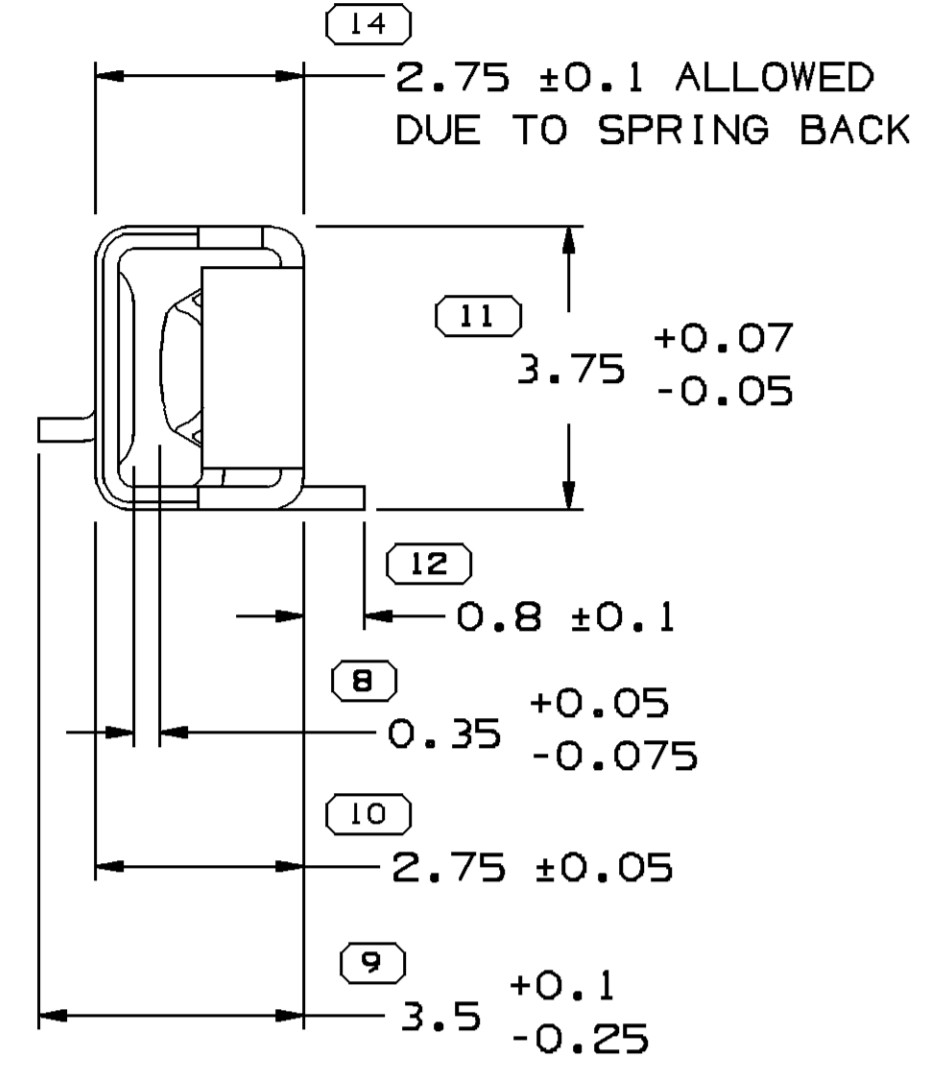


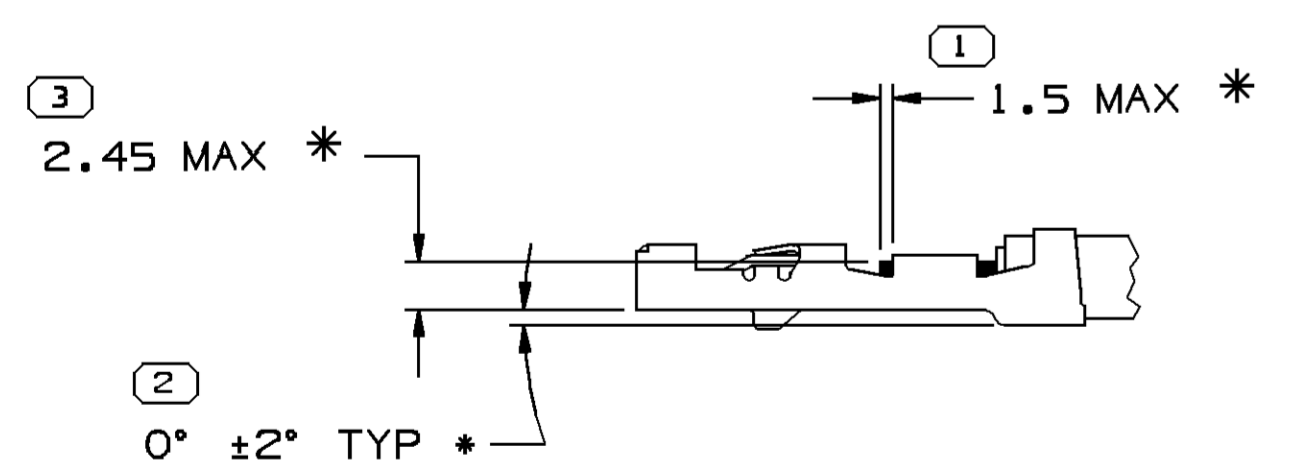
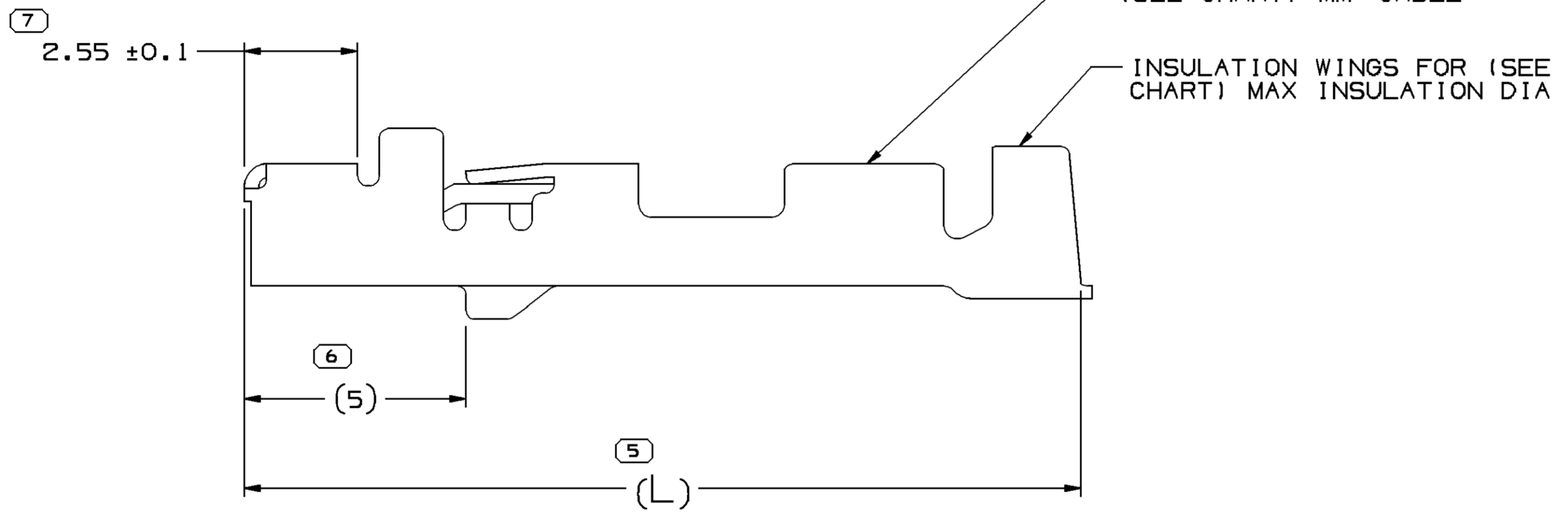
SYMBOL DEFINITION		MISSING SYMBOLS	
A DIMENSION WITHOUT AN INSPECTION REPORT SYMBOL DOES NOT REQUIRE INSPECTION. IT MAY BE CONTROLLED ON THE INDIVIDUAL COMPONENT DRAWING.	TOTAL NO OF INSPECTIONS REQUIRED	NO MISSING SYMBOL NUMBER	
	14		
	LAST NO. USED		
	14		

DWG STATUS		ZONE		REVISION HISTORY		AUTH	DR	APVD1	APVD2
DATE	STG	REV	N/P	CHG					
30JL02	R	14	-	-	CLEARED REV COLUMN; ALL PARTS - UPDATED PDM ATTRIBUTES	226419	LOA	FRG	TTP
24JA03	R	15	-	-	ADVANCED REVISION LEVEL	235918	LMB	LMB	TV
22JL03	R	16	-	-	ADDED DIM 2.75±0.1 FOR SPRING BACK	243779	RH	RH	SCH
23JA04	R	17	-	-	ADVANCED REVISION LEVEL	251141	LMB	LMB	LN
24SE04	R	18	-	-	ADDED TERMINAL I.D. NOTE	259075	MDH	AUG	MKM
130C04	R	19	-	-	15304710-12 - UPDATED PDM ATTRIBUTES	259807	FKV	FKV	MY
09MY05	R	20	-	-	15345940 - RELEASED	267887	GLG	JVM	CM
14DE05	R	21	-	-	ALL PARTS - UPDATED PDM ATTRIBUTES	275556	CJP	CJP	MC
09MR06	R	22	-	-	12191133, 15304710-13 - UPDATED PDM ATTRIBUTES	276501	JBD	AUG	JES

STAMP CABLE I.D. (SEE CHART) ON UNDERSIDE IN THIS AREA WITH 0.8 MIN HIGH NUMBERS.



STAMP DIE I.D. "PXX" IN THIS AREA (0.6) CHARACTERS XX DESIGNATES DIE NUMBER, LOCATION APPROXIMATE.



TERMINAL AND CABLE ALIGNMENT  
SCALE 5:1

NOTES

- UNLESS OTHERWISE SPECIFIED AND/OR INDICATED:  
DIMENSIONS ARE TO FACE OF VIEW SHOWN AND AUTOMATICALLY ROUNDED BY COMPUTER FOR INSPECTION (SEE MATH MODEL FOR PRECISE DIMENSIONS). FOR ALL OTHER DIMENSIONS NOT SHOWN BUT REQUIRED FOR TOOL BUILD, SEE MATH MODEL FOR PRECISE TOOL PATH DATA.
- REFERENCE MATING COMPONENTS OR EQUIVALENT:  
TERMINAL 15304722
- \* DENOTES DIMENSIONS MADE AT CUT-OFF AND CRIMP DIE

PART NO	REV	N/P	STATUS	MAT'L SIZE	MAT'L SPEC	SIZE (MM²)	ID	DIA	TYPE	B <sub>1±0.2</sub>	(L)
15345940	01	AA		0.3 X 27.38	MO991762 C70250 ANNEALED	1.5-3	13	3.2-2.2	101	3.75	18.9
15427675	01	AD		0.3 X 27.38	M3659A23 C42500 EX HD	0.35-0.5	21	1.1-1.3	101	2.1	18.9
15336198	B4	-		0.3 X 27.38	M3659A23 C42500 EX HD	1.25-2.5	14	3-2.05	101	3.7	18.9
12191135	F4	-		0.3 X 27.38	M3659A23 C42500 EX HD	(2) 0.8	218	1.7-2.05	101	3.8	19.2
12191134	E4	-		0.3 X 27.38	M3659A23 C42500 EX HD	(2) 0.5	220	1.85-1.4	101	3.3	19.2
12191133	E5	-		0.3 X 27.38	M3659A23 C42500 EX HD	(2) 0.35	222	1.65-1.2	101	2.7	19.2
15304713	E5	-	RESTRICTED	0.3 X 27.38	M3659A23 C42500 EX HD	4-5	10	3.9-3.4	101	4.8	19.2
15304712	E7	-		0.3 X 27.38	M3659A23 C42500 EX HD	1.5-3	13	3.2-2.2	101	3.75	18.9
15304711	E7	-		0.3 X 27.38	M3659A23 C42500 EX HD	0.75-1	17	2.25-1.7	101	2.65	18.9
15304710	E7	-		0.3 X 27.38	M3659A23 C42500 EX HD	0.35-0.5	21	1.85-1.2	101	2.1	18.9
				PLATED				CABLE			

(11) PROCESS SENSITIVE DIMENSION
DIMENSIONS ENCLOSED IN ( ) INDICATE REFERENCE DIMENSIONS AND NO TOLERANCE LIMITS ARE ESTABLISHED
DIMENSIONAL RANGE (MM) CHART 6
FROM 0 TO 12
TOLERANCE UNLESS OTHERWISE SPECIFIED
±0.15 ±0.3
ANGULAR TOLERANCE ±2°

DWG TYPE	PART DRAWING
STYLE	
VOLUME (QTY)	DISTR CODE
	D
UNLESS OTHERWISE SPECIFIED	
THIS DOCUMENT IS IN ACCORDANCE WITH ASME Y14.5M-1994 AS AMENDED BY THE 2003 GLOBAL DIMENSIONING AND TOLERANCING ADDENDUM - 1997. ALL GEOMETRIC TOLERANCES AND RELATED DATUMS APPLY RFS. RULE #1 (PERFECT FORM AT MMC) DOES NOT APPLY WHEN RELATIONSHIP BETWEEN FEATURES IS ESTABLISHED BY ORIENTATION OR LOCATION TOLERANCES. SEPARATE POSITION CALLOUTS MAY BE GAGED SEPARATELY, REGARDLESS OF DATUM REFERENCE. ALL DIMENSIONS ARE IN MILLIMETERS	
REFERENCE	
THIRD ANGLE PROJECTION	DO NOT SCALE
USE MATH DATA	

**DELPHI**  
DELPHI PACKARD ELECTRIC SYSTEMS  
WARREN, OH

DR	DATE
APVD1 N. VERGARA	06FE96
APVD2 T. STEELE	08JN96
APVD3 S.C. HSIEH	28JN96
APVD4	
APVD5	

SUBSTANCES OF CONCERN AND RECYCLED CONTENT PER DELPHI 10949001

MATERIAL SEE CHART

DRAWING NAME  
TAXI TERM F 6T 280

DRAWING NUMBER  
15304709

SIZE	SCALE	FRAME NO	SHEET NO	STG	REV	N/P
A1	10:1	1 OF 1	1 OF 1	R	22	-