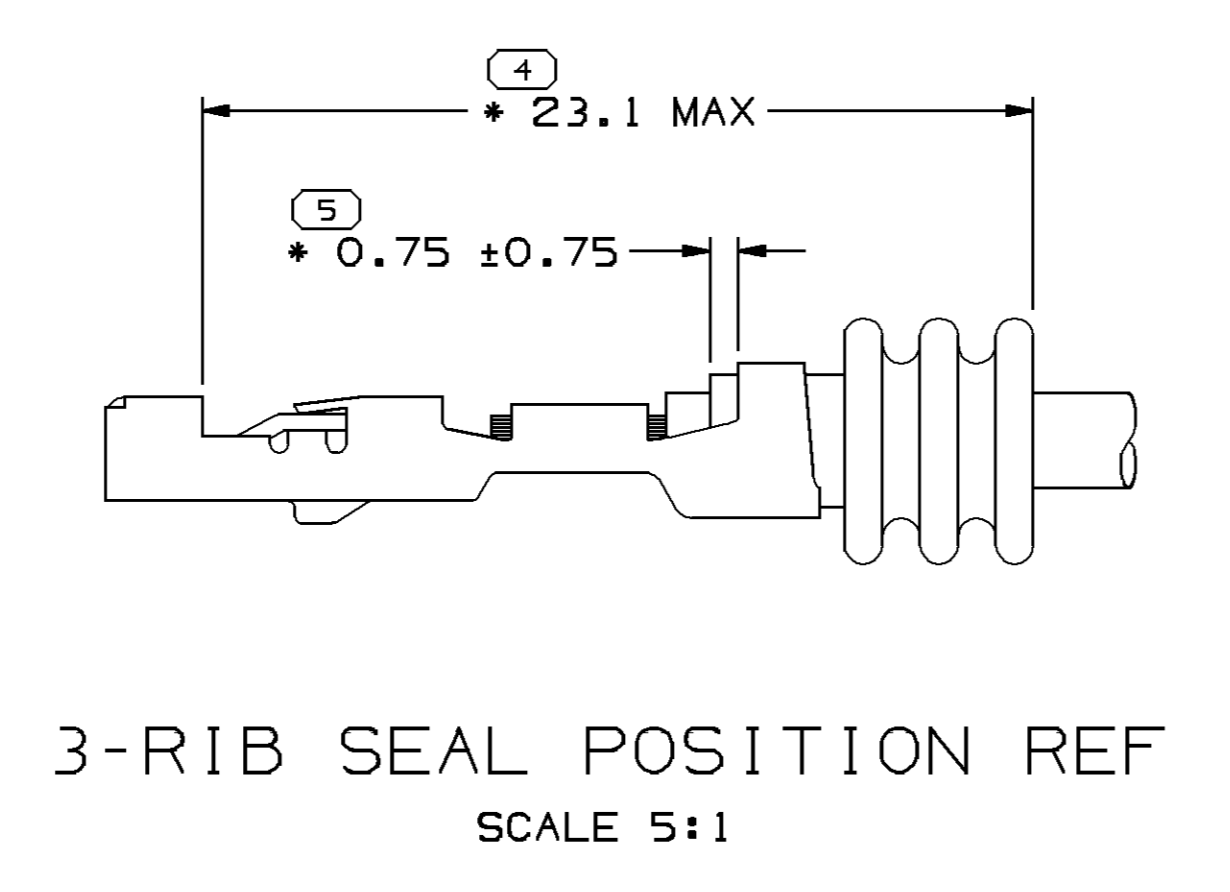
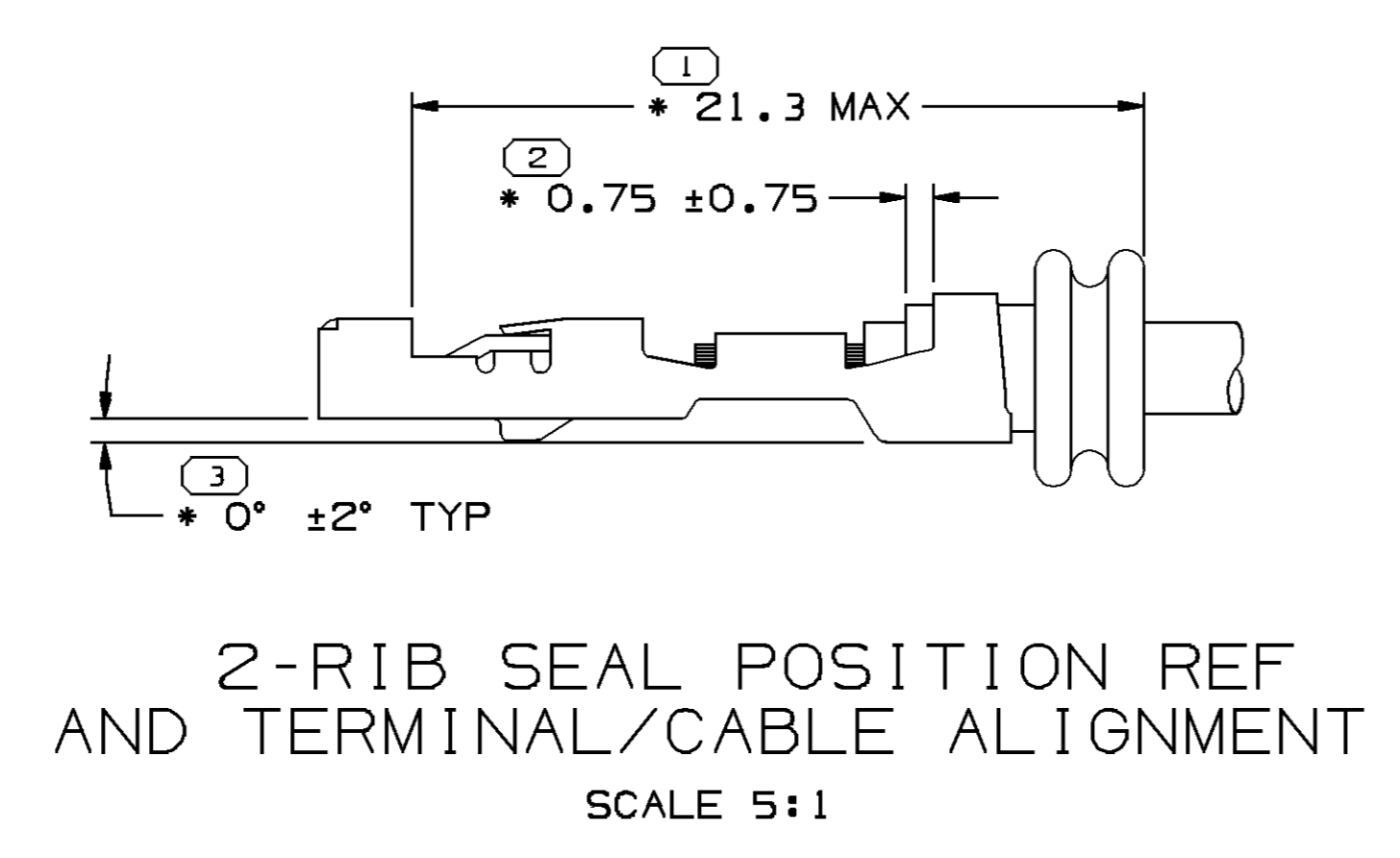
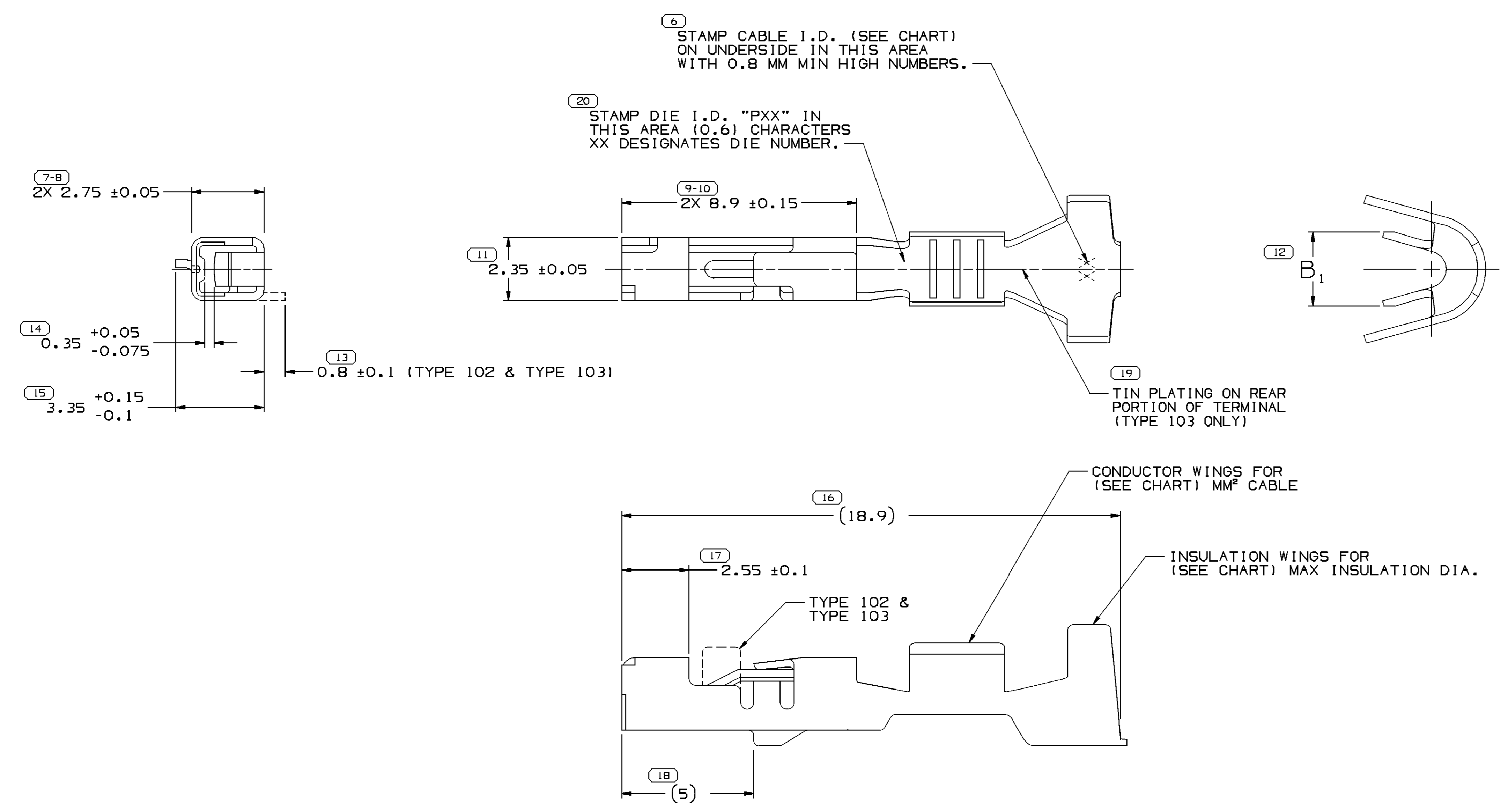


SYMBOL DEFINITION		MISSING NUMBERS		DWG STATUS		ZONE		REVISION HISTORY		AUTH		DR		AP/D	
A DIMENSION WITHOUT AN INSPECTION REPORT SYMBOL DOES NOT REQUIRE INSPECTION. IT MAY BE CONTROLLED ON AN INDIVIDUAL COMPONENT DRAWING.	TOTAL NO. OF SYMBOLS ON DRAWING	18		DATE	STG	REV	N/P	CHG							
	LAST NO. USED	20		30JUL02	R	05	-	-	CLEARED REV COLUMN & ALL PARTS - UPDATED PDM ATTRIBUTES	226419	EVV	EVV	TTP		
				06JUN03	R	06	-	-	15454820 - WAS ON SHT 3	240417	MRF	JOS	MLP		
				09JUN03	R	07	-	-	"SHEET 1 OF 5" WAS "SHEET 1 OF 4"	241567	AMG	AMG	RF		
				01AUG03	R	08	-	-	15454820 - UPDATED PDM ATTRIBUTES	242893	ADK	ADK	MLP		
				13FEB04	R	09	-	-	15454820 - UPDATED PDM ATTRIBUTES	251748	ADK	ADK	MLP		
				16AUG04	R	10	-	-	ADDED TERMINAL I.D. NOTE; REMOVED "PXX" FROM GRAPHICS	258116	TSH	TSH	RF		
				16MAY05	R	11	-	-	ALL APPLICABLE PARTS - MAT'L SPEC M3659A23 WAS PM003659 A23; ALL PARTS - ADDED 3 COLUMNS TO CHART	268254	JS	JS	LN		
				30MAY06	R	12	-	-	15454820 - UPDATED PDM ATTRIBUTES	281105	TLD	TLD	MJC		



- NOTES
- UNLESS OTHERWISE SPECIFIED AND/OR INDICATED: DIMENSIONS ARE TO FACE OF VIEW SHOWN AND AUTOMATICALLY ROUNDED BY COMPUTER FOR INSPECTION. (SEE MATH MODEL FOR PRECISE DIMENSIONS.) FOR ALL OTHER DIMENSIONS NOT SHOWN BUT REQUIRED FOR TOOL BUILD, SEE MATH MODEL FOR PRECISE TOOL PATH DATA.
 - "*" DENOTES DIMENSIONS MADE AT CUT-OFF AND CRIMP DIE.
 - REFERENCE MATING COMPONENTS OR EQUIVALENT: TERMINAL - 15304704

PART NO	REV	N/P	STATUS	MAT'L SIZE	PLATED	CABLE	MAT'L SPEC	ID	DIA	TYPE	B _{10.2}	APPLICATION	TYPICAL CABLE SEAL OR EQUIVALENT	TYPICAL SEALING CAVITY CONF'G	REPLACED BY
15454820	01	AG		0.3 X 27.38		M4333HNB	C42500 EX HD	0.35 - 0.5	21	1.85 - 1.2	103	2.1	SEALED (150MP)	SEE TAXI 12010295	Ø 5.2 ROUND
15369261	01	AC	RESTRICTED	0.3 X 27.38		M3659A23	C42500 EX HD	1 - 1.5	15	2.4 - 1.9	101	2.95	SEALED (6T)	15366060	Ø 4 ROUND
15305350	C11		RESTRICTED	0.3 X 27.38		M3659A23	C42500 EX HD	0.75 - 0.8	18	2.02 - 1.7	101	2.65	SEALED (MINI)	15305351	3.2 X 4 OVAL
15305130	C11		RESTRICTED	0.3 X 27.38		M3659A23	C42500 EX HD	0.35 - 0.5	21	1.85 - 1.2	101	2.1	SEALED (MINI)	15366022	3.2 X 4 OVAL
15305038	C9		RESTRICTED	0.3 X 27.38		M3659A23	C42500 EX HD	0.75 - 1	17	2.25 - 1.7	102	2.65	SEALED (150MP)	SEE TAXI 12010295	Ø 5.2 ROUND
15305037	C9		RESTRICTED	0.3 X 27.38		M3659A23	C42500 EX HD	0.35 - 0.5	21	1.85 - 1.2	102	2.1	SEALED (150MP)	SEE TAXI 12010295	Ø 5.2 ROUND
12191819	D9			0.3 X 27.38		M3659A23	C42500 EX HD	0.75 - 1	17	2.25 - 1.7	101	2.65	SEALED (6T)	15366060	Ø 4 ROUND
12191818	E9			0.3 X 27.38		M3659A23	C42500 EX HD	0.35 - 0.5	21	1.85 - 1.2	101	2.1	SEALED (6T)	15366021	Ø 4 ROUND
12191817	D9			0.3 X 27.38		M3659A23	C42500 EX HD	0.75 - 1	17	2.25 - 1.7	101	2.65	SEALED (150MP)	SEE TAXI 12010295	Ø 5.2 ROUND
12191816	D9			0.3 X 27.38		M3659A23	C42500 EX HD	0.35 - 0.5	21	1.85 - 1.2	101	2.1	SEALED (150MP)	SEE TAXI 12010295	Ø 5.2 ROUND

DWG TYPE: PART DRAWING

STYLE: D

VOLUME 10/11 DISTR CODE: D

UNLESS OTHERWISE SPECIFIED THIS DOCUMENT IS IN ACCORDANCE WITH ASME Y14.5M-1994 AS MODIFIED BY THE IN-SITU DIMENSIONING AND TOLERANCE ADDENDUMS. SEPARATE NOTATIONS OF FEATURES MAY BE OBTAINED SEPARATELY PER DELPHI DRAWING CHART

ALL DIMENSIONS ARE IN MILLIMETERS

(11) PROCESS SENSITIVE DIMENSION

DIMENSIONS ENCLOSED IN () INDICATE REFERENCE DIMENSIONS AND NO TOLERANCE LIMITS ARE ESTABLISHED

DIMENSIONAL RANGE: DIM: CHART: D

FROM: 0 TO: 12 >12

TOLERANCE UNLESS OTHERWISE SPECIFIED: ±0.1 ±0.2

ANGULAR TOLERANCE: 2°

THIRD ANGLE PROJECTION

DO NOT SCALE USE MATH DATA

DELPHI

DELPHI

DELPHI PACKARD ELECTRIC SYSTEMS
WREN, OH

DR	J. VILLAMIL	DATE	07DE95
AP/D1	J. VILLAMIL		07DE95
AP/D2	MANUEL VEGA		08DE95
AP/D3	ERIC HSIEH		01AP96
AP/D4			
AP/D5			

SUBSTANCES OF CONCERN AND RECYCLED CONTENT PER DELPHI 10949001

DRAWING NAME: TAXI TERM F 6T 150

DRAWING NUMBER: 12191815

SIZE: A0 SCALE: 10:1 FRAME NO: 1 OF 1 SHEET NO: 5 REV: N/P

Date: 31-May-06 Time: 08:35