

1546551-4 ✓ ACTIVE

Buchanan

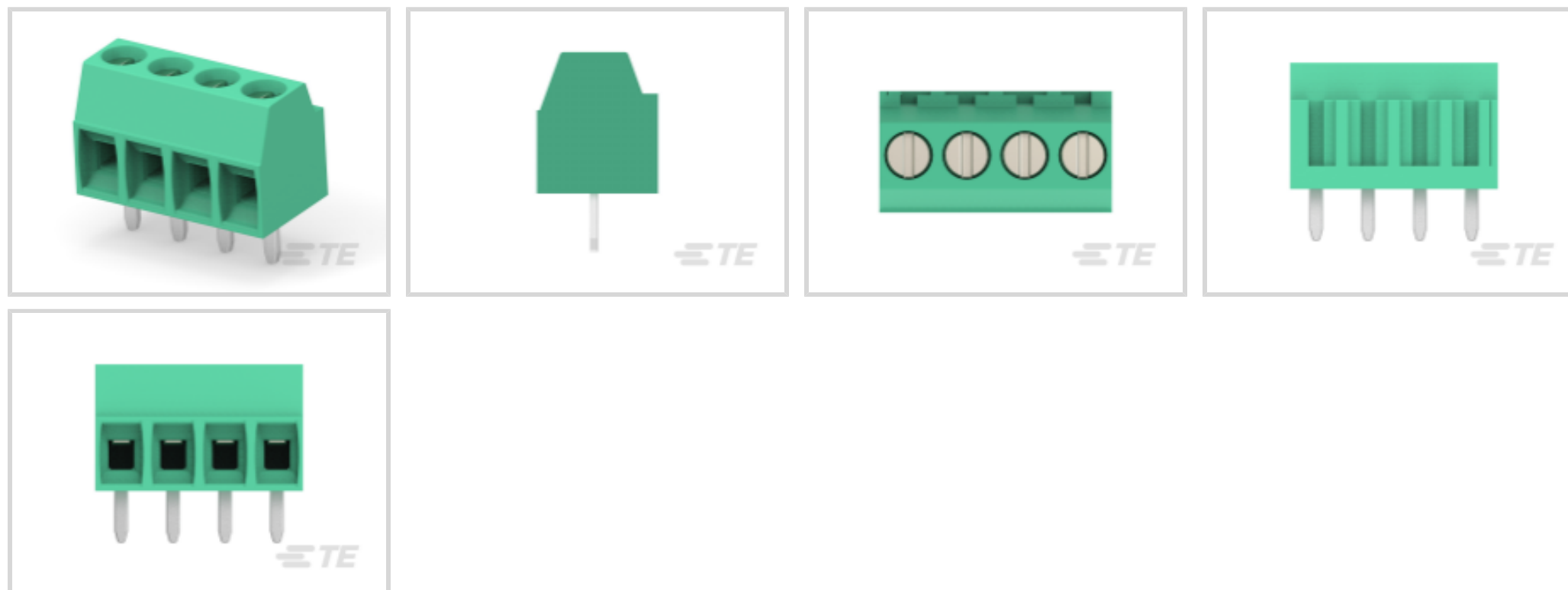
TE Internal #: 1546551-4

PCB Terminal Blocks, Header, Wire-to-Board, 4 Position, .138 in [3.5 mm] Centerline, 1 Row, Side Wire Entry Angle, 28 – 16 AWG Wire Size

[View on TE.com >](#)



Connectors > Terminal Blocks & Strips > PCB Terminal Blocks



Terminal Block Connector Type: **Header**

Connector System: **Wire-to-Board**

Number of Positions: **4**

Centerline (Pitch): **3.5 mm [.138 in]**

Number of Rows: **1**

Features

Product Type Features

Wire Protection	With
Block Type	Straight
Terminal Block Connector Type	Header
Connector System	Wire-to-Board
Connector & Contact Terminates To	Printed Circuit Board

Configuration Features

Threaded Flange	Without
Stacked Levels	Without
Closed End	With
Stacking Configuration	Side Stackable
Number of Positions	4
Number of Rows	1
Wire Entry Angle	Side

Electrical Characteristics



Current Rating (Max)	12 A
Voltage Rating	300 VAC

Contact Features

Contact Mating Area Plating Material	Tin
Contact Mount	Through Hole
Contact Base Material	Copper Alloy
Contact Current Rating (Max)	12 A

Mechanical Attachment

Screwless Terminal Block	No
Mounting Angle	Vertical
Screw Size	M2
Screw Plating Material	Nickel
Screw Material	Copper Alloy
Screw Flange	With
Connector Mounting Type	Board Mount

Housing Features

Housing Color	Green
Housing Material	PA 66
Centerline (Pitch)	3.5 mm [.138 in]

Dimensions

PCB Tail Length	3.5 mm [.138 in]
Wire Size	.08 – 1.4 mm ²

Usage Conditions

Operating Temperature Range	-40 – 110 °C [-40 – 230 °F]
-----------------------------	-----------------------------

Operation/Application

Circuit Application	Power & Signal
---------------------	----------------

Packaging Features

Packaging Method	Tray
------------------	------

Product Compliance

For compliance documentation, visit the product page on [TE.com](https://www.te.com)>

EU RoHS Directive 2011/65/EU	Compliant with Exemptions
------------------------------	---------------------------



EU ELV Directive 2000/53/EC

Compliant with Exemptions

China RoHS 2 Directive MIIT Order No 32, 2016

Restricted Materials Above Threshold

EU REACH Regulation (EC) No. 1907/2006

Current ECHA Candidate List: JUNE 2022 (224)

Candidate List Declared Against: JAN 2022 (223)

SVHC > Threshold:

Pb (3% in Component Part)

Article Safe Usage Statements:

Do not eat, drink or smoke when using this product. Wash thoroughly after handling. Recycle if possible and dispose of the article by following all applicable governmental regulations relevant to your geographic location.

Halogen Content

Low Halogen - Br, Cl, F, I < 900 ppm per homogenous material. Also BFR/CFR/PVC Free

Solder Process Capability

Wave solder capable to 240°C

Product Compliance Disclaimer

This information is provided based on reasonable inquiry of our suppliers and represents our current actual knowledge based on the information they provided. This information is subject to change. The part numbers that TE has identified as EU RoHS compliant have a maximum concentration of 0.1% by weight in homogenous materials for lead, hexavalent chromium, mercury, PBB, PBDE, DBP, BBP, DEHP, DIBP, and 0.01% for cadmium, or qualify for an exemption to these limits as defined in the Annexes of Directive 2011/65/EU (RoHS2). Finished electrical and electronic equipment products will be CE marked as required by Directive 2011/65/EU. Components may not be CE marked. Additionally, the part numbers that TE has identified as EU ELV compliant have a maximum concentration of 0.1% by weight in homogenous materials for lead, hexavalent chromium, and mercury, and 0.01% for cadmium, or qualify for an exemption to these limits as defined in the Annexes of Directive 2000/53/EC (ELV). Regarding the REACH Regulation, the information TE provides on SVHC in articles for this part number is based on the latest European Chemicals Agency (ECHA) 'Guidance on requirements for substances in articles' posted at this URL: <https://echa.europa.eu/guidance-documents/guidance-on-reach>

Compatible Parts



TE Part # 1776112-4
4P, 2.60MM, SIDE ENTRY, HIGH TMP



TE Part # 284391-4
TERMI-BLOK PCB SIDE ENTRY STAC

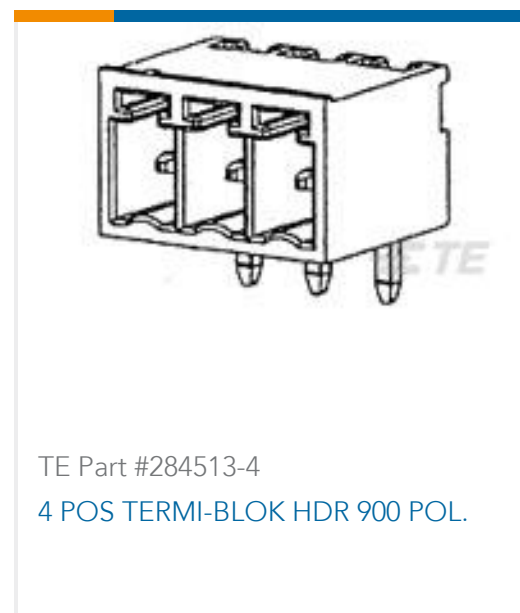
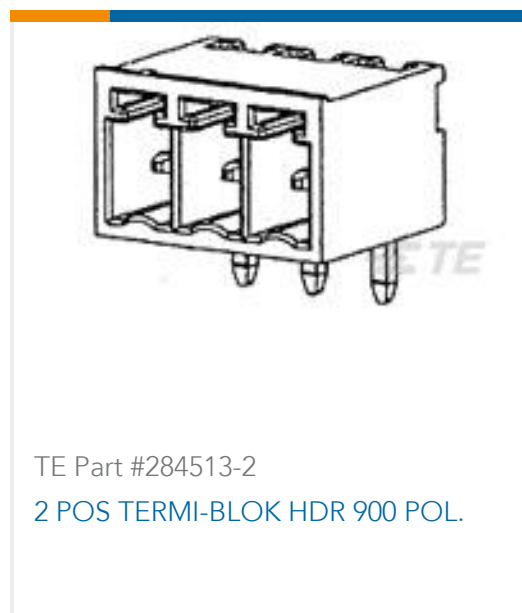
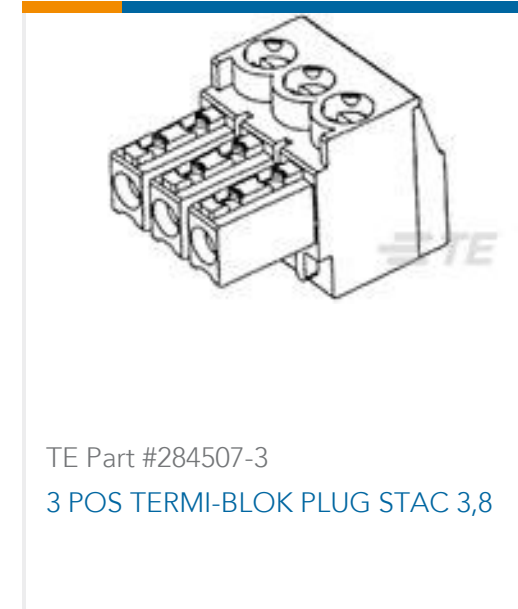
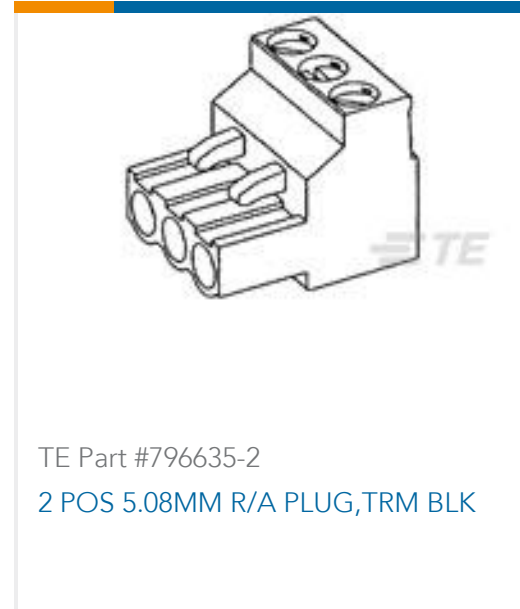
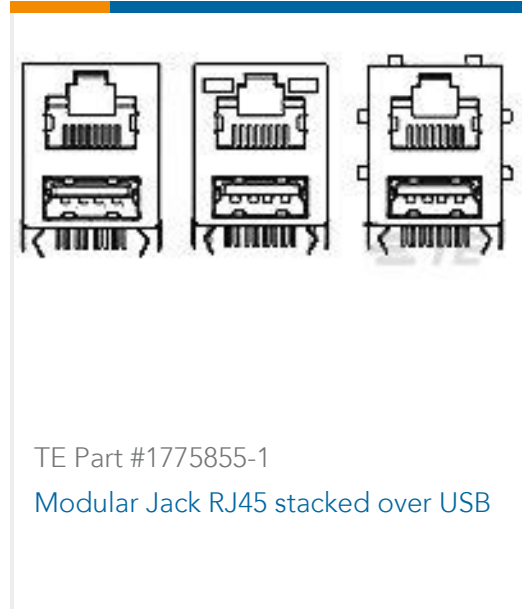
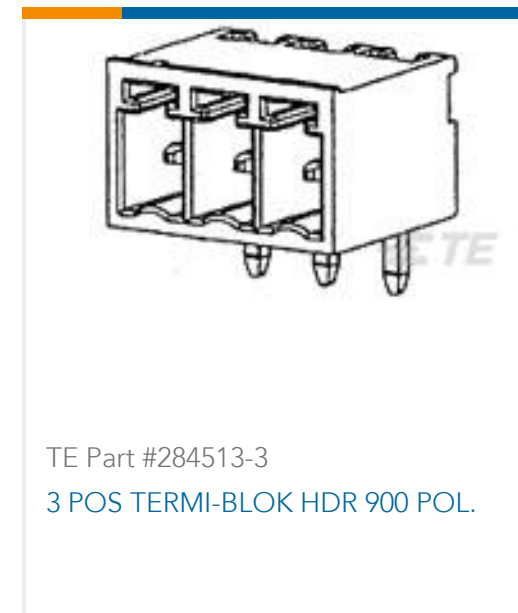
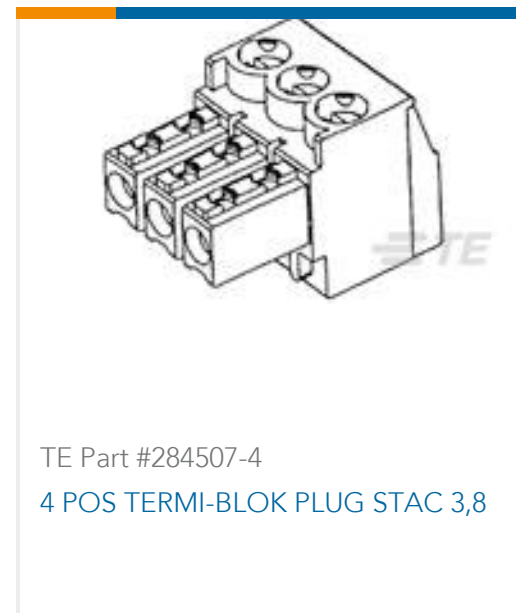
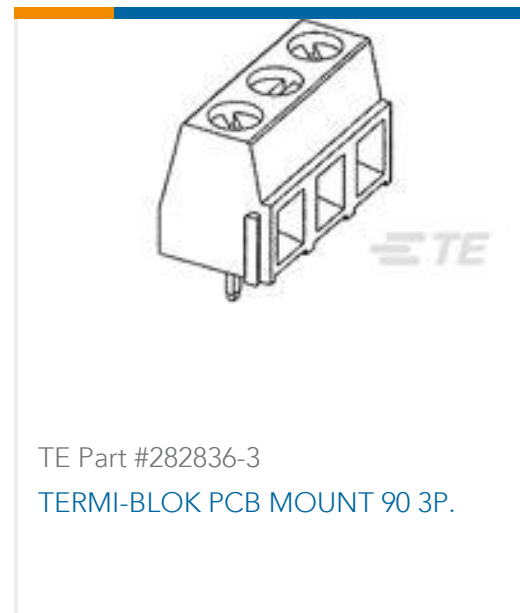
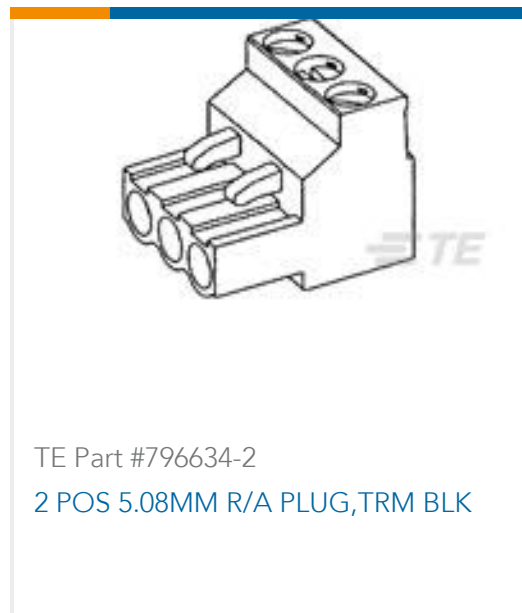


TE Part # 1986974-4
STRAIGHT SIDE ENTRY 3.5MM
MODULAR 4 POS



TE Part # 2-284391-8
TERMI-BLOK PCB SIDE ENTRY STAC
4 posn cl

Customers Also Bought



Documents

Product Drawings

4P, STRAIGHT, SIDE ENTRY, 3.5MM

English

CAD Files

3D PDF

3D

Customer View Model

[ENG_CVM_CVM_1546551-4_B.2d_dxf.zip](#)

English

Customer View Model

[ENG_CVM_CVM_1546551-4_B.3d_igs.zip](#)

English

Customer View Model

[ENG_CVM_CVM_1546551-4_B.3d_stp.zip](#)

English

By downloading the CAD file I accept and agree to the [Terms and Conditions](#) of use.

Datasheets & Catalog Pages



[1-1773458-1_EURO_STYLE_TERMINAL_BLOCKS_QRG](#)

English

Product Specifications

[Application Specification](#)

English

Product Environmental Compliance

[Product Compliance](#)

English

[Product Compliance](#)

English