

151325-1 ✓ ACTIVE

FASTIN-FASTON | FASTIN-FASTON 250

TE Internal #: 151325-1

Crimp Terminal Housings, Receptacle, Receptacle, 11 Position,  
Straight, Natural, Nylon, Mating Alignment, FASTIN-FASTON 250

[View on TE.com >](#)



Terminals & Splices > Terminal Housings, Insulation Sleeves & Blocks > Crimp Terminal Housings



Terminal Type: **Receptacle**

Housing Type: **Receptacle**

Number of Positions: **11**

Terminal Orientation: **Straight**

Primary Product Color: **Natural**

## Features

### Product Type Features

Product Type	Terminal Housing
Sealable	No
Housing Type	Receptacle
Insulated	No

### Configuration Features

Number of Positions	11
---------------------	----

### Body Features

Primary Product Color	Natural
-----------------------	---------

### Contact Features

Terminal Type	Receptacle
Terminal Orientation	Straight
Contact Mating Retention	Without

### Mechanical Attachment

Mating Alignment	With
------------------	------



## Crimp Terminal Housing Mounting Style

Cable Mount (Free-Hanging)

## Housing Features

Housing Material

Nylon

Centerline (Pitch)

9.5 mm, 10.54 mm[.374 in][.414 in]

## Dimensions

Length

29.6 mm[1.164 in]

## Usage Conditions

Operating Temperature Range

-40 – 105 °C[-40 – 221 °F]

## Packaging Features

Packaging Quantity

1000

Packaging Method

Carton

## Product Compliance

For compliance documentation, visit the product page on [TE.com](https://www.te.com)>

EU RoHS Directive 2011/65/EU

Compliant

EU ELV Directive 2000/53/EC

Compliant

China RoHS 2 Directive MIIT Order No 32, 2016

No Restricted Materials Above Threshold

EU REACH Regulation (EC) No. 1907/2006

Current ECHA Candidate List: JUNE 2022 (224)  
 Candidate List Declared Against: JAN 2022 (223)  
 SVHC > Threshold:  
 Not Yet Reviewed

Halogen Content

Low Halogen - Br, Cl, F, I < 900 ppm per homogenous material. Also BFR/CFR/PVC Free

Solder Process Capability

Not applicable for solder process capability

## Product Compliance Disclaimer

This information is provided based on reasonable inquiry of our suppliers and represents our current actual knowledge based on the information they provided. This information is subject to change. The part numbers that TE has identified as EU RoHS compliant have a maximum concentration of 0.1% by weight in homogenous materials for lead, hexavalent chromium, mercury, PBB, PBDE, DBP, BBP, DEHP, DIBP, and 0.01% for cadmium, or qualify for an exemption to these limits as defined in the Annexes of Directive 2011/65/EU (RoHS2). Finished electrical and electronic equipment products will be CE marked as required by Directive 2011/65/EU. Components may not be CE marked. Additionally, the part numbers that TE has identified as EU ELV compliant have a maximum concentration of 0.1% by weight in homogenous materials for lead, hexavalent chromium, and mercury, and 0.01% for cadmium, or qualify for an exemption to these limits as defined in the Annexes of Directive 2000/53/EC (ELV). Regarding the REACH Regulation, the information TE provides on SVHC in articles for this part number is based on the latest European Chemicals Agency (ECHA) 'Guidance on requirements for substances in articles' posted at this URL: <https://echa.europa.eu/guidance-documents/guidance-on-reach>

## Compatible Parts



TE Part # 626213-1  
FASTIN-ON 0.312 FLAG REC NYLON 6.6



TE Part # 170258-2  
FF 250 REC 14-12AWG TPBR REREELING



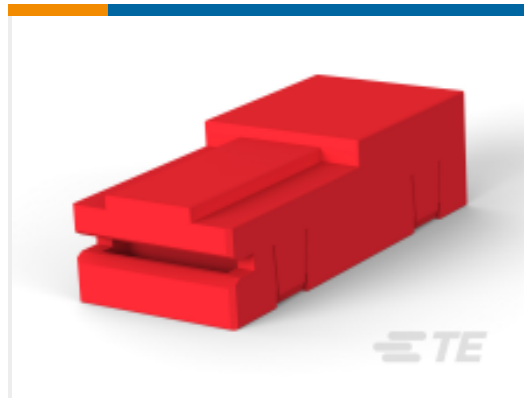
TE Part # 170258-1  
FF 250 REC 14-12AWG BR REREELING



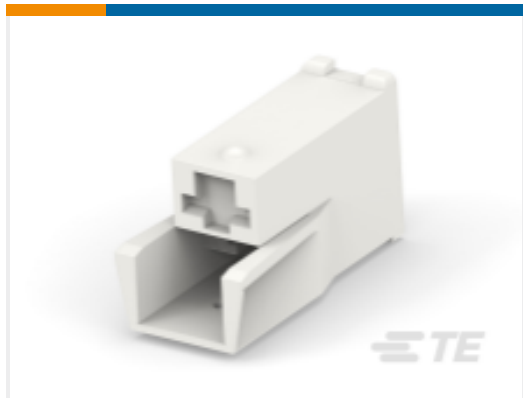
TE Part # 1-626040-0  
RELY BASE MOLDING 5W POLYPROPYLENE



TE Part # 1-172131-1  
FF 250 REC HSG 3P NYLON NAT



TE Part # 1982857-1  
FASTON HOUSING



TE Part # 880097-1  
2 WAY FASTIN ON HSG



TE Part # 880103-1  
5 WAY FASTIN ON HSG



TE Part # 880107-2  
HOUSING 8P .110 FASTON



TE Part # 880191-1  
5W FASTIN-ON REC. H

## Also in the Series | FASTIN-FASTON 250



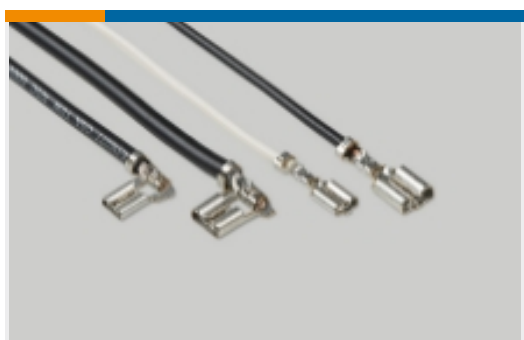
Crimp Terminal Housings(218)



Insertion & Extraction Tools(2)



PCB Terminals(2)



Quick Disconnects(255)

## Customers Also Bought



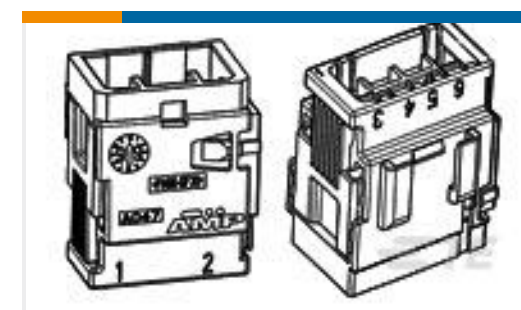
TE Part #7957790001  
TMS-SCE-1K-3/16-2.0-4



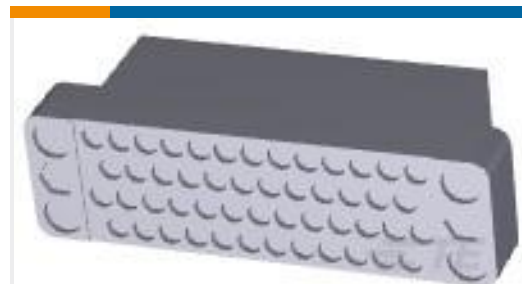
TE Part #7-1625890-4  
2W SM M/OX 5% 2K7



TE Part #3-2176345-5  
CRGCO 1210 6K8 1%



TE Part #282994-3  
TAB CONN. NEW GEN. F. TRUCK



TE Part #201358-1  
MALE BLOCK 50 PL. SER. "M"



TE Part #1241965-2  
STD TIMER HOUSING 2POS



TE Part #180351-3  
FF 250 REC 4-6MM2 PB



TE Part #163554-6  
MATENLOK SOCKET

## Documents

### Product Drawings

[FF 250 REC HSG 11P NYLON NAT](#)

English

### CAD Files

[3D PDF](#)

3D

Customer View Model

[ENG\\_CVM\\_CVM\\_151325-1\\_G.2d\\_dxf.zip](#)

English

Customer View Model

[ENG\\_CVM\\_CVM\\_151325-1\\_G.3d\\_igs.zip](#)

English

Customer View Model

[ENG\\_CVM\\_CVM\\_151325-1\\_G.3d\\_stp.zip](#)

English

By downloading the CAD file I accept and agree to the [Terms and Conditions](#) of use.

### Datasheets & Catalog Pages

[White Paper: Nylon Discoloration](#)

English

### Product Specifications

[Application Specification](#)

English