

1546111-9 ✓ ACTIVE



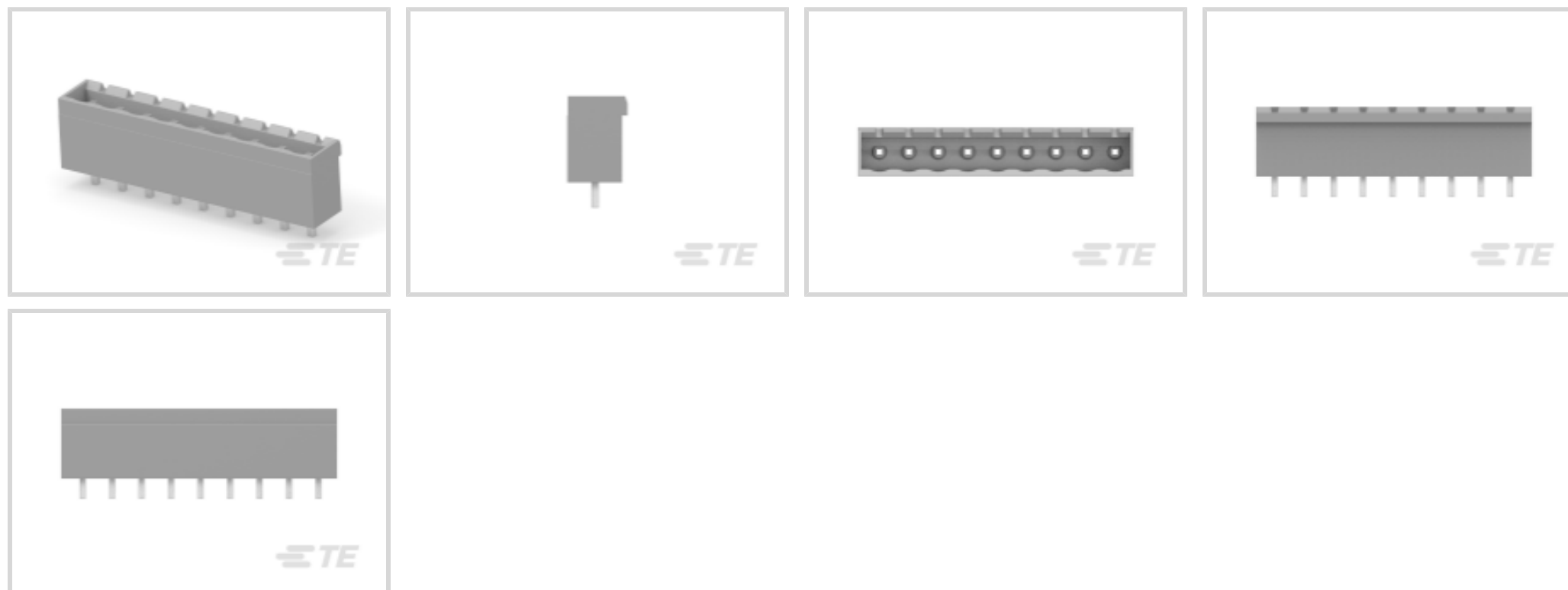
Buchanan

TE Internal #: 1546111-9

PCB Terminal Blocks, Header, Wire-to-Board, 9 Position, .2 in [5.08 mm] Centerline, 1 Row, 30 – 12 AWG Wire Size, 15 A, 300 VAC, Printed Circuit Board

[View on TE.com >](#)

Connectors > Terminal Blocks & Strips > PCB Terminal Blocks



Terminal Block Connector Type: **Header**

Connector System: **Wire-to-Board**

Number of Positions: **9**

Centerline (Pitch): **5.08 mm [ .2 in ]**

Number of Rows: **1**

## Features

### Product Type Features

Block Type	PCB Mount
Header Type	Fully Shrouded
Terminal Block Connector Type	Header
Connector System	Wire-to-Board
Connector & Contact Terminates To	Printed Circuit Board

### Configuration Features

Threaded Flange	Without
Closed End	With
Number of Positions	9
Number of Rows	1

### Electrical Characteristics

Current Rating (Max)	15 A
Voltage Rating	300 VAC

### Body Features



Interlock	Without
Color	Gray

### Contact Features

Contact Mating Area Plating Material	Tin
Contact Mount	Through Hole
Pin Length	3.5 mm
Contact Base Material	Copper Alloy
Contact Current Rating (Max)	15 A

### Mechanical Attachment

Screwless Terminal Block	No
Mounting Angle	Vertical
Screw Flange	Without
Connector Mounting Type	Board Mount

### Housing Features

Housing Color	Gray
Housing Material	PA 66
Centerline (Pitch)	5.08 mm [.2 in]

### Dimensions

PCB Tail Length	3.5 mm [.138 in]
Wire Size	30 – 12 AWG

### Usage Conditions

Operating Temperature Range	-40 – 105 °C [-40 – 221 °F]
-----------------------------	-----------------------------

### Operation/Application

Circuit Application	Power & Signal
---------------------	----------------

### Packaging Features

Packaging Quantity	100
--------------------	-----

### Product Compliance

For compliance documentation, visit the product page on [TE.com](https://www.te.com)>

EU RoHS Directive 2011/65/EU	Compliant
EU ELV Directive 2000/53/EC	Compliant



China RoHS 2 Directive MIIT Order No 32, 2016	No Restricted Materials Above Threshold
EU REACH Regulation (EC) No. 1907/2006	Current ECHA Candidate List: JUNE 2022 (224) Candidate List Declared Against: JUN 2018 (191) SVHC > Threshold: Not Yet Reviewed
Halogen Content	Low Halogen - Br, Cl, F, I < 900 ppm per homogenous material. Also BFR/CFR/PVC Free
Solder Process Capability	Wave solder capable to 265°C

Product Compliance Disclaimer

This information is provided based on reasonable inquiry of our suppliers and represents our current actual knowledge based on the information they provided. This information is subject to change. The part numbers that TE has identified as EU RoHS compliant have a maximum concentration of 0.1% by weight in homogenous materials for lead, hexavalent chromium, mercury, PBB, PBDE, DBP, BBP, DEHP, DIBP, and 0.01% for cadmium, or qualify for an exemption to these limits as defined in the Annexes of Directive 2011/65/EU (RoHS2). Finished electrical and electronic equipment products will be CE marked as required by Directive 2011/65/EU. Components may not be CE marked. Additionally, the part numbers that TE has identified as EU ELV compliant have a maximum concentration of 0.1% by weight in homogenous materials for lead, hexavalent chromium, and mercury, and 0.01% for cadmium, or qualify for an exemption to these limits as defined in the Annexes of Directive 2000/53/EC (ELV). Regarding the REACH Regulation, the information TE provides on SVHC in articles for this part number is based on the latest European Chemicals Agency (ECHA) 'Guidance on requirements for substances in articles' posted at this URL: <https://echa.europa.eu/guidance-documents/guidance-on-reach>

### Compatible Parts



TE Part # 796636-9  
9POS 5.08MM CE VRT HDR, TRM BLK




TE Part # 1546122-9  
EUROSTYLE 9 POS VERT PLUG STCK

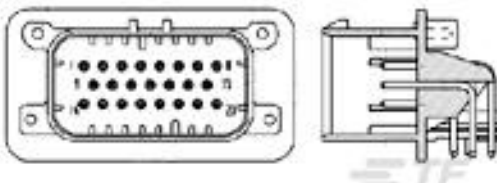
### Customers Also Bought



TE Part #1-1879441-3  
TE 50W 10R 5% Bracket



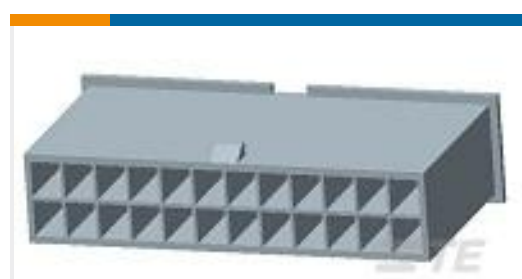
TE Part #D37717-000  
222D121-4/86-0



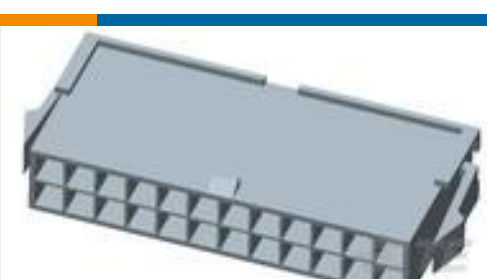
TE Part #1-770669-5  
23P AMPSEAL ASSY SNAP-IN GOLD



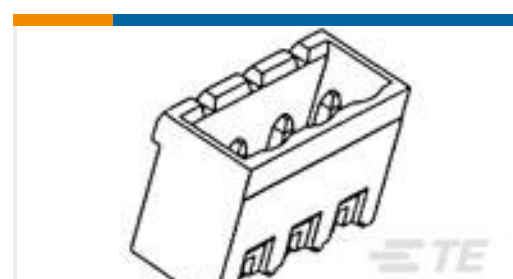
TE Part #3-6474612-3  
FSN-21.5A-16



TE Part #1-1969598-8  
18P FH PLUG VAL-U-LOK V2



TE Part #2-1969605-2  
22P PM PLUG VAL-U-LOK PM GW



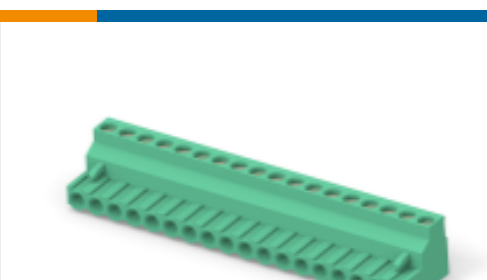
TE Part #1-1546111-9  
EUROSTYLE TB,HEADER,GREY,19POS



TE Part #2029451-1  
06P UMNL SOK HDR ASSY W/O DRNS



TE Part #4-796635-2  
17 POS 5.08MM R/A PLUG,TRM BLK



TE Part #6-796634-8  
18 POS 5.08MM R/A PLUG,TRM BLK

## Documents

### Product Drawings

[EUROSTYLE TB,HEADER,GREY,9 POS](#)

English

### CAD Files

[3D PDF](#)

3D

Customer View Model

[ENG\\_CVM\\_CVM\\_1546111-9\\_A.2d\\_dxf.zip](#)

English

Customer View Model

[ENG\\_CVM\\_CVM\\_1546111-9\\_A.3d\\_igs.zip](#)

English

Customer View Model

[ENG\\_CVM\\_CVM\\_1546111-9\\_A.3d\\_stp.zip](#)

English

By downloading the CAD file I accept and agree to the [Terms and Conditions](#) of use.

### Datasheets & Catalog Pages

[BUCHANAN TERMINAL BLOCKS CATALOG - EUROSTYLE TERMINAL BLOCKS](#)

English

[1-1773458-1\\_EURO\\_STYLE\\_TERMINAL\\_BLOCKS\\_QRG](#)

English

### Product Specifications

[Application Specification](#)

English

1546111-9

PCB Terminal Blocks, Header, Wire-to-Board, 9 Position, .2 in [5.08 mm] Centerline, 1 Row, 30 – 12 AWG Wire Size, 15 A, 300 VAC, Printed Circuit Board

