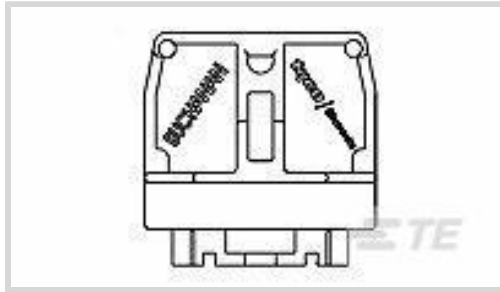




Connectors > Terminal Blocks & Strips > Terminal Block & Strip Accessories > Terminal Block & Strip Insulating Accessories



Insulating Accessory Type: **End Section Cover**  
 Compatible With Block or Strip Type: **Screw Clamp Terminal Blocks**  
 Connector & Contact Terminates To: **Wire & Cable**  
 Circuit Application: **Power & Signal**  
 Connector Mounting Type: **Panel Mount**

## Features

### Product Type Features

Insulating Accessory Type	End Section Cover
Connector & Contact Terminates To	Wire & Cable

### Mechanical Attachment

Connector Mounting Type	Panel Mount
-------------------------	-------------

### Usage Conditions

Operating Temperature Range	150 °C[302 °F]
-----------------------------	----------------

### Operation/Application

Compatible With Block or Strip Type	Screw Clamp Terminal Blocks
Circuit Application	Power & Signal

### Industry Standards

UL Flammability Rating	UL 94V-0
------------------------	----------

## Product Compliance

[For compliance documentation, visit the product page on TE.com>](#)

EU RoHS Directive 2011/65/EU	Compliant
EU ELV Directive 2000/53/EC	Compliant
China RoHS 2 Directive MIIT Order No 32, 2016	No Restricted Materials Above Threshold
EU REACH Regulation (EC) No. 1907/2006	Current ECHA Candidate List: JUNE 2022 (224)

Candidate List Declared Against: JUL 2021  
(219)  
SVHC > Threshold:  
Not Yet Reviewed

Halogen Content

Low Halogen - Br, Cl, F, I < 900 ppm per homogenous material. Also BFR/CFR/PVC Free

Solder Process Capability

Not applicable for solder process capability

Product Compliance Disclaimer

This information is provided based on reasonable inquiry of our suppliers and represents our current actual knowledge based on the information they provided. This information is subject to change. The part numbers that TE has identified as EU RoHS compliant have a maximum concentration of 0.1% by weight in homogenous materials for lead, hexavalent chromium, mercury, PBB, PBDE, DBP, BBP, DEHP, DIBP, and 0.01% for cadmium, or qualify for an exemption to these limits as defined in the Annexes of Directive 2011/65/EU (RoHS2). Finished electrical and electronic equipment products will be CE marked as required by Directive 2011/65/EU. Components may not be CE marked. Additionally, the part numbers that TE has identified as EU ELV compliant have a maximum concentration of 0.1% by weight in homogenous materials for lead, hexavalent chromium, and mercury, and 0.01% for cadmium, or qualify for an exemption to these limits as defined in the Annexes of Directive 2000/53/EC (ELV). Regarding the REACH Regulation, the information TE provides on SVHC in articles for this part number is based on the latest European Chemicals Agency (ECHA) 'Guidance on requirements for substances in articles' posted at this URL: <https://echa.europa.eu/guidance-documents/guidance-on-reach>

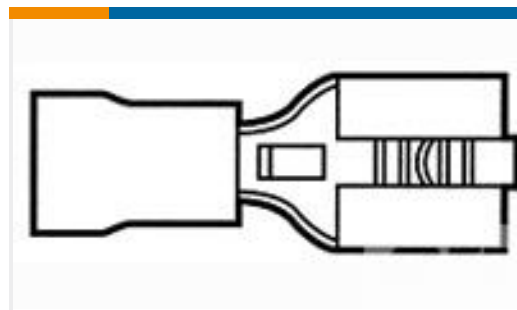
## Customers Also Bought



TE Part #34294  
TAB,PIDG 22-16



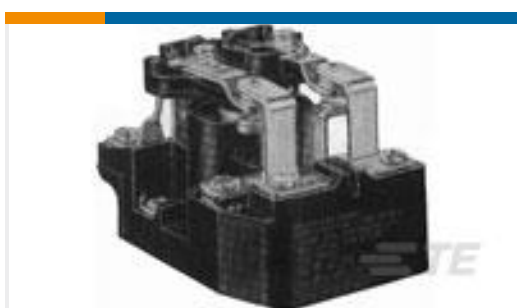
TE Part #6609047-1  
10VT1 M0=F7329



TE Part #640905-2  
RECEPT,PIDG FASTON 16-14 250



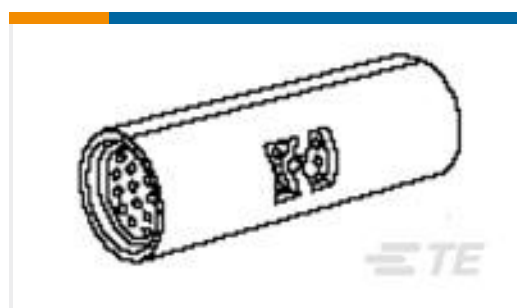
TE Part #1-480699-2  
02P UMNL CAP HSG RED



TE Part #1393127-9  
PRD-11AG0-120=PRD



TE Part #320863  
TERMINAL,PIDG SPD FLG 16-14 10



TE Part #51826  
SPLICE,COPALUM BUTT 8 12-10



TE Part #2174988-2  
SOCKET ASSY LGA2011-1 0.76um Au



## Documents

### Product Drawings

M.D. END SECTION,FLAT BASE

English

### CAD Files

Customer View Model

[ENG\\_CVM\\_CVM\\_1546163-1\\_H.2d\\_dxf.zip](#)

English

3D PDF

3D

Customer View Model

[ENG\\_CVM\\_CVM\\_1546163-1\\_H.3d\\_igs.zip](#)

English

Customer View Model

[ENG\\_CVM\\_CVM\\_1546163-1\\_H.3d\\_stp.zip](#)

English

By downloading the CAD file I accept and agree to the [Terms and Conditions](#) of use.

### Datasheets & Catalog Pages

[BUCHANAN NEMA Terminal Blocks - Catalogue](#)

English