



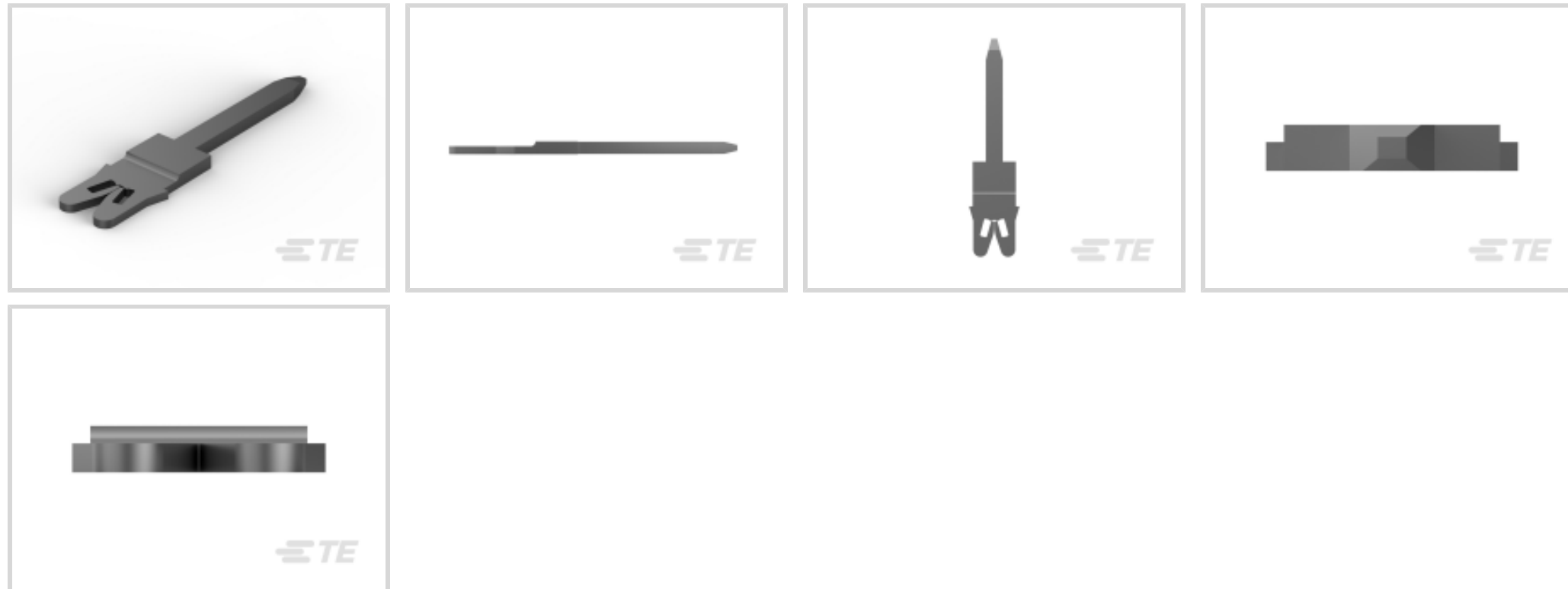
SIAMEZE

TE Internal #: 1601063-2

Magnet Wire Terminals, Solder Post, Mating Tab Width .059 in [1.5 mm], .16 – 1.02 mm Magnet Wire, 34 – 18 AWG Magnet Wire, SIAMEZE

[View on TE.com >](#)

Terminals & Splices > Magnet Wire Terminals



Magnet Wire Terminal Type: **Solder Post**

Mating Tab Width: **1.5 mm [ .059 in ]**

Mating Tab Thickness: **.81 mm [ .032 in ]**

Magnet Wire Size: **34 – 18 AWG**

**Features**

**Product Type Features**

Compatible With Discrete Wire Type	Magnet Wire, Solid
------------------------------------	--------------------

**Contact Features**

Magnet Wire Terminal Type	Solder Post
Mating Tab Width	1.5 mm[.059 in]
Mating Tab Thickness	.81 mm[.032 in]
Terminal Plating Material	Tin
Terminal Orientation	Straight

**Termination Features**

Termination Method to Wire & Cable	Insulation Displacement (IDC)
------------------------------------	-------------------------------

**Mechanical Attachment**

Contact Mating Retention Type	Barbs
-------------------------------	-------

**Dimensions**

Terminal Height	8.38 mm[.33 in]
Magnet Wire Size	34 – 18 AWG



Stock Thickness (Magnet Wire Side)	.64 mm[.025 in]
------------------------------------	-----------------

Overall Product Length	19.21 mm[.756 in]
------------------------	-------------------

**Usage Conditions**

Insulation Option	Uninsulated
-------------------	-------------

**Operation/Application**

Compatible With Wire Base Material	Copper
------------------------------------	--------

**Packaging Features**

Packaging Quantity	30000
--------------------	-------

Packaging Method	Reel
------------------	------

**Other**

Comment	Magnet wire 30 AWG or smaller also requires a wrap post per P/N 1601447, Magnet wire 30 AWG or smaller also requires a wrap post per Part Number 1601447, Recommended Pocket P/N 1601431
---------	--

**Product Compliance**

[For compliance documentation, visit the product page on TE.com>](#)

EU RoHS Directive 2011/65/EU	Compliant
------------------------------	-----------

EU ELV Directive 2000/53/EC	Compliant
-----------------------------	-----------

China RoHS 2 Directive MIIT Order No 32, 2016	No Restricted Materials Above Threshold
---	---

EU REACH Regulation (EC) No. 1907/2006	Current ECHA Candidate List: JUNE 2022 (224) Candidate List Declared Against: JAN 2022 (223) SVHC > Threshold: Not Yet Reviewed
--	--

Halogen Content	Low Halogen - Br, Cl, F, I < 900 ppm per homogenous material. Also BFR/CFR/PVC Free
-----------------	---

Solder Process Capability	Not applicable for solder process capability
---------------------------	--

Product Compliance Disclaimer

This information is provided based on reasonable inquiry of our suppliers and represents our current actual knowledge based on the information they provided. This information is subject to change. The part numbers that TE has identified as EU RoHS compliant have a maximum concentration of 0.1% by weight in homogenous materials for lead, hexavalent chromium, mercury, PBB, PBDE, DBP, BBP, DEHP, DIBP, and 0.01% for cadmium, or qualify for an exemption to these limits as defined in the Annexes of Directive 2011/65/EU (RoHS2). Finished electrical and electronic equipment products will be CE marked as required by Directive 2011/65/EU. Components may not be CE marked. Additionally, the part

numbers that TE has identified as EU ELV compliant have a maximum concentration of 0.1% by weight in homogenous materials for lead, hexavalent chromium, and mercury, and 0.01% for cadmium, or qualify for an exemption to these limits as defined in the Annexes of Directive 2000/53/EC (ELV). Regarding the REACH Regulation, the information TE provides on SVHC in articles for this part number is based on the latest European Chemicals Agency (ECHA) 'Guidance on requirements for substances in articles' posted at this URL: <https://echa.europa.eu/guidance-documents/guidance-on-reach>

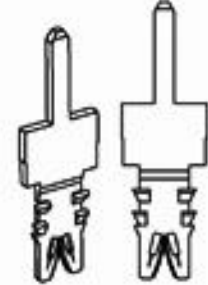
## Compatible Parts



TE Part # 1601172-2  
059 X 032 TAB STD SMZ TERM



TE Part # 2-1601171-2  
059 X 032 TAB STD SMZ TERM




TE Part # 293214-1  
1.5 SIAMEZE TAB CTC. FOR RAST 2,5 APPL.



TE Part # 1601431  
531-016-000= POCKET SPECIFICATION

## Also in the Series | SIAMEZE



Insertion & Extraction Tools(1)

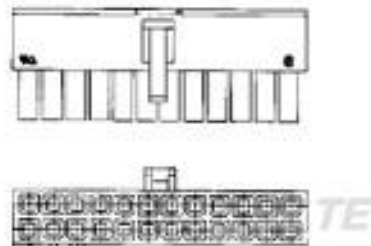


Magnet Wire Terminals(196)

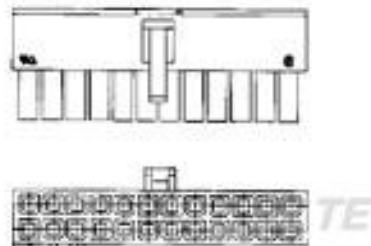
## Customers Also Bought



TE Part #205210-8  
PLUG ASSY SIZE 4



TE Part #1-794954-0  
10P RCPT VAL-U-LOK V2



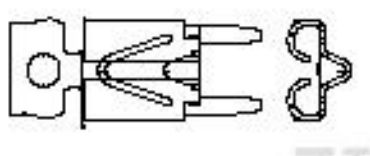
TE Part #794954-4  
4P RCPT VAL-U-LOK V2



TE Part #66570-3  
20DF PIN CONT. LP



TE Part #171822-2  
EIS REC. HSG 2P-NATURAL



TE Part #1217080-1  
FASTON 205/250 PCB MOUNTED TPBR



TE Part #170262-2  
EIS CONTACT



TE Part #2-1601002-2  
131-004-002=TAB,250X032,STD SMZ



## Documents

### Product Drawings

[131-129-021=TAB,059X032,STDSMZ](#)

English

### CAD Files

#### 3D PDF

3D

#### Customer View Model

[ENG\\_CVM\\_CVM\\_1601063-2\\_E.2d\\_dxf.zip](#)

English

#### Customer View Model

[ENG\\_CVM\\_CVM\\_1601063-2\\_E.3d\\_igs.zip](#)

English

#### Customer View Model

[ENG\\_CVM\\_CVM\\_1601063-2\\_E.3d\\_stp.zip](#)

English

#### Customer View Model

[ENG\\_CVM\\_1601063-2\\_D1.3d\\_igs.zip](#)

English

#### Customer View Model

[ENG\\_CVM\\_1601063-2\\_D1.3d\\_stp.zip](#)

English

#### Customer View Model

[ENG\\_CVM\\_1601063-2\\_D1.2d\\_dxf.zip](#)

English

#### 3D PDF

English

By downloading the CAD file I accept and agree to the [Terms and Conditions](#) of use.

### Datasheets & Catalog Pages

[1654742\\_HOUSEHOLD\\_APPLIANCES\\_RAST5](#)

English

### Magnet Wire Terminals & Splices

English

[1-1773702-7\\_IDC\\_Magnet\\_Wire](#)



English

---

**Product Specifications**

**Application Specification**

English

---

**Product Environmental Compliance**

**Product Compliance**

English

**Product Compliance**

English